

GENERAL TECHNICAL DATA

dimensions:

- height: 80 cm
- width: 52 cm
- depth: 52 cm

weight:

- using softwood 18 kg

materials:

- stainless or carbon steel
- hardwood or softwood

DESCRIPTION:

Welded construction combined with wooden planks. Welded construction of steel plates with a thickness of 3, 5 and 8 mm and a steel tube with a diameter of 80 mm, made of carbon steel s235Jr galvanised and powder-coated according to RAL palette or entirely of stainless steel 1.4301 ground. Table top using 6 boards 80 x 38 mm. Softwood impregnated and varnished twice, and hardwood impregnated and oiled twice.

All items of street furniture must be properly anchored according to the manufacturer's technical instructions. The manufacturer is not liable for damage caused by negligent use or failure to follow instructions.

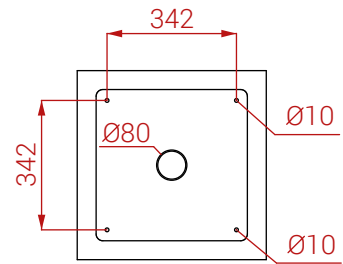


product: Table Scandik
13.046.1
designer: Iwona Żaczek

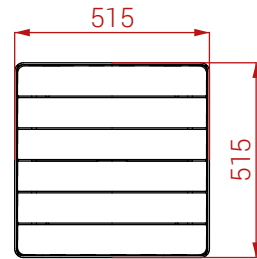
In accordance with the Polish Law on Copyright and Related Rights of 04.02.1994 (Official Journal of Laws No. 24, item 83, corrected: Journal of Laws No. 43, item 170) and in accordance with the EU copyright legislation including all EU directives and regulations on copyright, Zano Miroslaw Zarotyński Company, reserves the copyright of drawings, descriptions, 3D models, renderings, graphics, content contained in offers, attachments to offers and all other documents. Its content is the intellectual property of ZANO Miroslaw Zarotyński company. The use of author's ideas, solutions, copying, distribution of photos, graphics or fragments of graphics, descriptive texts, for profit, without the permission of the author - ZANO Miroslaw Zarotyński company - is prohibited and constitutes a copyright infringement and is punishable.

ISOMETRIC VIEW

MOUNTING HOLES SPACING



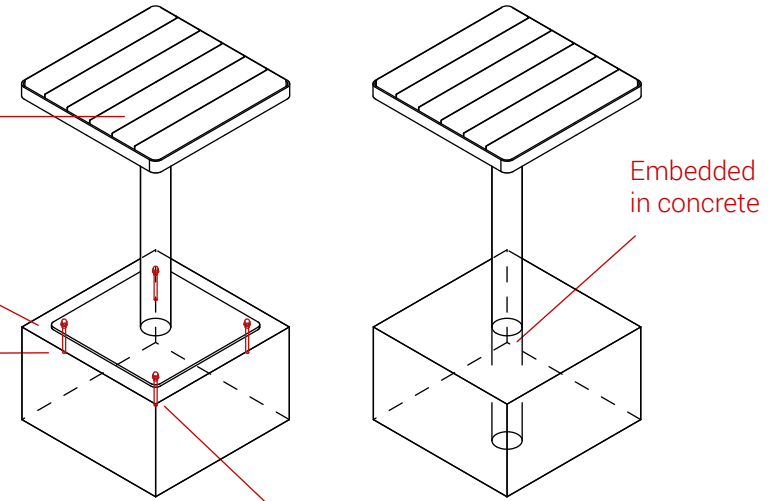
TOP VIEW



Wood types:
 - Softwood, lacquered
 - Hardwood, oiled

Exemplary concrete foundation

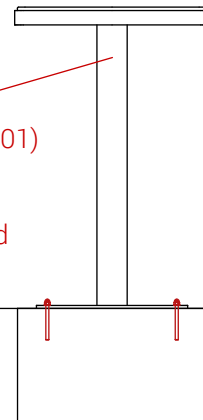
Installation:
 Attached by bolts to foundation



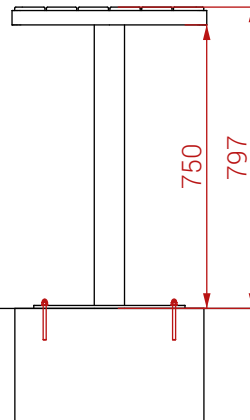
Embedded in concrete

Steel types:
 - Construction steel (S235JR, DC01) galvanized and powder coated according to RAL palette
 - Stainless steel (1.4301) brushed

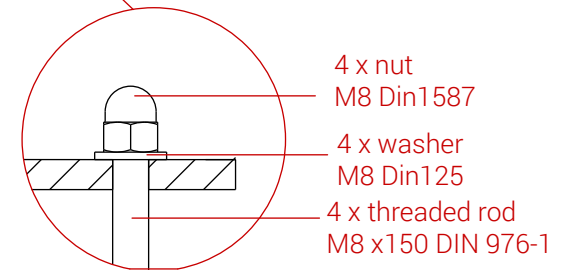
FRONT VIEW



SIDE VIEW



Ground level



Dimensions given in [mm]

Table Scandik 13.046.1

ZANO Street Furniture
 Lindego 7A, 30-148
 Cracow, Poland
 phone: +48 12 200 20 53
 email: office@zano.pl

Number: 011222-V1

Sheet: A4

Scale: 1:20

Mass: 18 kg

In accordance with the Polish Law on Copyright and Related Rights of 04.02.1994 (Official Journal of Laws No. 24, item 83, corrected: Journal of Laws No. 43, item 170) and in accordance with the EU copyright legislation including all EU directives and regulations on copyright, ZANO Mirosław Zarotyński Company, reserves the copyright of drawings, descriptions, 3D models, renderings, graphics, content contained in offers, attachments to offers and all other documents: its content is the intellectual property of ZANO Mirosław Zarotyński company. The use of author's ideas, solutions, copying, distribution of photos, graphics or fragments of graphics, descriptive texts, for profit, without the permission of the author - ZANO Mirosław Zarotyński company - is prohibited and constitutes a copyright infringement and is punishable.