



## GENERAL TECHNICAL DATA

### dimensions:

- height: 82 cm
- seat height: 45
- width: 154 cm
- depth: 52 cm

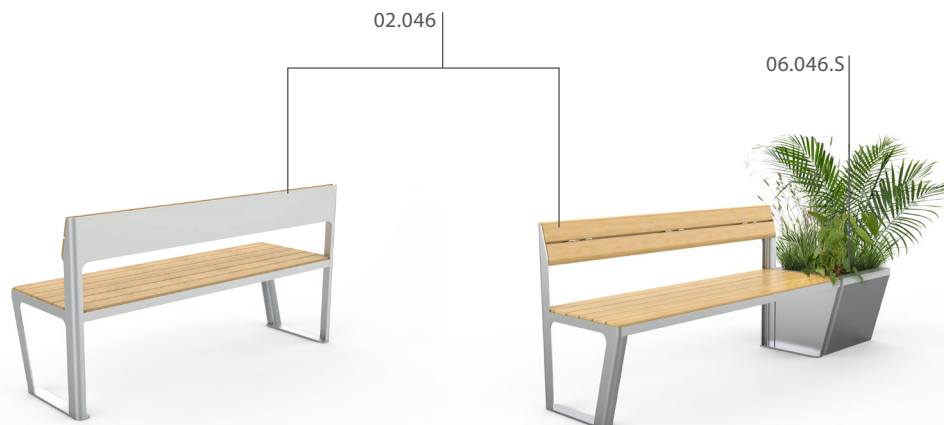
- weight:**
- using softwood 50 kg
  - using hardwood 67 kg

- materials:**
- stainless or carbon steel
  - hardwood or softwood

## DESCRIPTION

Welded construction combined with wooden planks. Construction weld of steel sheets 10 mm and 4 mm thick, in carbon steel s235Jr galvanised and powder coated according to RAL palette or wholly in stainless steel 1.4301 ground. Seat and backrest of the bench using wooden boards with rectangular section of 85 x 38 mm 10 boards and one corner of 38 x 38 section and 1800 mm long. The bench has 10 boards. Softwood impregnated and varnished twice or hardwood impregnated and oiled twice.

All street furniture must be properly anchored according to the manufacturer's technical instructions. The manufacturer shall not be liable for damage caused by negligent use or failure to follow the instructions.



ZANO  
SINCE 1992

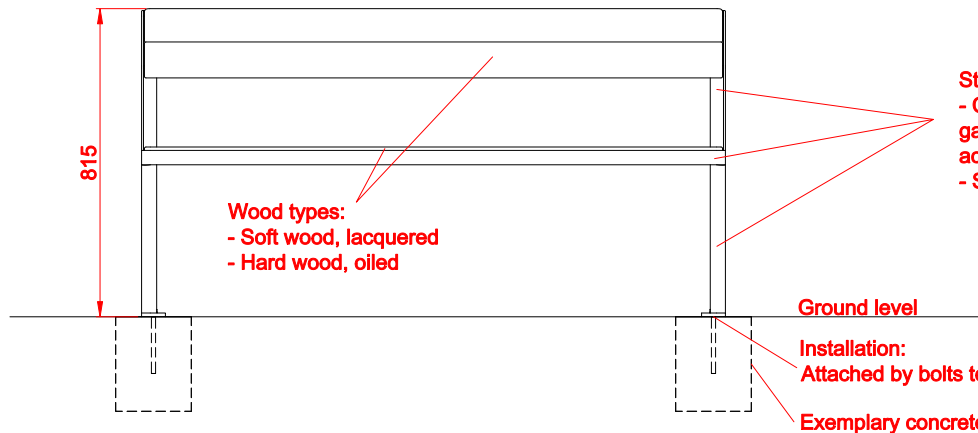


*Iwona Pieczara*

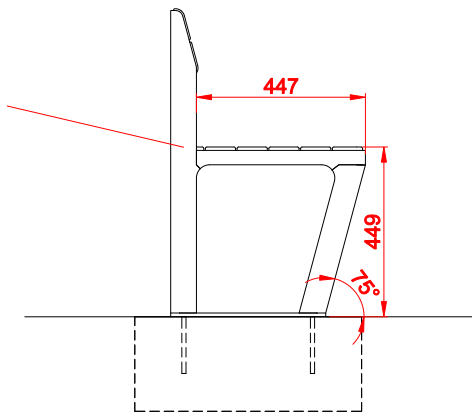
product:  
Scandik bench 02.046  
version: 1  
designer: Iwona Pieczara

In accordance with the Polish Law on Copyright and Related Rights of 04.02.1994 (Official Journal of Laws No. 24, item 83, corrected: Journal of Laws No. 43, item 170) and in accordance with the EU copyright legislation including all EU directives and regulations on copyright, Zano Mirosław Zarotyński Company, reserves the copyright of drawings, descriptions, 3D models, renderings, graphics, content contained in offers, attachments to offers and all other documents. Its content is the intellectual property of ZANO Mirosław Zarotyński company. The use of author's ideas, solutions, copying, distribution of photos, graphics or fragments of graphics, descriptive texts, for profit, without the permission of the author - ZANO Mirosław Zarotyński company - is prohibited and constitutes a copyright infringement and is punishable.

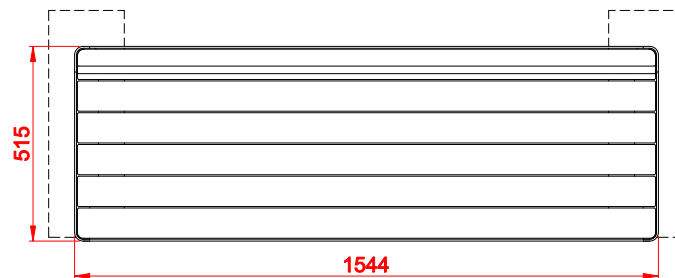
FRONT VIEW



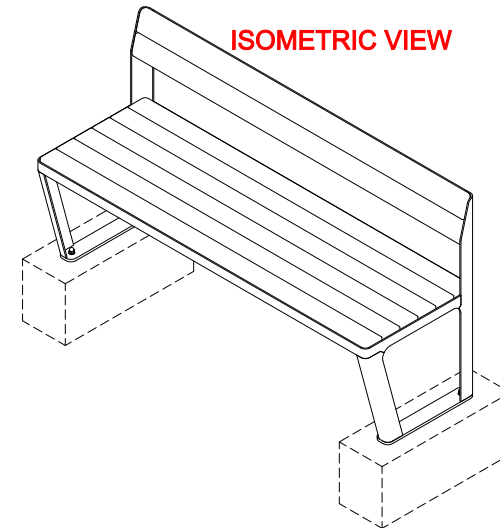
SIDE VIEW



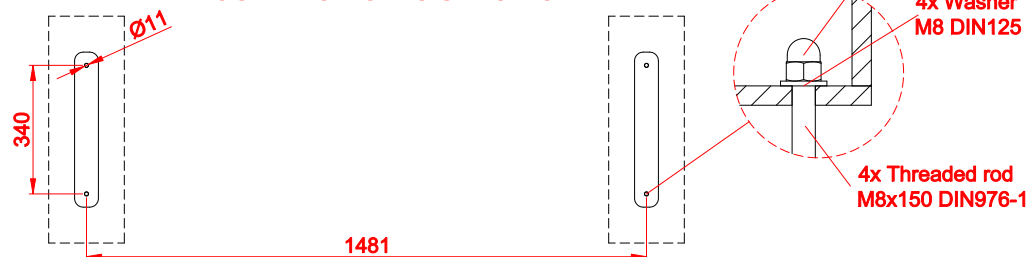
TOP VIEW




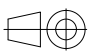
ISOMETRIC VIEW



MOUNTING HOLES SPACING



Dimensions given in [mm]

<b>Scandik Bench 02.046</b>		 <p>ZANO Street Furniture Lindego 7A, 30-148 Cracow, Poland phone: +48 12 200 20 53 email: office@zano.pl</p>
<p>In accordance with the Polish Law on Copyright and Related Rights of 04.02.1994 (Official Journal of Laws No. 24, item 83, corrected; Journal of Laws No. 43, item 170) and in accordance with the EU copyright legislation including all EU directives and regulations on copyright, Zano Miroslaw Zarotyński Company, reserves the copyright of drawings, descriptions, 3D models, renderings, graphics, content contained in others, attachments to offers and all other documents. Its content is the intellectual property of ZANO Miroslaw Zarotyński company. The use of author's ideas, solutions, copying, distribution of photos, graphics or fragments of graphics, descriptive texts, for profit, without the permission of the author - ZANO Miroslaw Zarotyński company - is prohibited and constitutes a copyright infringement and is punishable.</p>		
Number:	270220-v1	
Sheet:	A4	
Scale:	1:20	
Mass:	with soft wood	50 kg
	with hard wood	67 kg