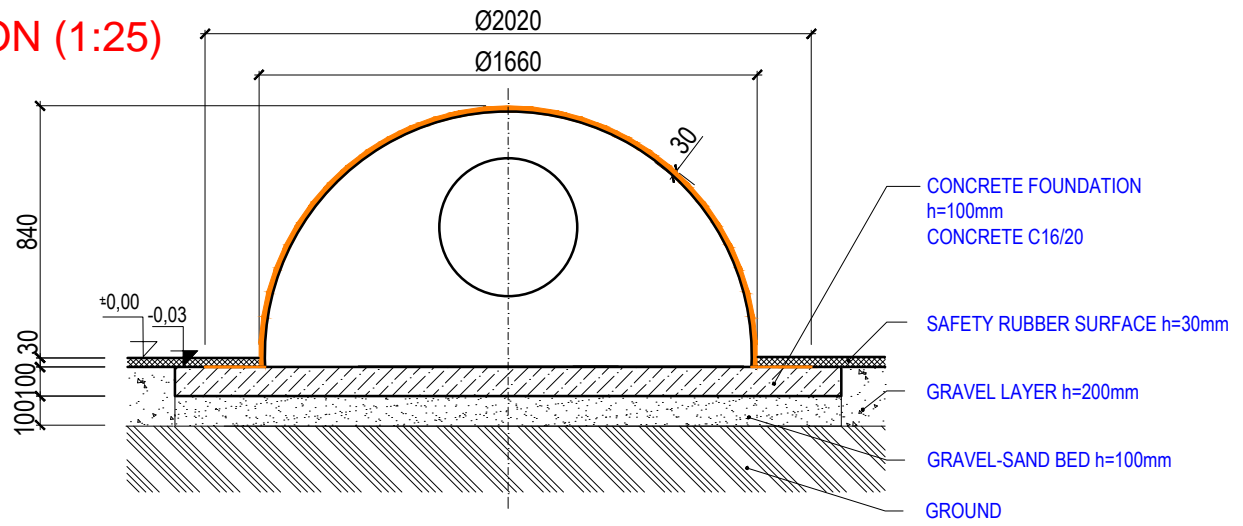
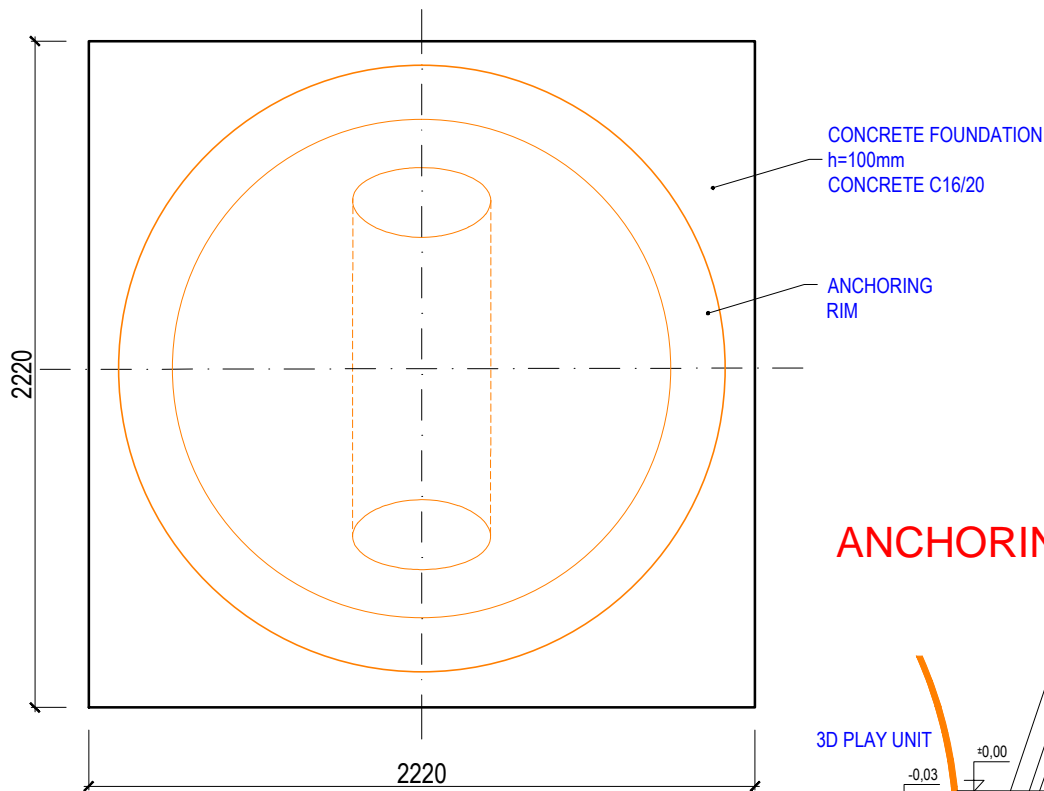


SECTION (1:25)

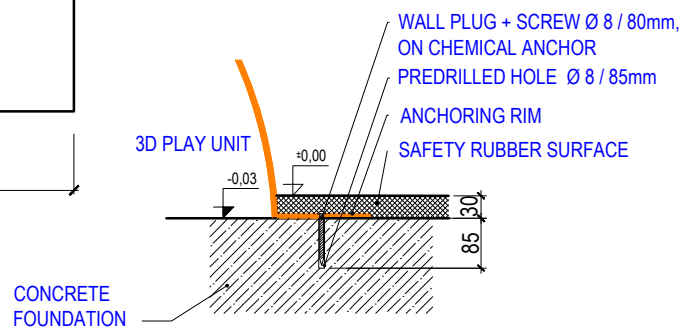


Tube can be either from PVC
or stainless steel as per customer's request

FOUNDATION GROUND PLAN (1:25)



ANCHORING DETAIL (1:10)



Author:

MgA. Maxmilián Blišťák

3D PROGRAM, s.r.o.

Objízdná 1911
765 02 Otrokovice, Czech Republic

Tel: +420 602 500 045

Email: info@3dprogram.eu



TECHNICAL DRAWING

Certified according to EN71 , EN1176

Date of issue 22.2.2021

E08p, E08s - HILL XL with tube

M 1:25, 1:10

format 1xA4

Foundation and anchoring - ground plan and section

E08_EN.dwg

revision 0