
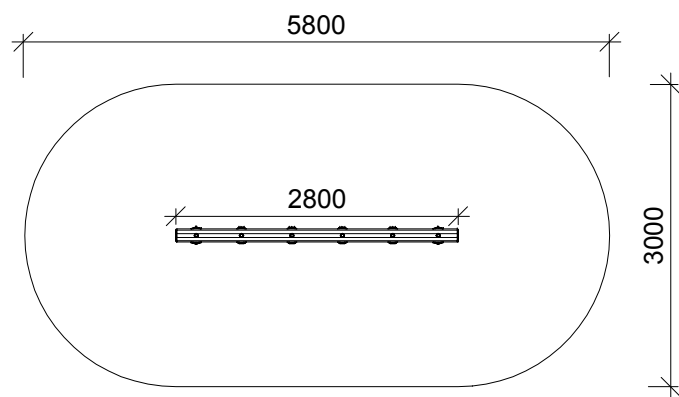
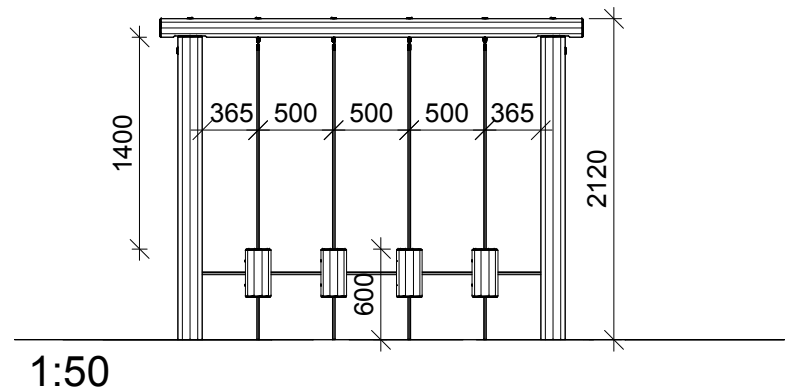
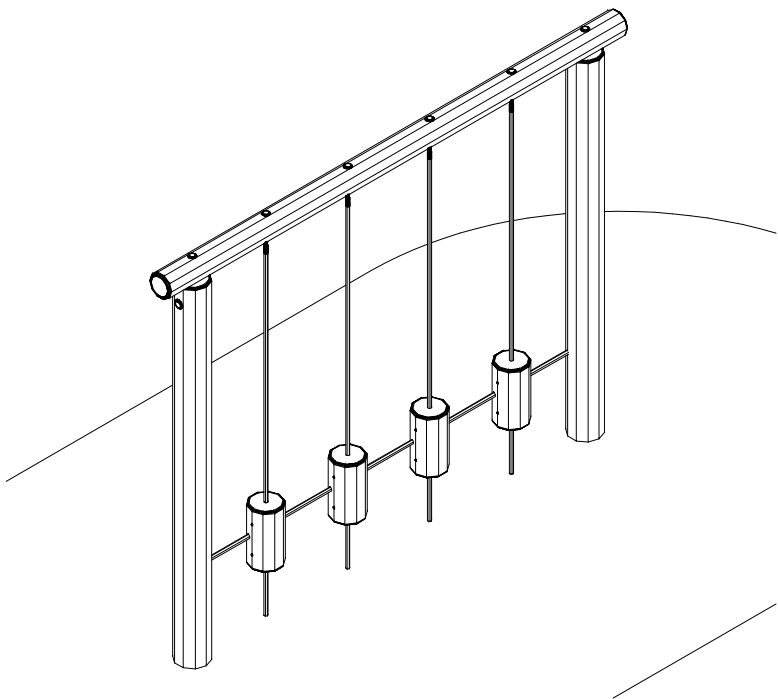


NORLEG	
Robinia galge med balanceklodser	
LE 20521	
25.02.2009	REV. -

< 600

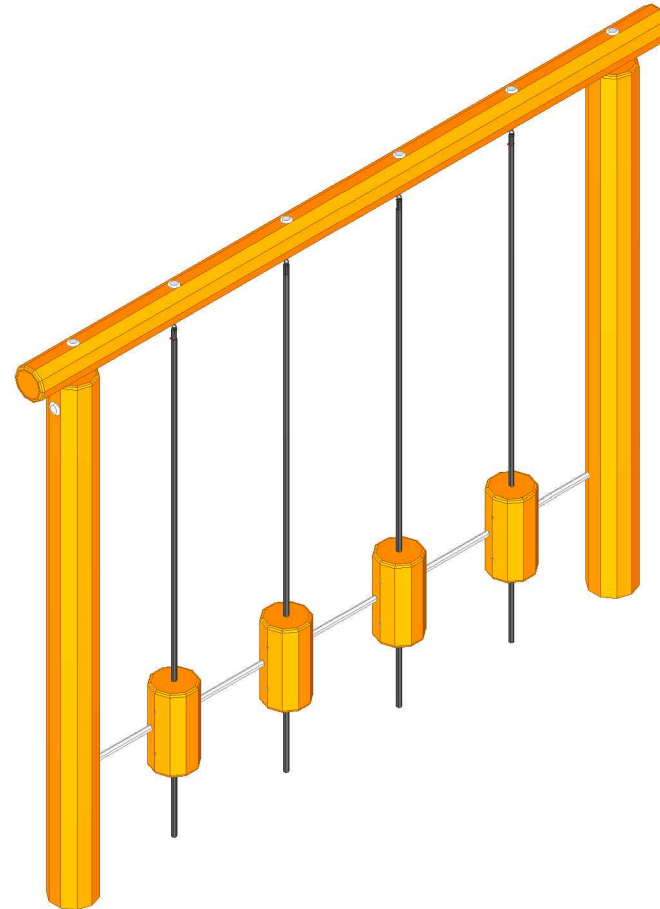


≥ EN 1176



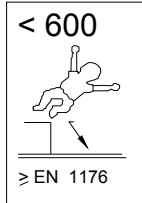
This drawing is the property of NORLEG and pursuant to current legislation may not be copied, transferred to or used by any third party. Should this drawing be used, a fee of 10% of the assumed contract price will be charged.

NORLEG - 3D	
Robinia galge med balanceklodser	
LE 20521	
25.02.2009	REV. -



Denne tegning er NORLEG's ejendom, og må ifølge gældende lov ikke kopieres, overlades eller udnyttes af 3. mand. Sker dette, skal det påregnes, at der vil blive opkrævet et honorar på 10% af formodet entreprisesum.

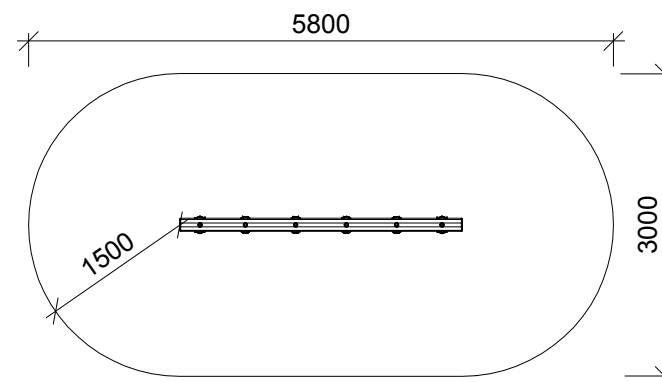
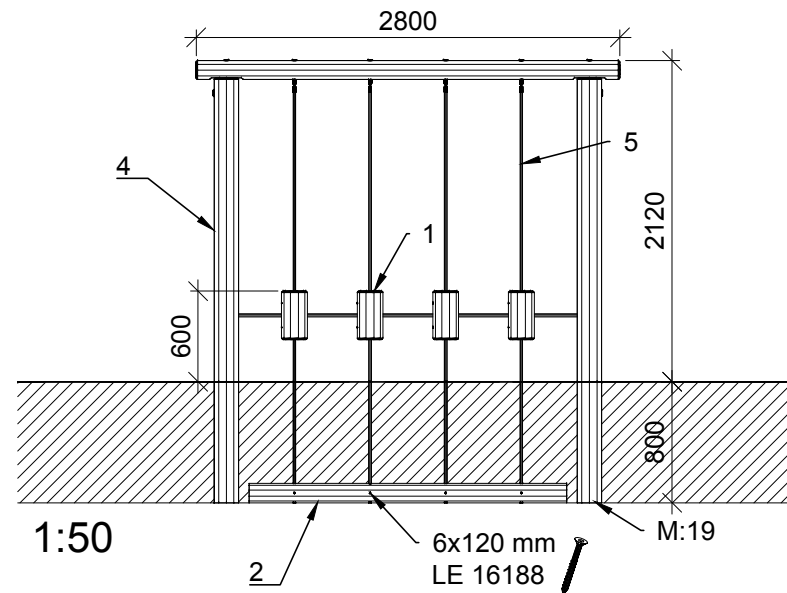
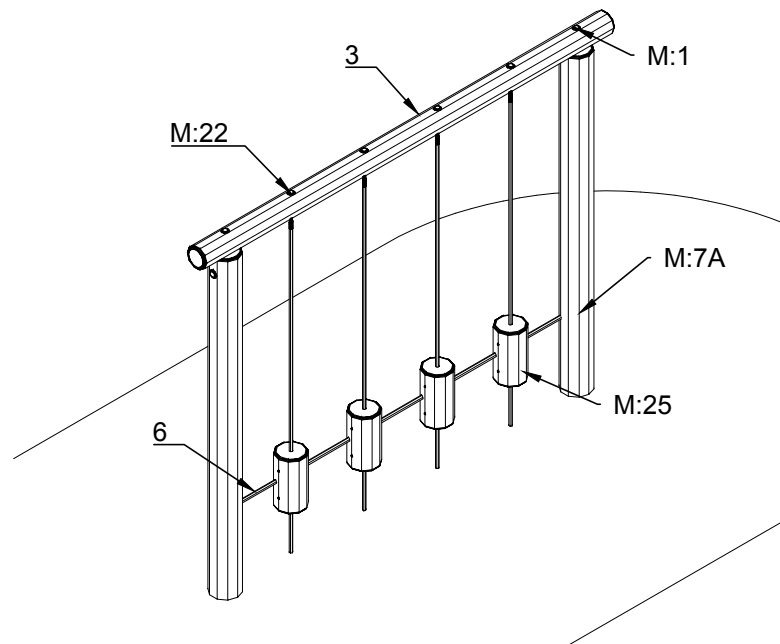
NORLEG - Mont.	
Robinia galge med balanceklodser	
LE 20521	
25.02.2009	REV. -



Mont.p. nr.

- 1
- 7A
- 19
- 22
- 25

Parts list		
Mrk.	QTY	Part.no
1	4	160-180-0320
2	1	120-140-2100
3	1	120-140-2800
4	2	160-180-2800
5	4	LE 26025
6	1	LE 26027



This drawing is the property of NORLEG and pursuant to current legislation may not be copied, transferred to or used by any third party. Should this drawing be used, a fee of 10% of the assumed contract price will be charged.