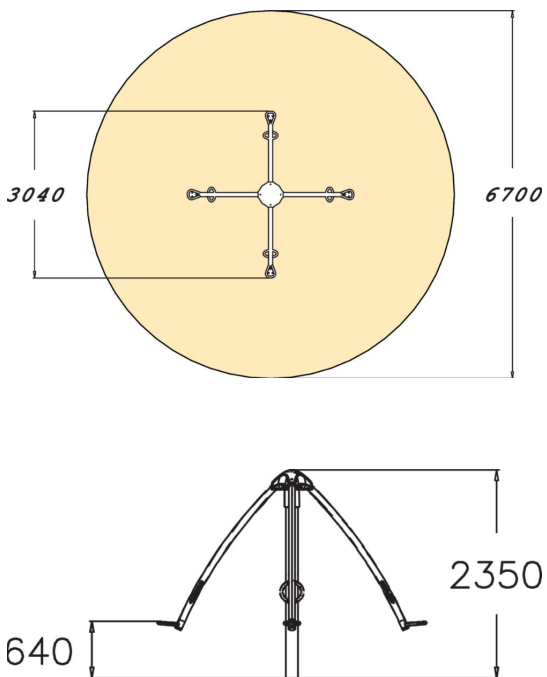




A rotating playequipment for four persons, with benches rotating around a pole and moving up and down. The benches are located at a height of 640mm. Whirling around in the equipment offers children a fun way of developing their sense of balance.



| | |
|-------------------------------|-----------------------------------|
| User age | 6+ |
| Number of users | 4 |
| Product length, mm | 3040 |
| Product width, mm | 3040 |
| Product height, mm | 2350 |
| Impact area, m ² | 35.3 |
| Falling space, m ² | 35.3 |
| Height required, mm | 2350 |
| Max. free fall height, mm | 1000 |
| Safety info | EN 1176-1, 6 TÜV |
| Installation time (for 1), H | 4 |
| Foundation options | Deep mounting Surface mounting |
| Metal colour | |
| Colour of walls and HPL | |