

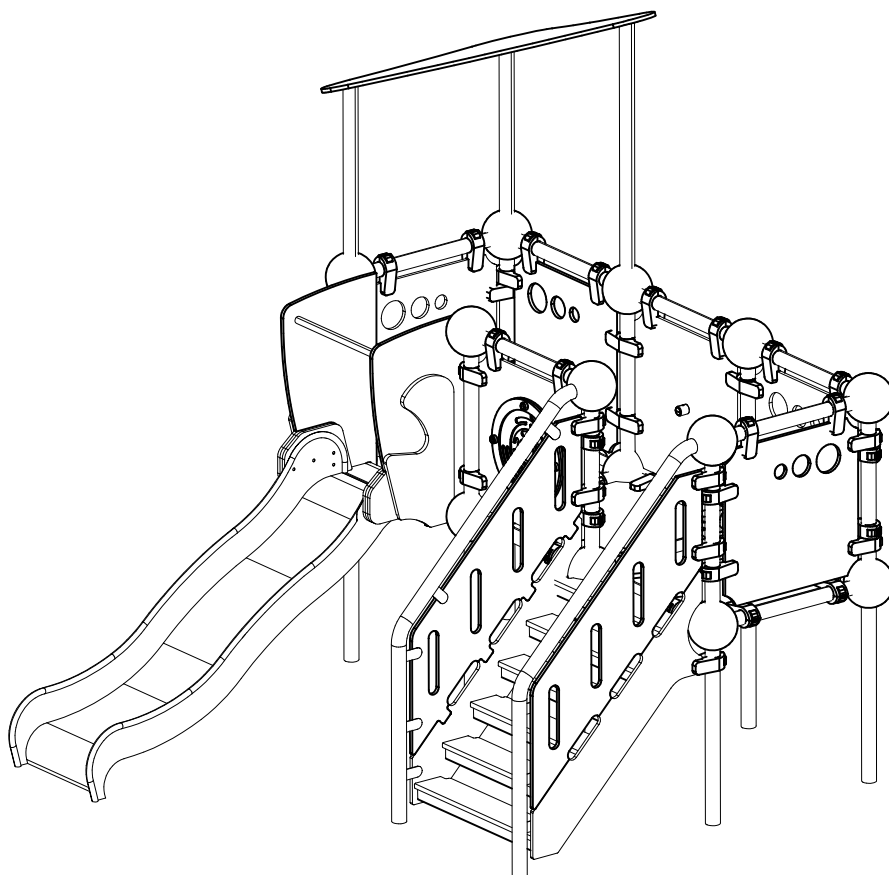
# **LAPPSET®**

## **CLOXX**

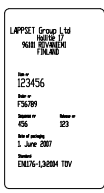
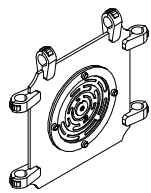
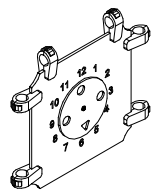
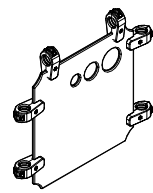
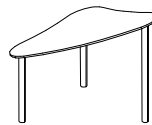
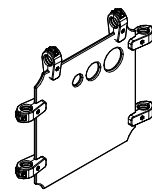

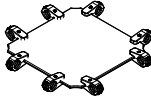
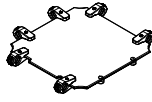
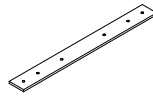
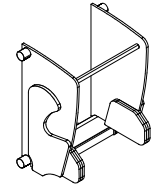
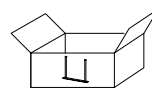
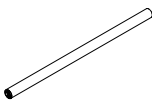
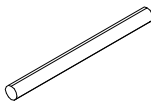
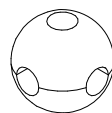
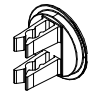

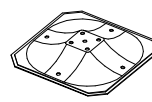
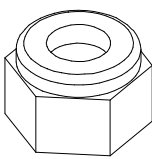
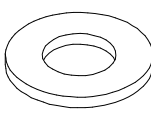
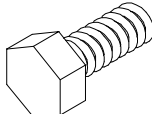
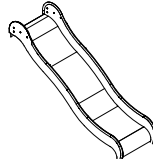
ASENNUSOHJE  
MONTERINGSANSVISNING  
INSTALLATION INSTRUCTION  
AUFBAUANLEITUNG  
NOTICE D'INSTALLATION

DATE: 25.2.2019

# **220308**

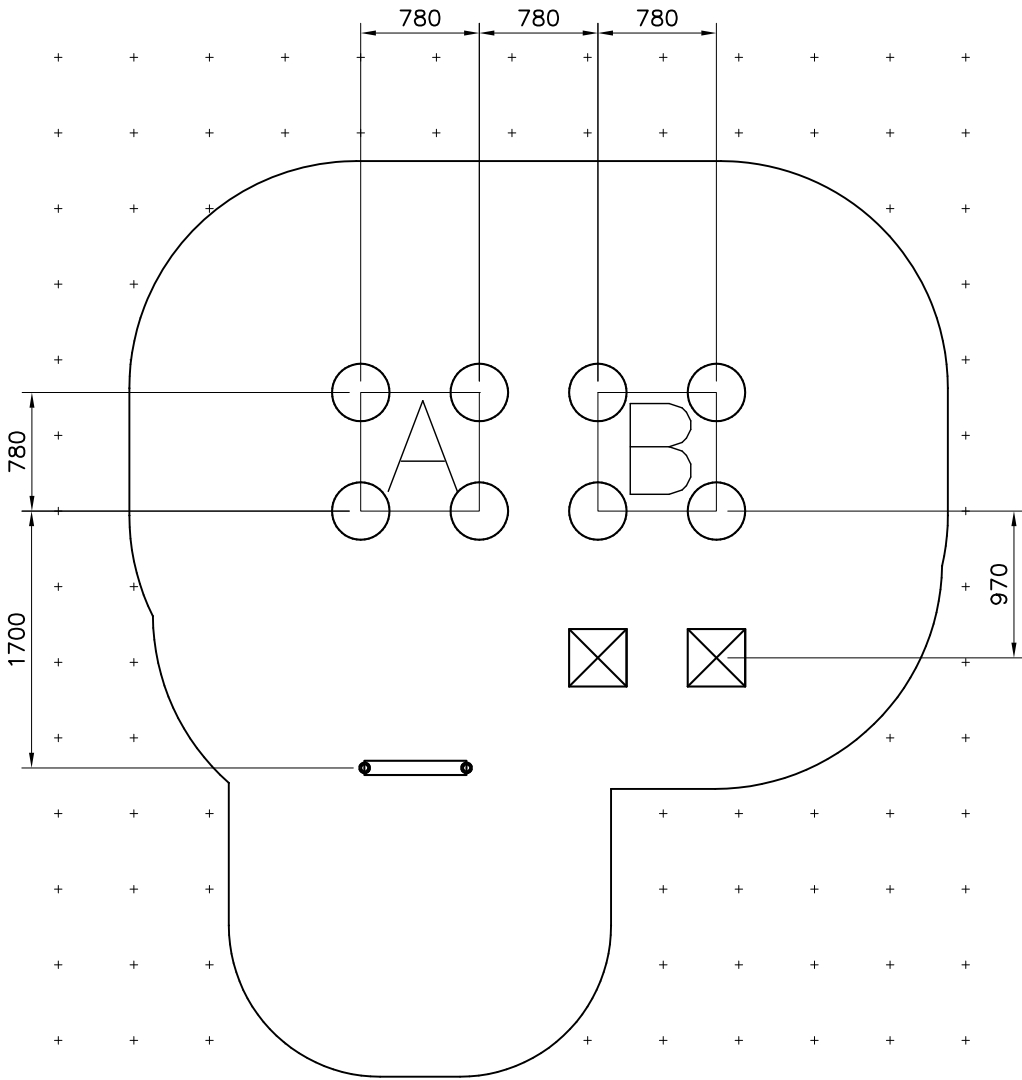
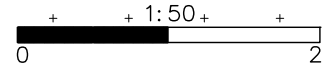


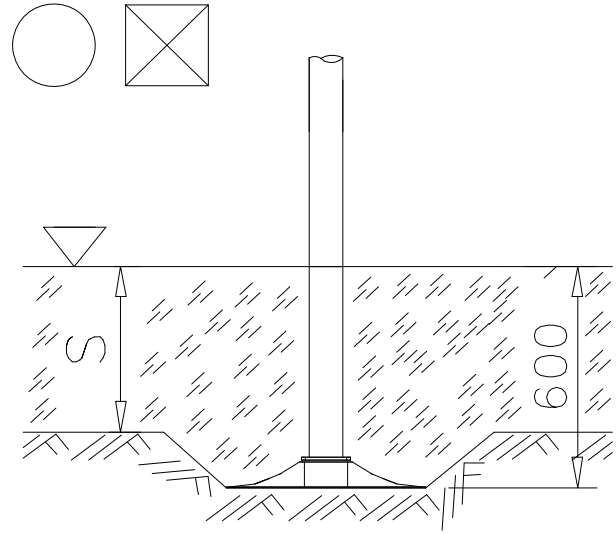
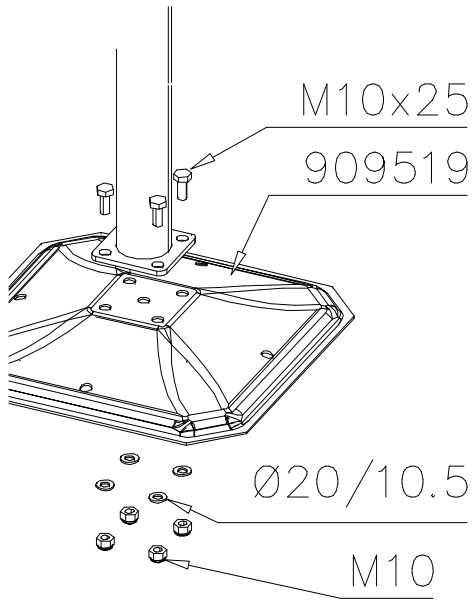
DATE: 22.2.2019

<p>702341</p>  <p>90x50</p>	PCS 1	<p>703997</p> 	PCS 1	<p>704002</p> 	PCS 1	<p>704179</p> 	PCS 2	<p>704199</p> 	PCS 1	<p>704328</p> 	PCS 2
<p>704381</p> 	PCS 1	<p>704443</p> 	PCS 2	<p>704666</p> 	PCS 1	<p>707133</p>  <p>10x80x745</p>	PCS 1	<p>708858</p> 	PCS 1	<p>709045</p> 	PCS 1
<p>901868</p>  <p>Ø34x598</p>	PCS 2	<p>902022</p>  <p>L 710</p>	PCS 14	<p>902134</p> 	PCS 16	<p>902157</p>  <p>60x60x2</p>	PCS 33	<p>904505</p>  <p>L 2137</p>	PCS 8	<p>909519</p>  <p>380x380</p>	PCS 8
<p>909637</p>  <p>M10</p>	PCS 32	<p>909638</p>  <p>Ø20/10.5</p>	PCS 64	<p>909639</p>  <p>M10x25</p>	PCS 32	<p>909708</p>  <p>+870</p>	PCS 1		PCS		PCS
	PCS		PCS		PCS		PCS		PCS		PCS
	PCS		PCS		PCS		PCS		PCS		PCS

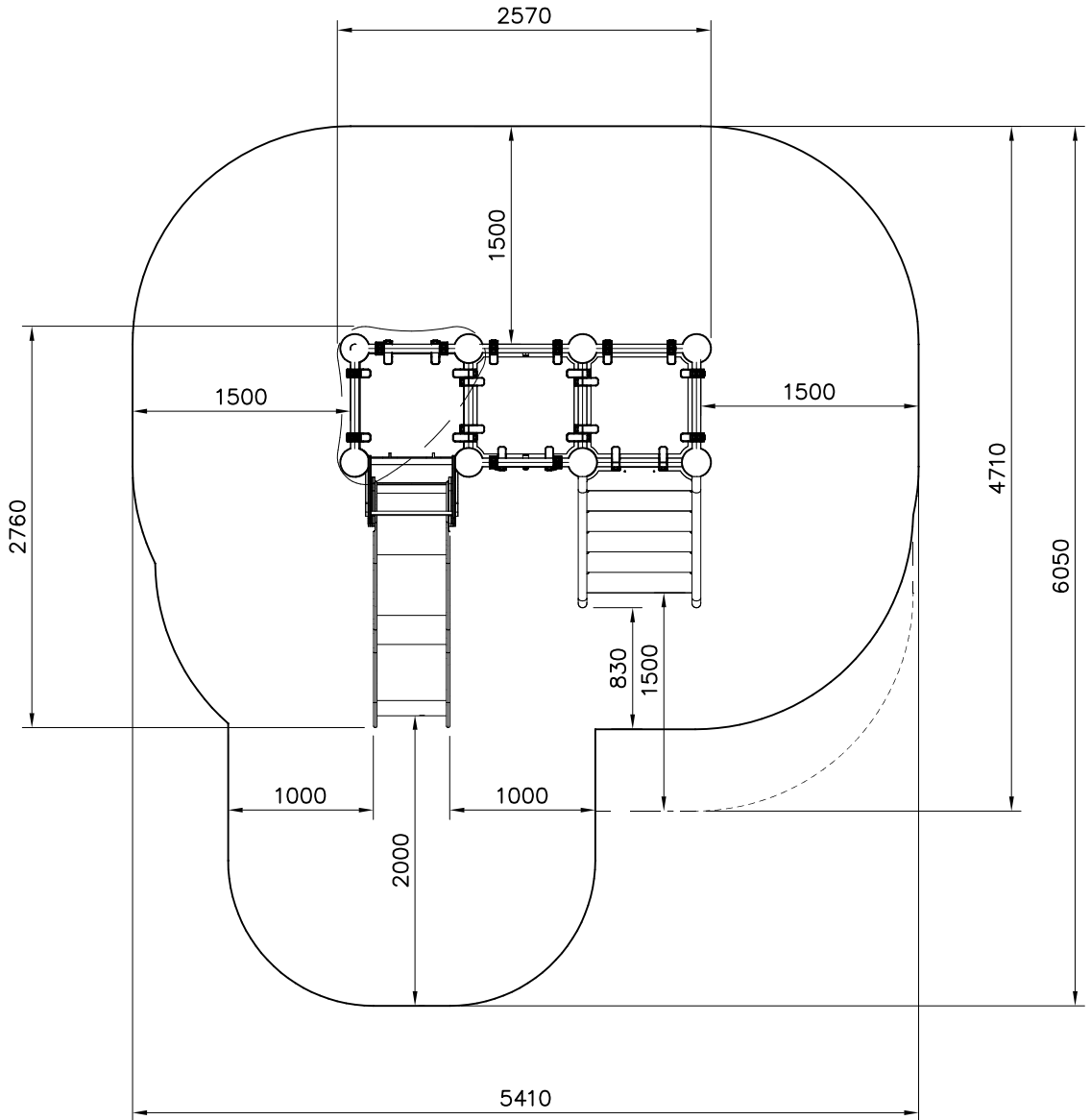
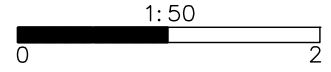
EN/AS Impact Area 24.9 m<sup>2</sup>

Grid size = 500 mm

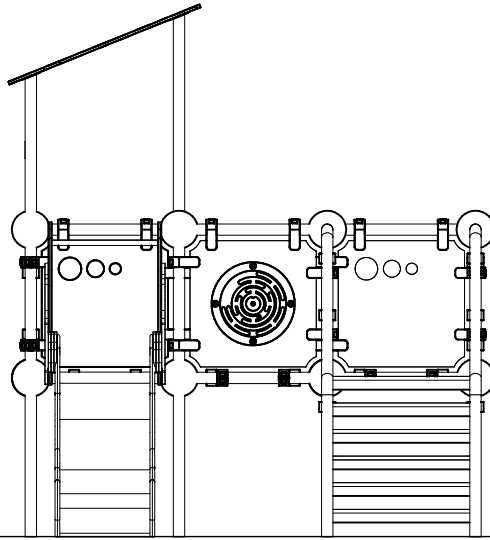




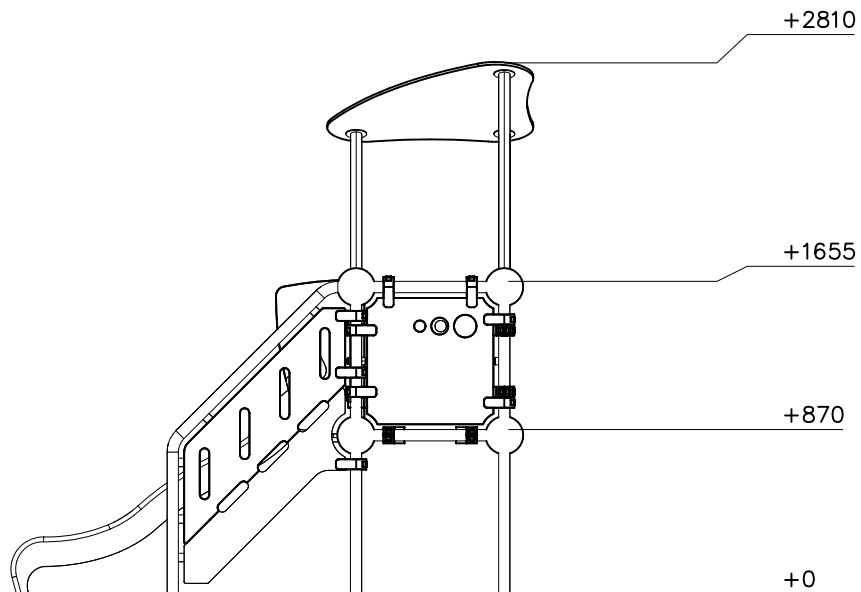
— EN/AS Impact Area 24.9 m<sup>2</sup>  
- - - Falling Space 26.2 m<sup>2</sup>  
Max Falling Height 1000 mm

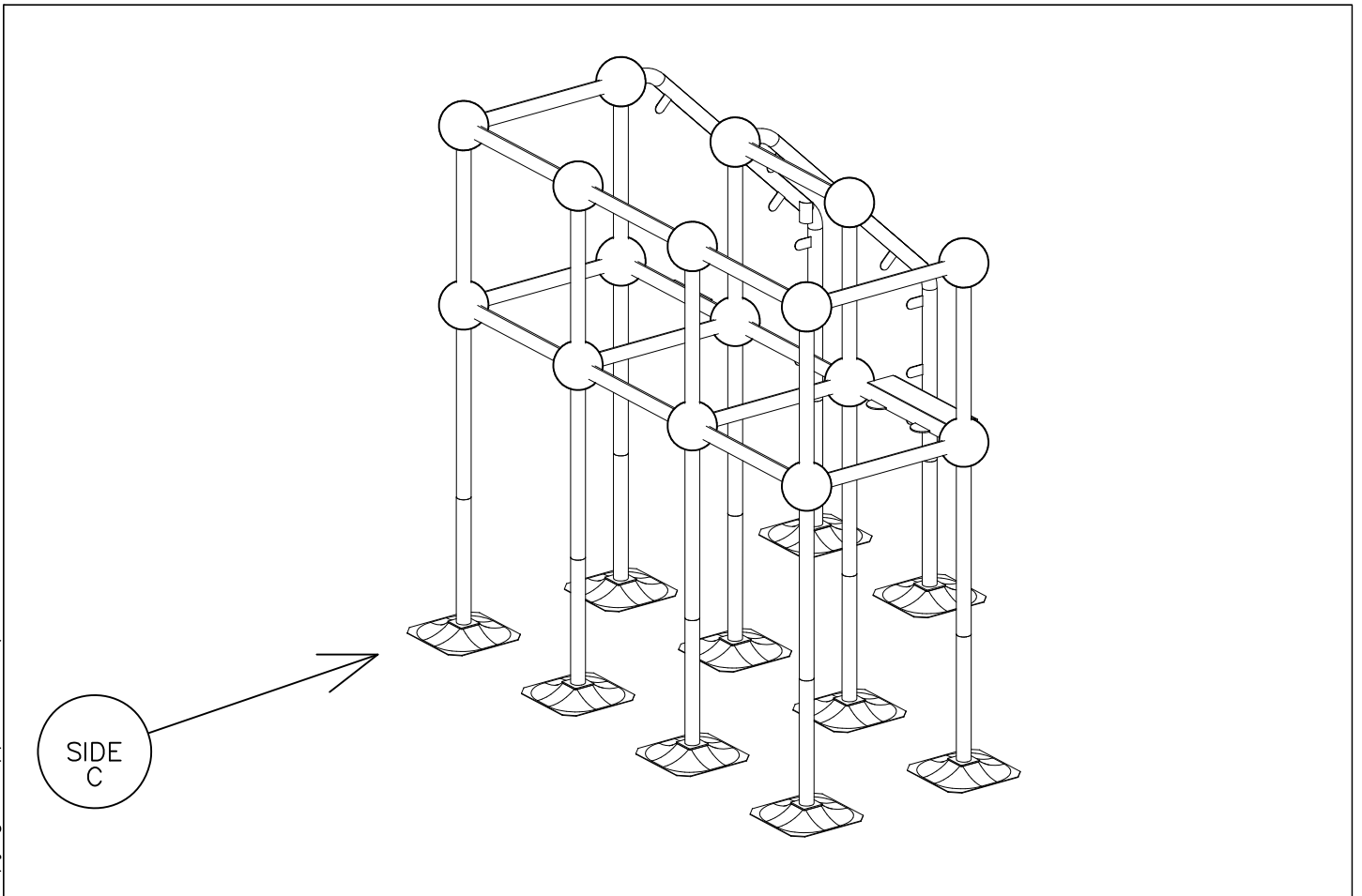
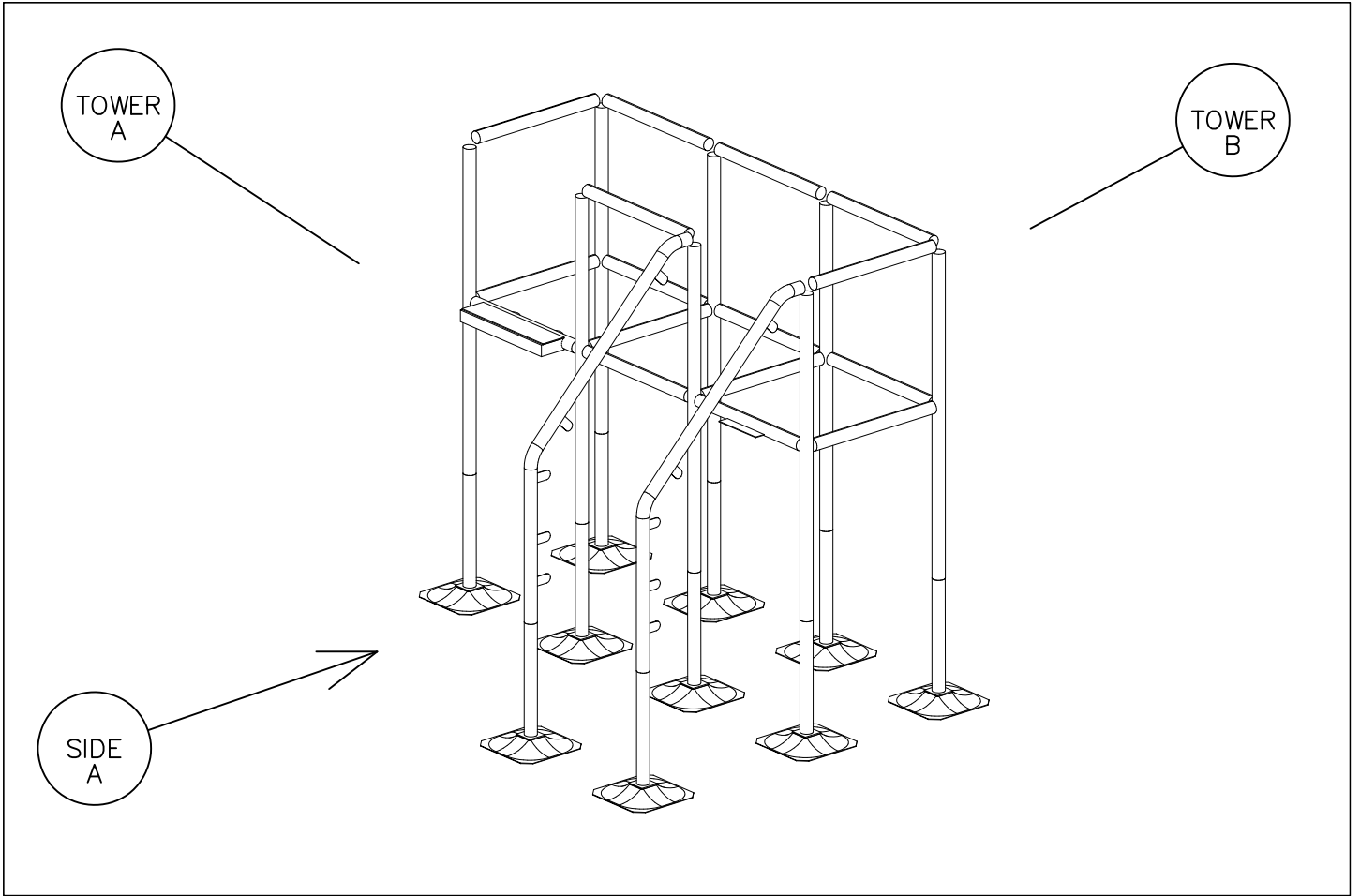


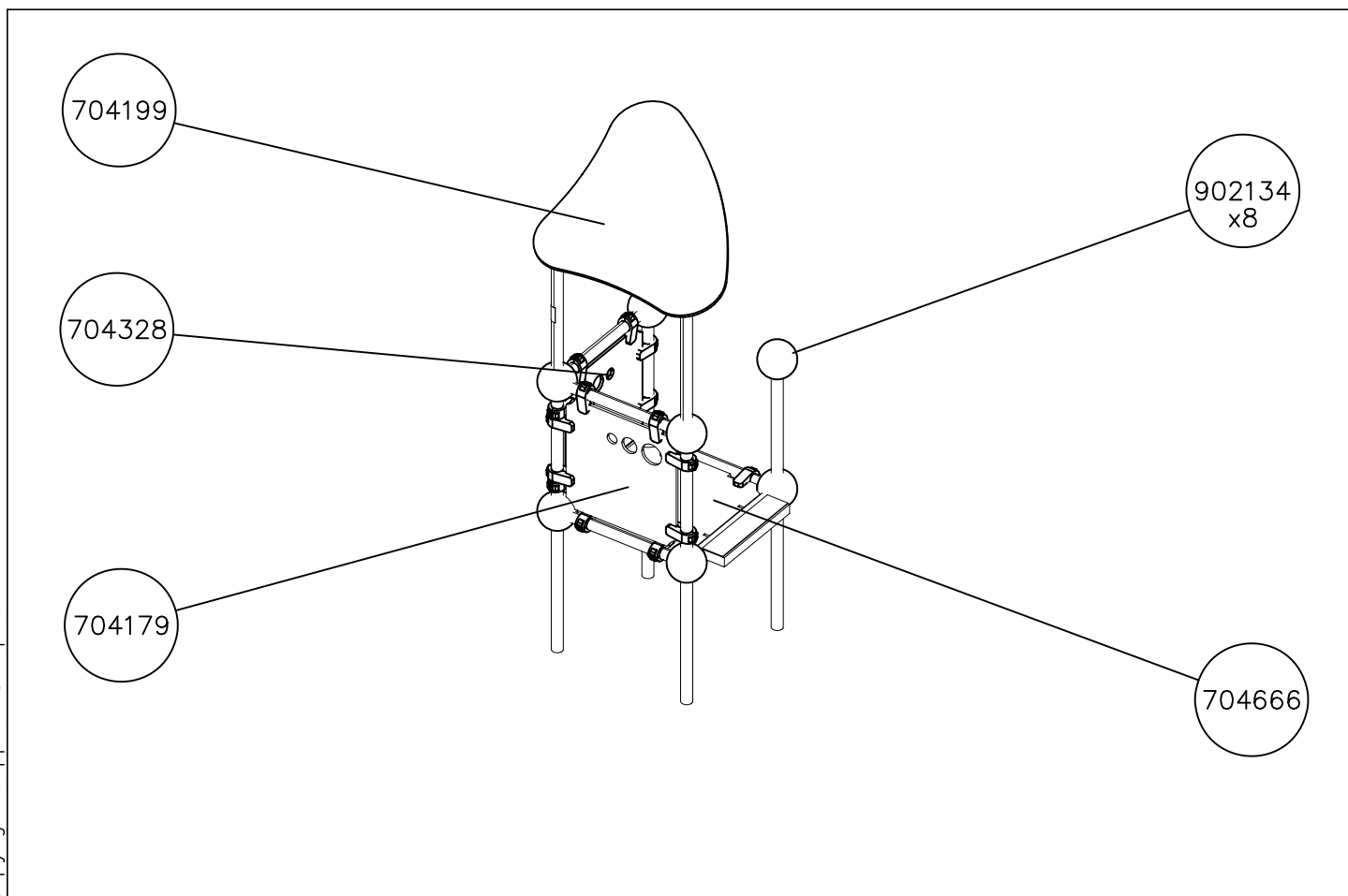
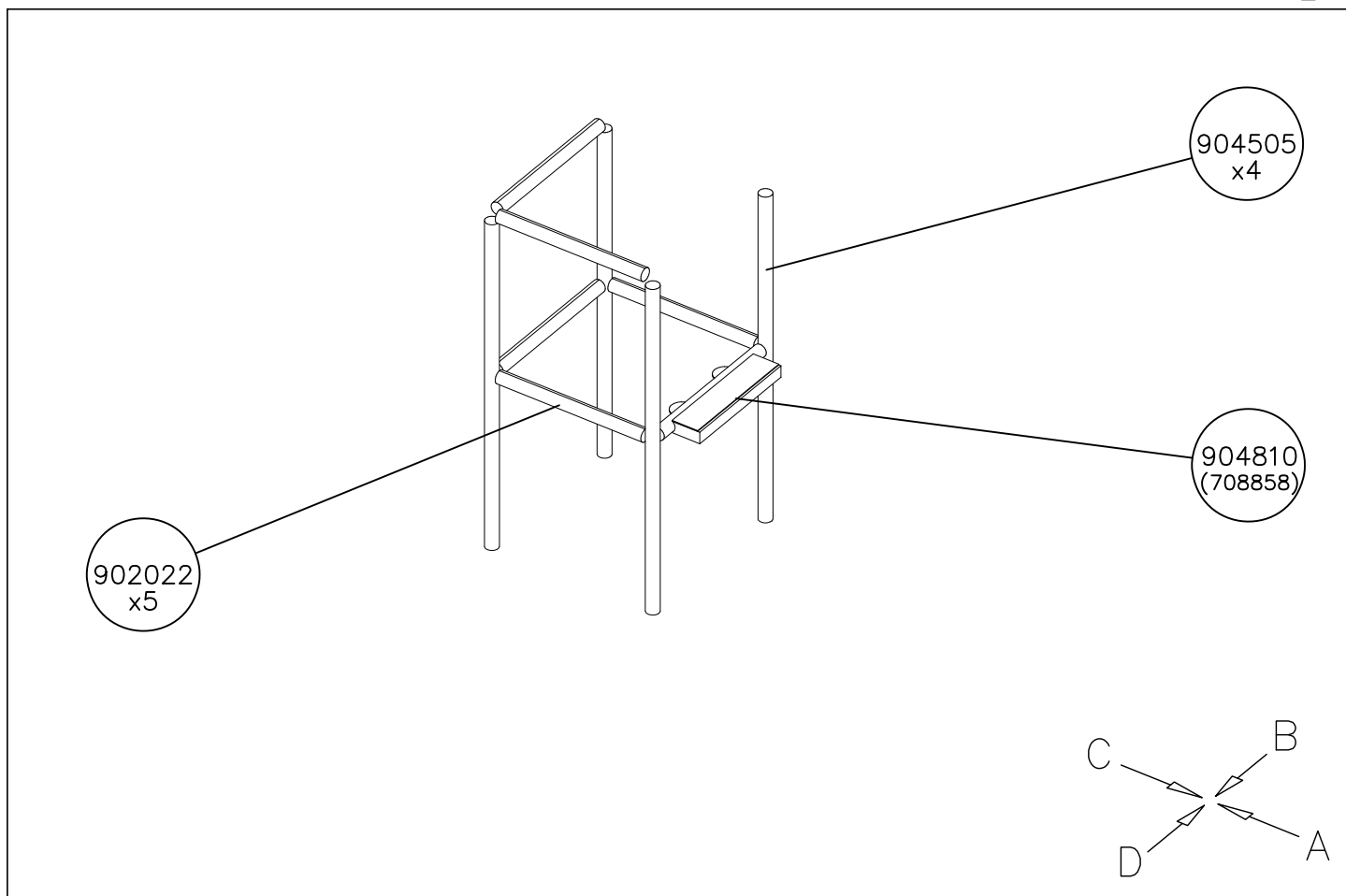
1: 40



1: 40





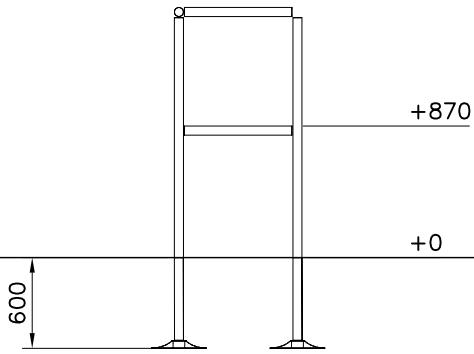




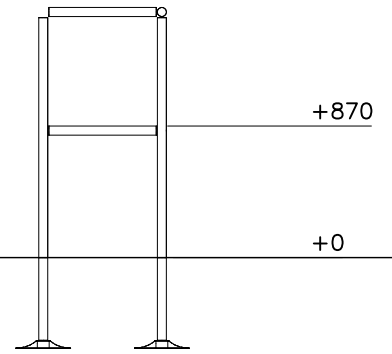
DATE: 25.2.2019

1:50

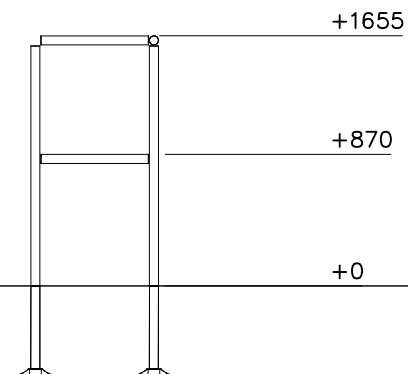
(A)



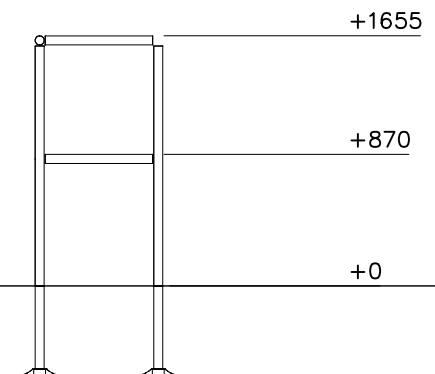
(B)

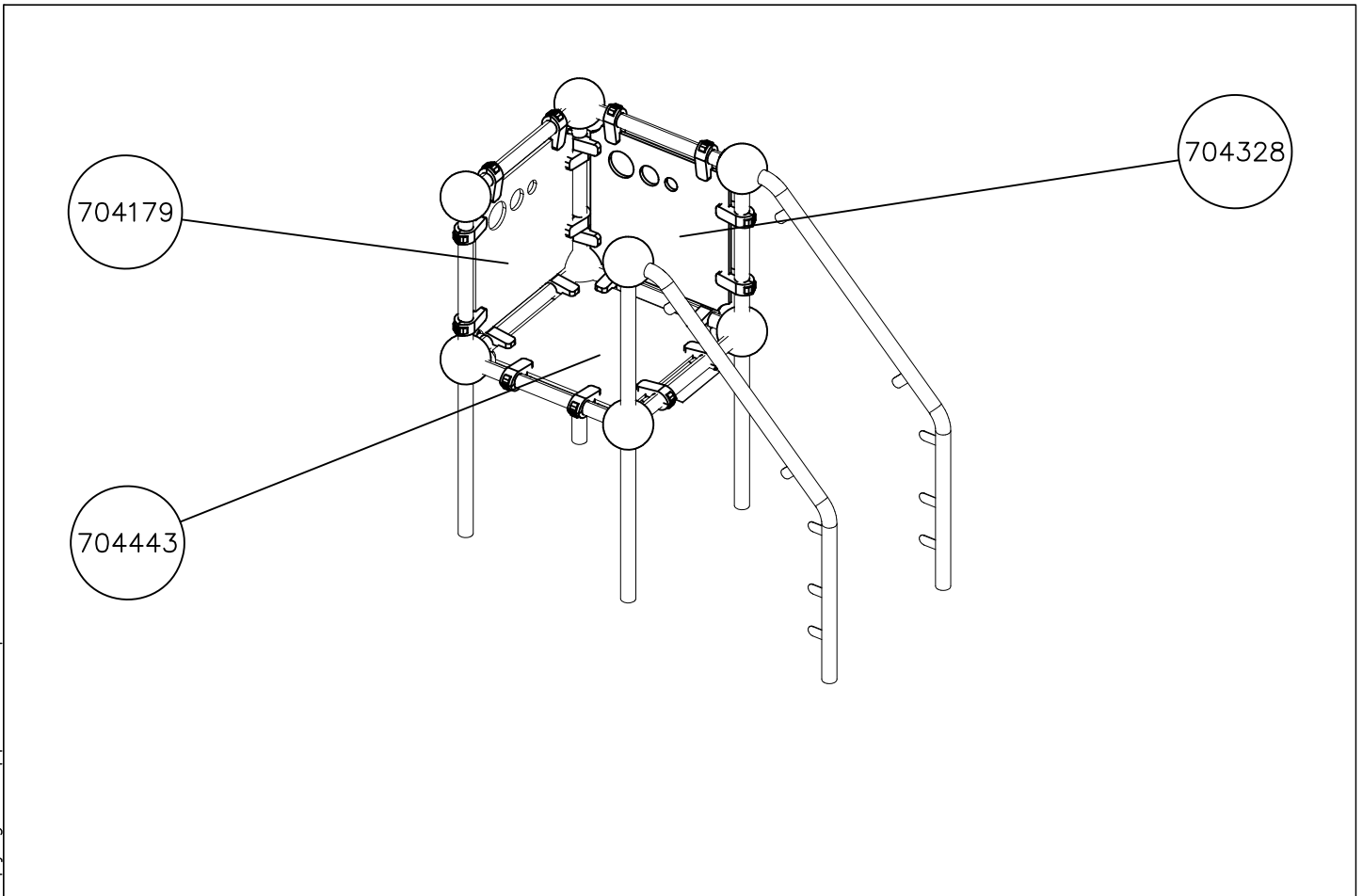
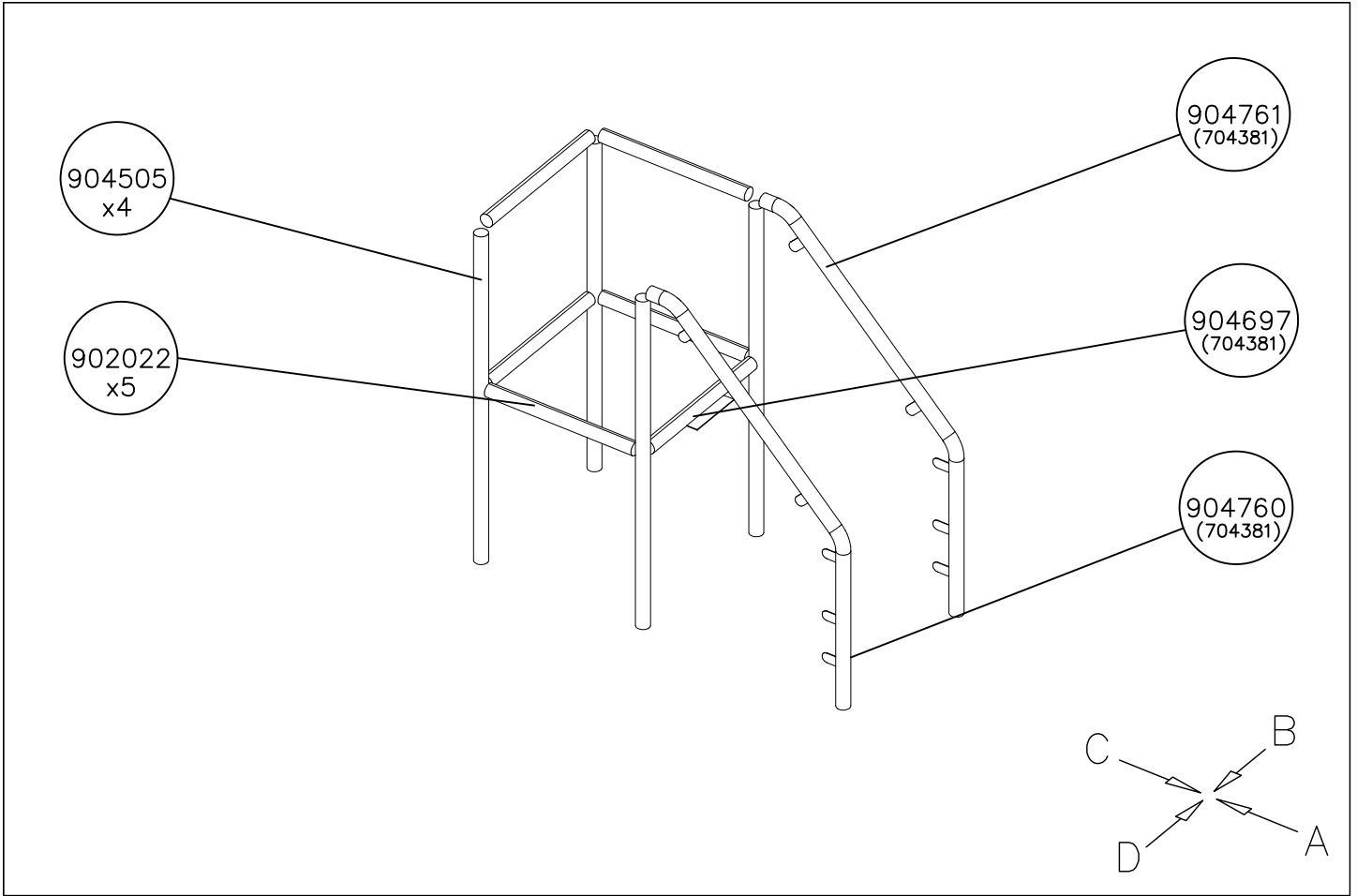


(C)



(D)

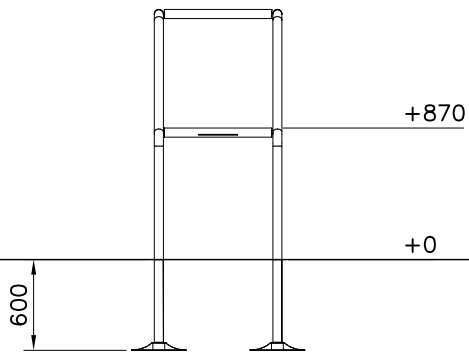




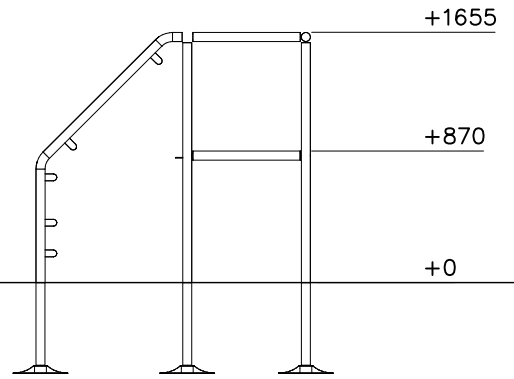
DATE: 25.2.2019

1:50

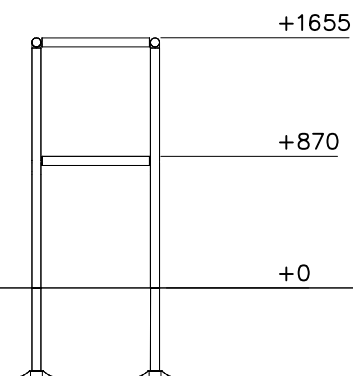
(A)



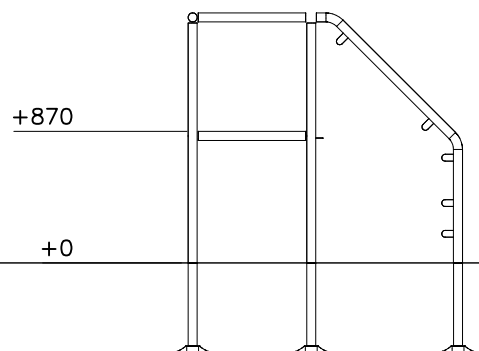
(B)

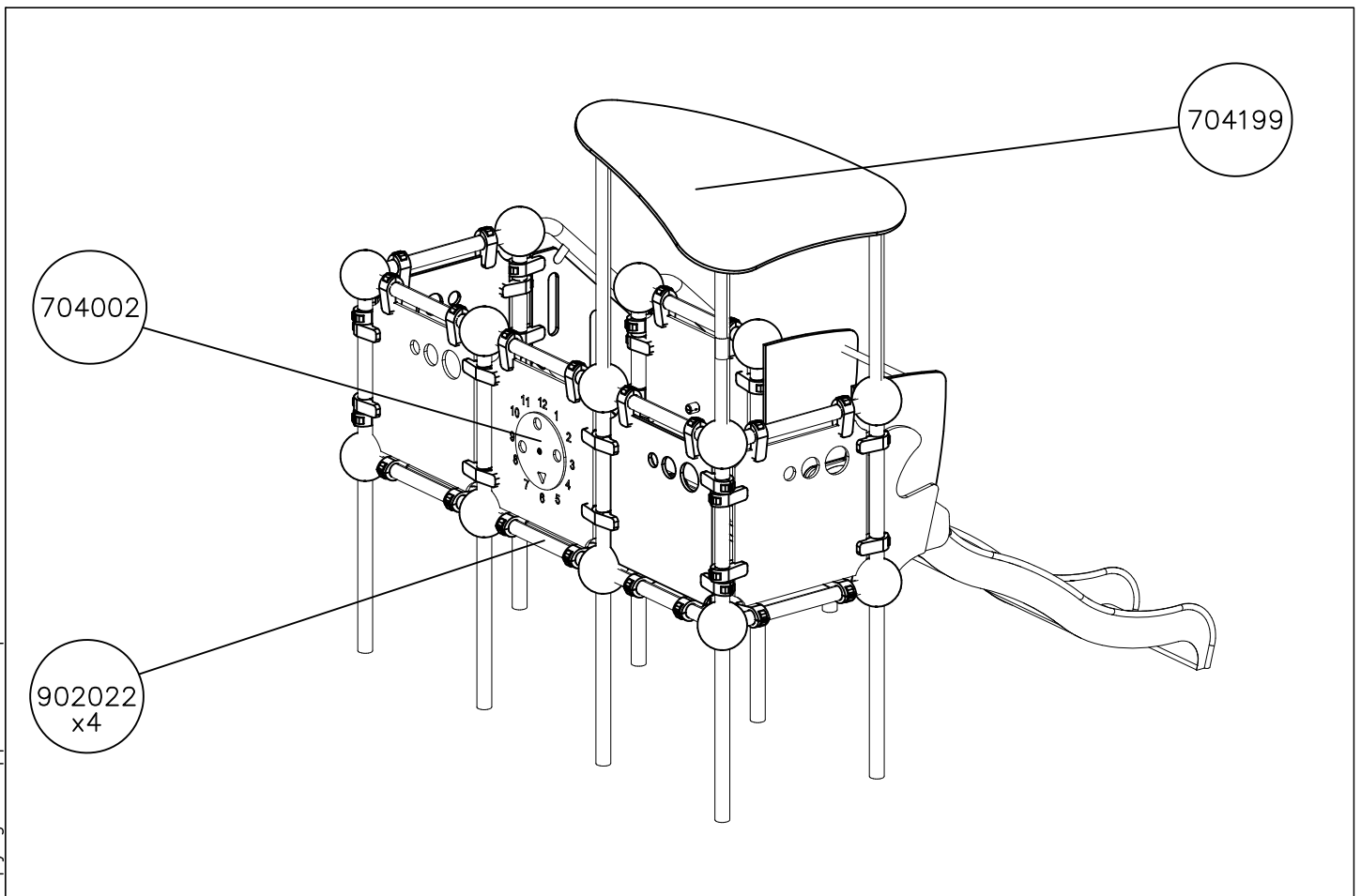
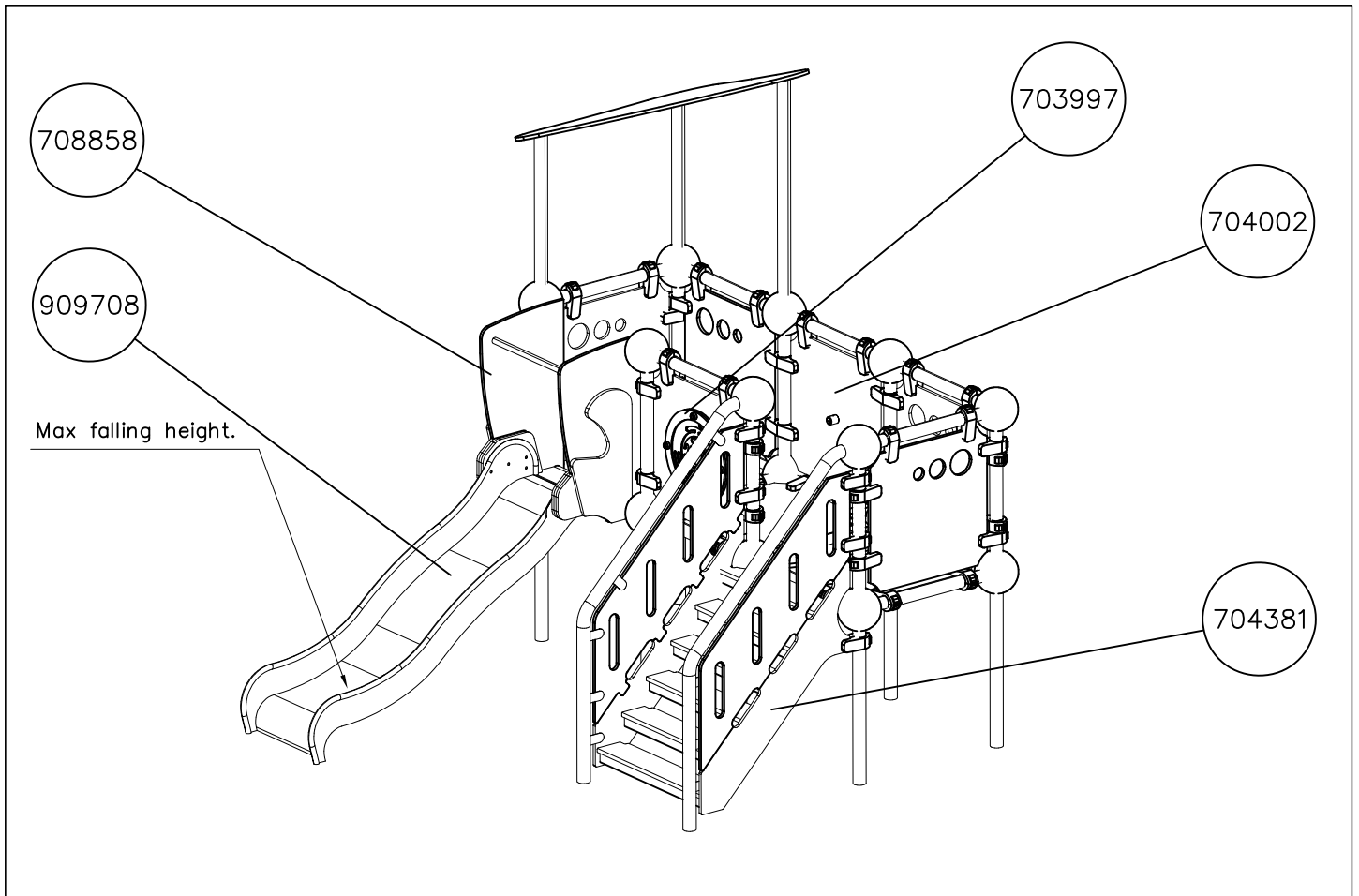


(C)



(D)





		
<p><b><math>h &lt; 600</math></b></p> <p>Without movement and therefore without Impact Area</p>	<p>Totally hard surfaces.</p> <p>Note. Lappset does <u>not recommend</u> totally hard surfaces at all.</p>	<p>E.g. concrete or asphalt</p> 
<p><b><math>h &lt; 600</math></b></p> <p>With movement e.g. rocking</p>	<p>Materials with very limited impact attenuating properties.</p>	<p>E.g. wood</p> 
<p><b><math>h &lt; 1000</math></b></p>	<p>Materials with significant impact attenuating properties.</p>	<p>fine gravel 0–8 mm</p>  <p>grass</p>  <p>unsorted sand</p> 
<p><b><math>h &lt; 3000</math></b></p>	<p>Loose fill material</p> <p>E.g. sand/gravel 0,25...8 mm D60/D10&lt;3,0 Woodchips 5...30 mm bark 20...80 mm</p>	 <p><math>\underline{S}</math>                      <math>\underline{h}</math></p> <p>30 cm                      &lt; 2,0 m</p> <p>40 cm                      &lt; 3,0 m</p>
	<p>Syntethic granulates</p> <p><math>\underline{S}</math>                      <math>\underline{h}</math></p> <p>40 mm ~&gt; 1,2...1,3 m</p> <p>50 mm ~&gt; 1,5...1,7 m</p> <p>60 mm ~&gt; 1,8...2,0 m</p> <p>70 mm ~&gt; 2,1...2,5 m</p> <p>Note. For accurate values, see manufacturer's instructions.</p>	

REMOVE SAFETY SURFACE/SAND/GRAVEL  
TO CHECK FOUNDATION

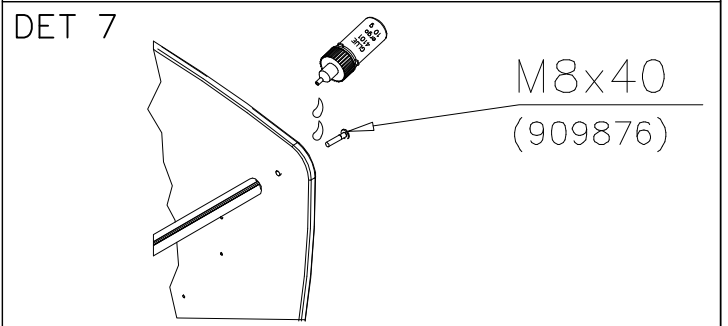
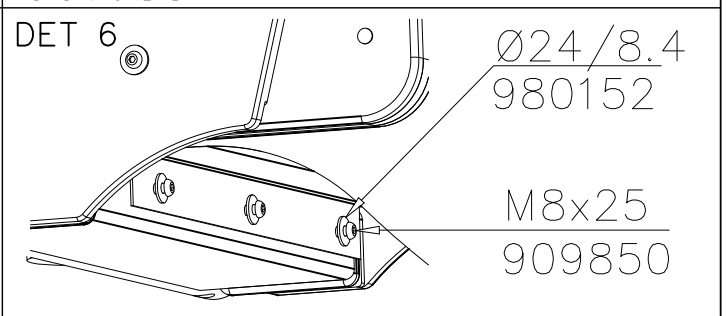
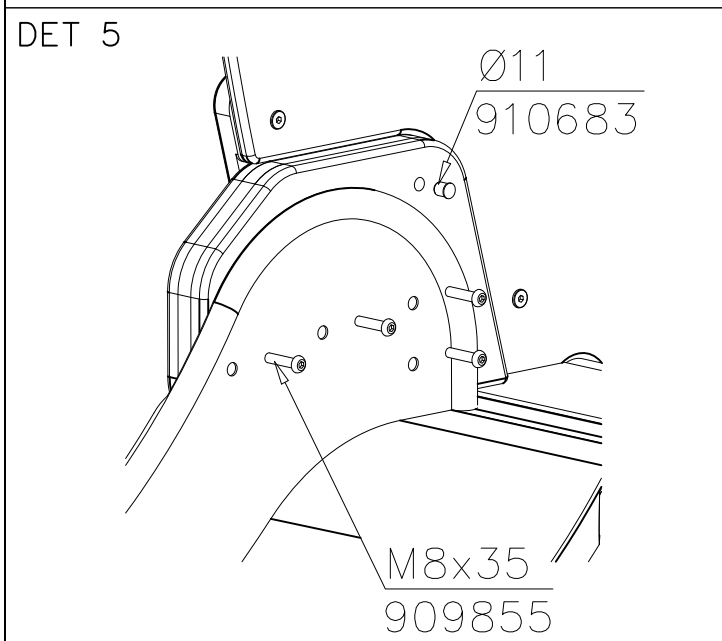
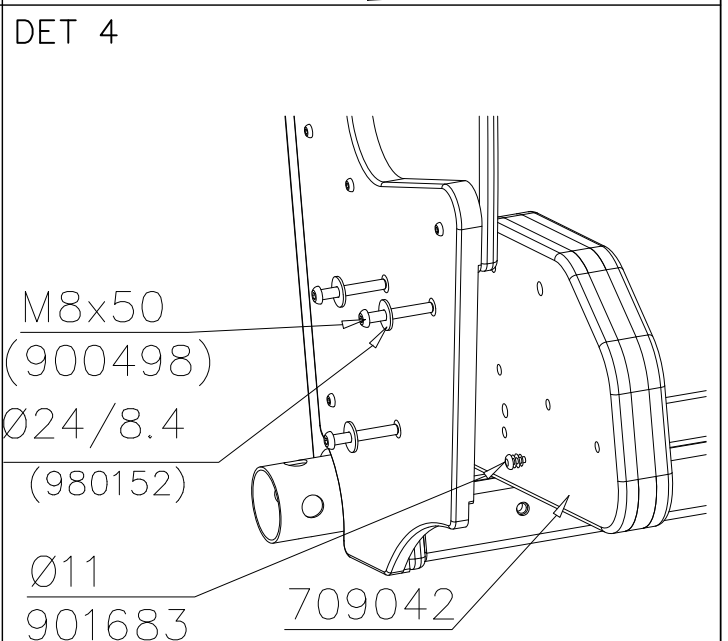
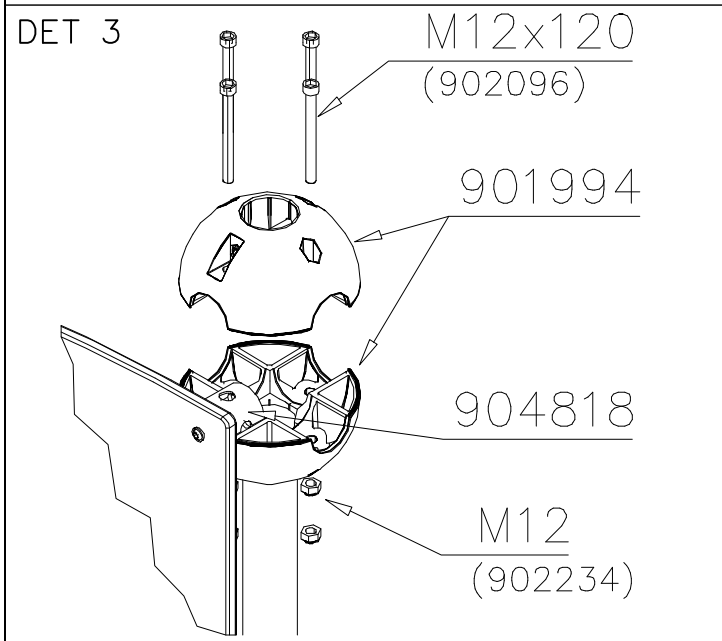
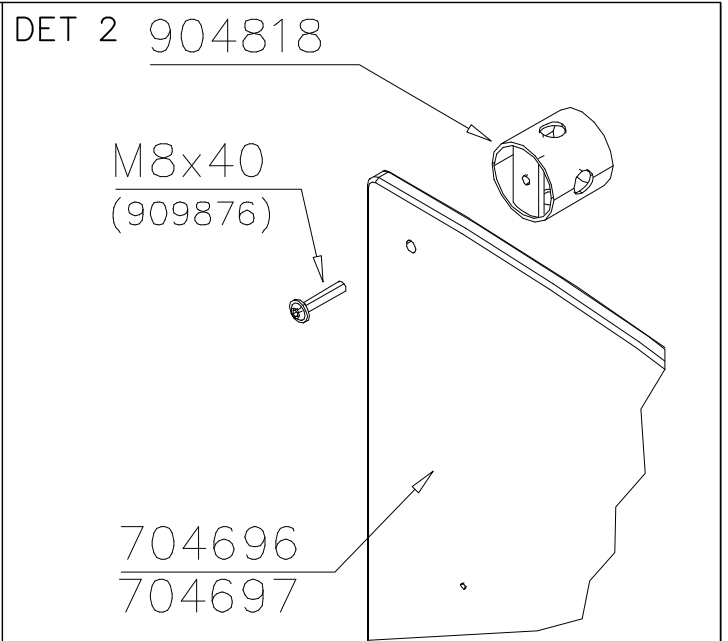
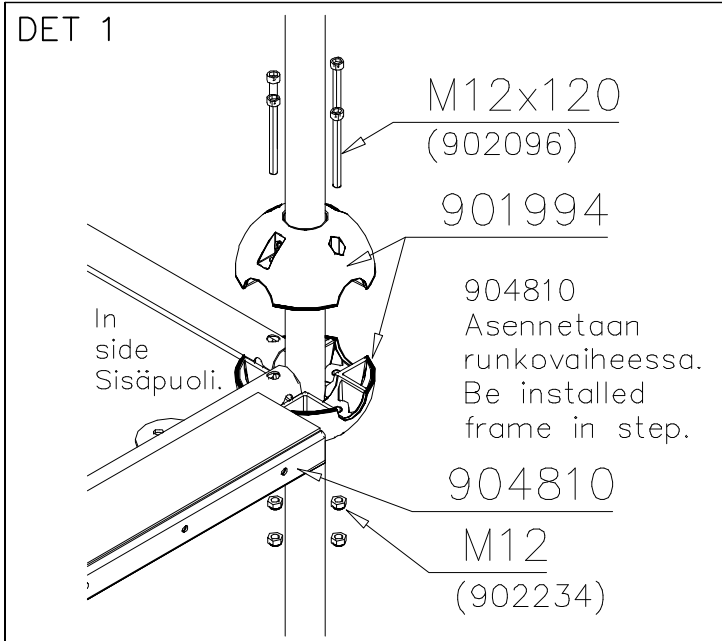


REMOVE SAFETY SURFACE/SAND/GRAVEL  
TO CHECK FOUNDATION



Exploded view diagram of a mechanical assembly. The diagram shows various components labeled with circled numbers 1 through 13 and sub-assemblies labeled DET 1 through DET 7. Dimensions are provided for several parts: 860, 784, 468, and a range of (870-1470-1970-2070).

① 704696	PCS	② 704697	PCS
	1		1
③ 904810	PCS	④ 904818	PCS
	1		2
⑤ 904833	PCS	⑥ 909876	PCS
	1		4
Ø30x565		M8x40	
⑦ 980152	PCS	⑧ 900498	PCS
	9		6
Ø24/8.4		M8x50	
⑨ 999561	PCS	⑩ 709042	PCS
	1		2
GLUE 4101 ergo 10 g			
10 g			
		⑪ 909855	PCS
			8
		M8x35	
		⑫ 910683	PCS
			4
		Ø11	
		⑬ 909850	PCS
			3
		M8x25	



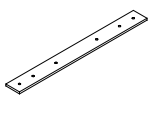
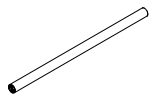

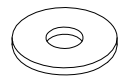


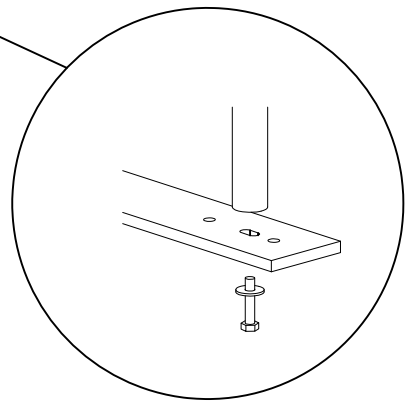
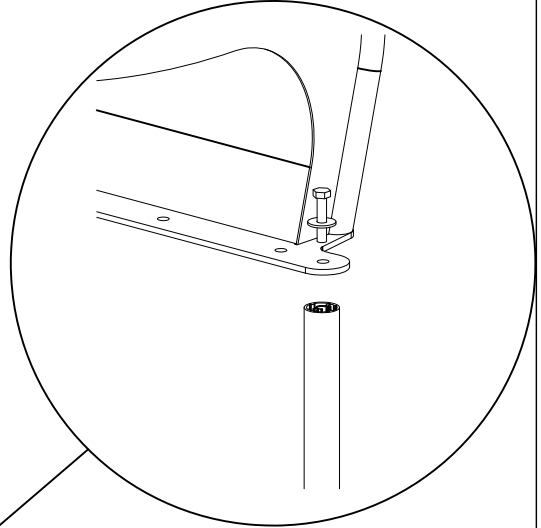
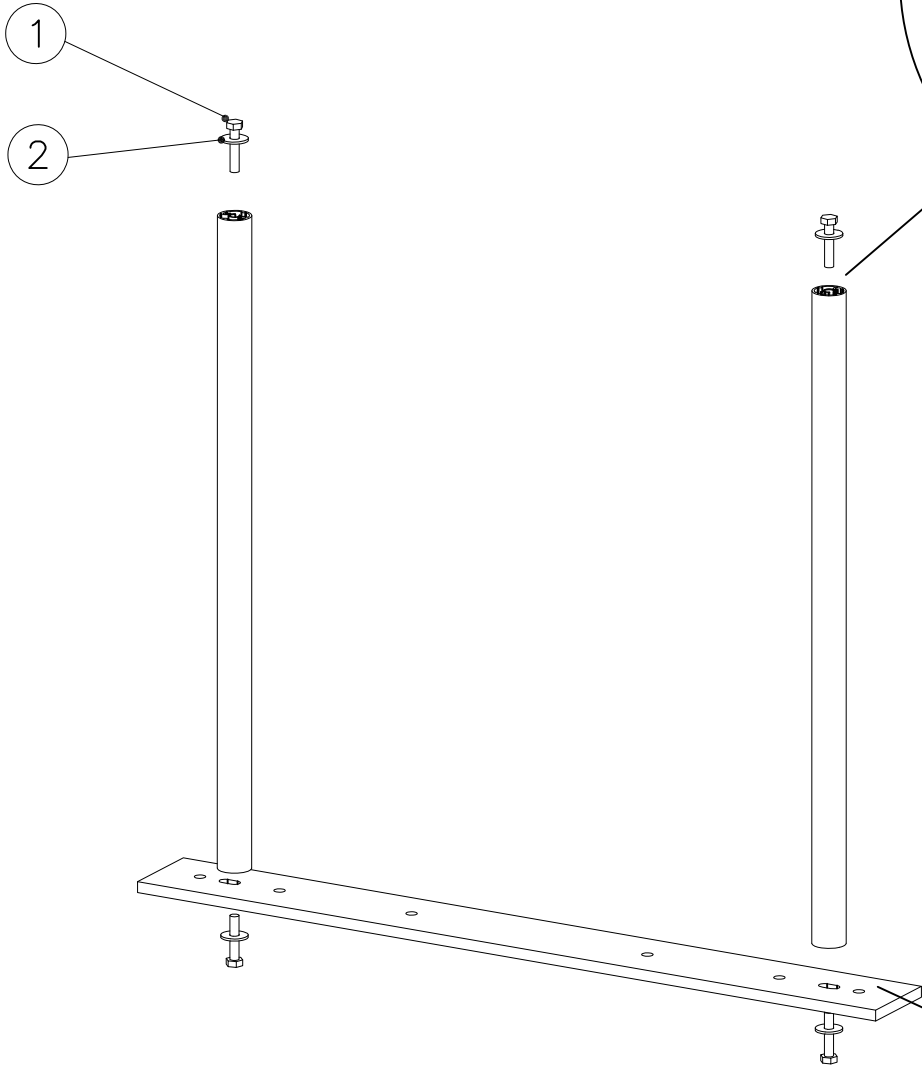
# LAPPSET DEEP FOUNDATION

# SLIDE METAL

DATE: 11.2.2019

1(1)

○ 707133	PCS	○ 901868	PCS	① 909210	PCS	② 905051	PCS
	1		2		4		4
							
10x80x745		Ø30x598		M8x40		Ø24/8.4	



# LAPPSET

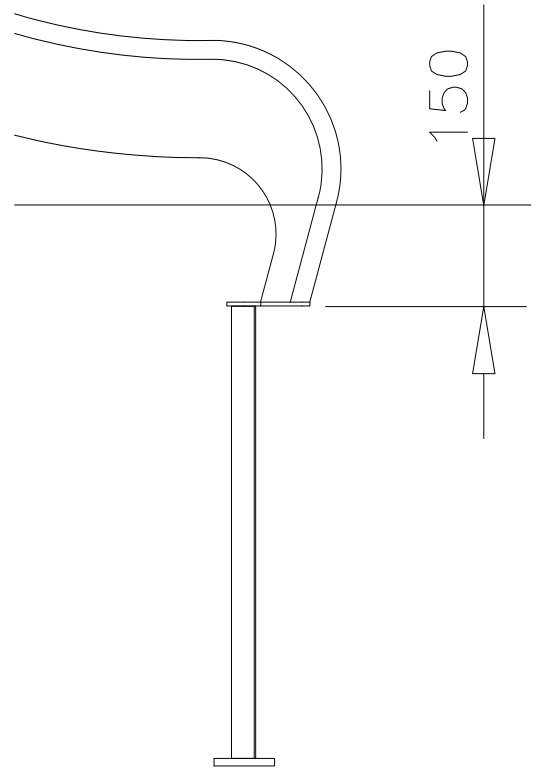
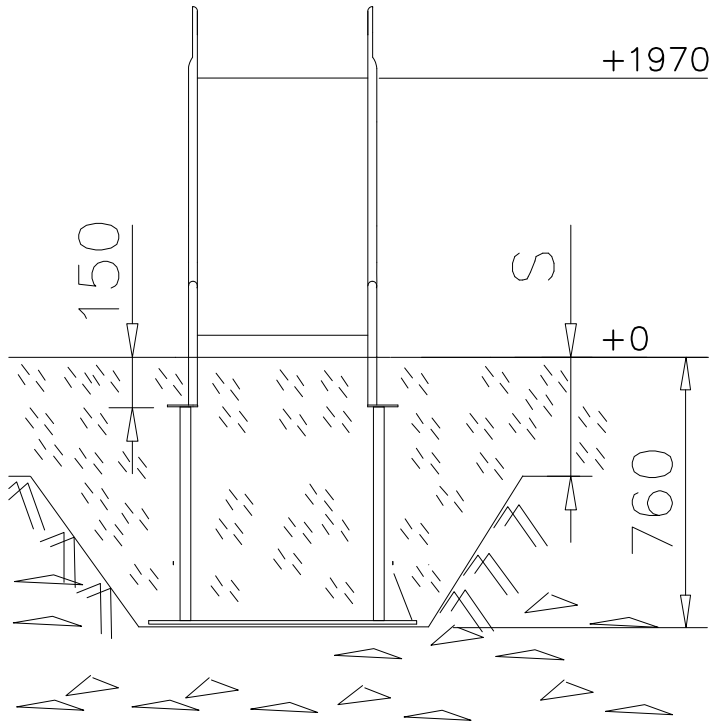
## DEEP FOUNDATION

# SLIDE METAL

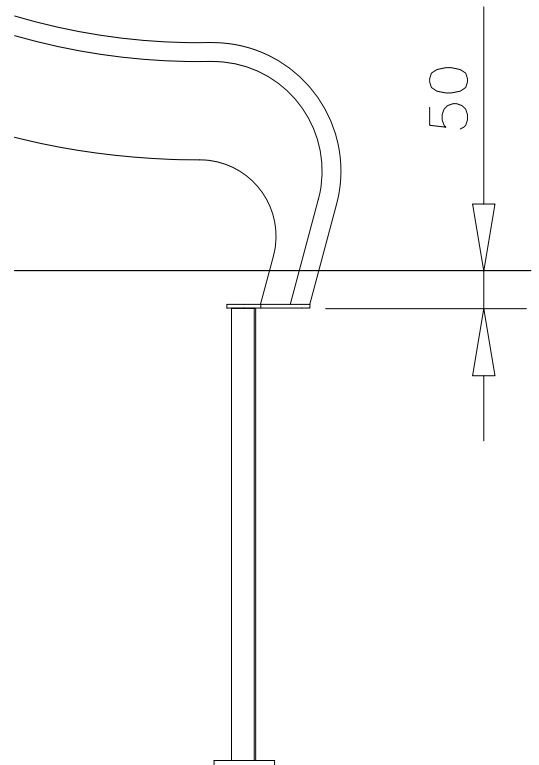
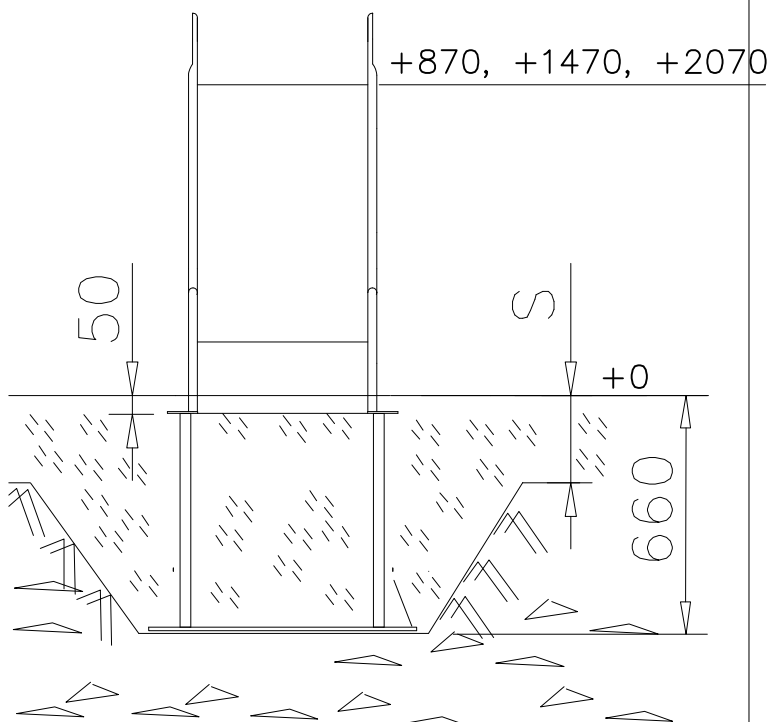
DATE: 24.11.2020

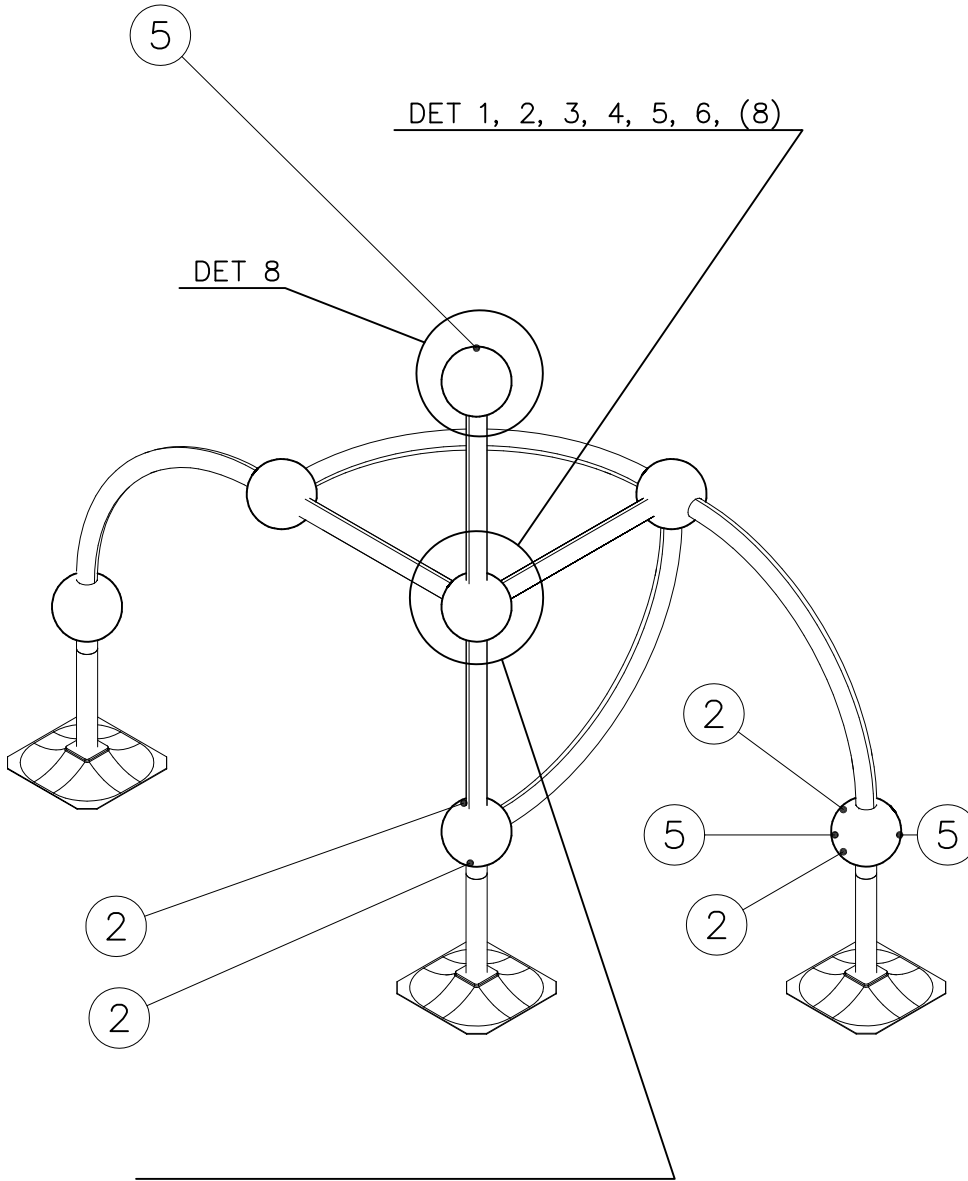
1(1)

Floor level +1970



Floor level +870,  
+1470, +2070

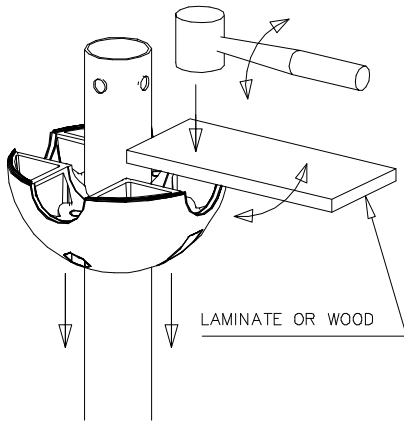




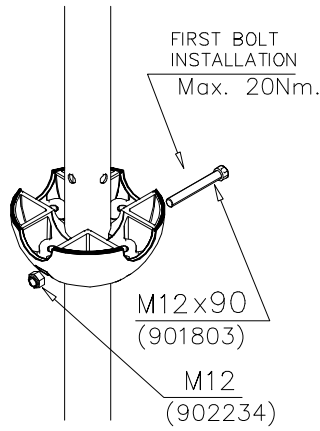
DO NOT TIGHTEN THE JOINTS UNTIL THE STRUCTURE IS COMPLETE.

① 901803	PCS	② 901994	PCS
	2		2
M12x90		Ø190	
③ 902096	PCS	④ 902234	PCS
	4		6
M12x120		M12	
	PCS		PCS
	PCS		PCS
	PCS		PCS
	PCS		PCS
	PCS		PCS
	PCS		PCS

DET 1



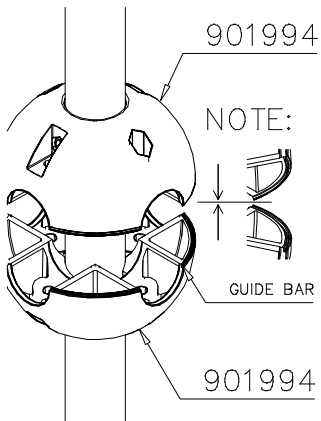
DET 2



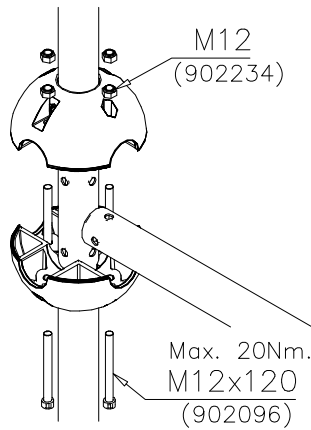
DET 3



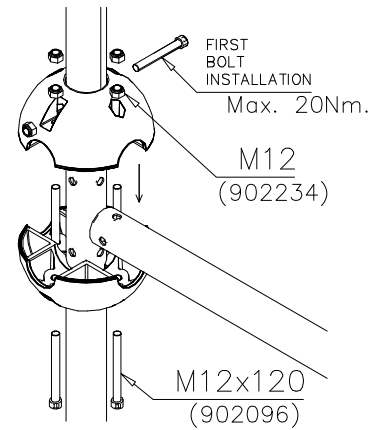
DET 4



DET 5

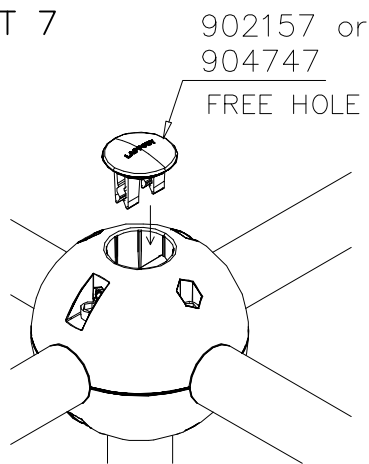


DET 6



REMEMBER  
FINAL  
TIGHTENING

DET 7



DET 8





**Tuotekyltti tulee tuotteen mukana yhdellä seuraavista tavoista:**

**1) Metallinen tuotekyltti ja kiinnitysruuvit**

- Kiinnitä tuotekyltti ruuveilla tolppaan noin 2 metrin korkeuteen kuvan 2 mukaisesti.

**2) Tuotekylttitarra**

- Puhdista maalattu metalli- tai vaneripinta pölystä ja kosteudesta. Liimaa tarra kuvan 3 mukaisesti.
- Huom. Älä kiinnitä tarraa karheapintaiseen laminaattiin tai maalattuun puuhun.

**Vår produktmärkning levereras på ett av följande sätt:**

**1) Produktskylt i metall**

- Fäst skylten med de medföljande skruvarna

**2) Självhäftande produktetikett**

- Rengördenpulverlackerademetallytanellerlaminatytansåttndenblirfrifrånsmutsochfukt.Fästetikettenenligtfig.3.
- Obs! Fäst ej etiketten på detaljer med skrovlig yta eller på målat trä.

**Product label is delivered by one of following ways:**

**1) Metal product label and screws**

- Fasten the label with screws.

**2) Label sticker**

- Cleanthepaintedmetalorplywoodsurfacefromdirtandmoisture.Fastenthestickerasshowninthefigure3.
- Note. Do not attach the sticker to rough surfaced laminate or painted wood.

**La plaque d'informations produit est livrée sous l'une de ces 3 formes :**

**1) Plaque métallique et vis**

- Fixez la plaque à l'aide des vis.

**2) Etiquette autocollante**

- Avant de coller l'étiquette, nettoyez le composant métallique peint ou la plaque de contreplaqué, de toute saleté. La surface doit être sèche (voir image 3).
- Attention, ne pas coller l'étiquette sur une surface lamellé-collée irrégulière ou sur du bois peint.

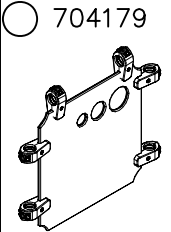
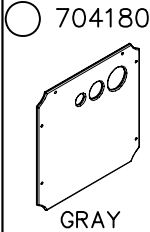
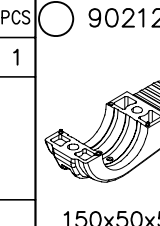
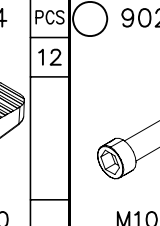
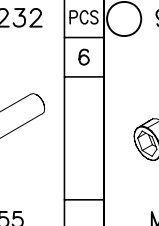
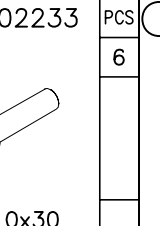
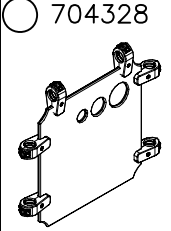
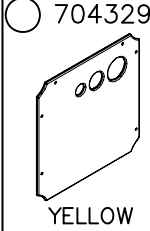
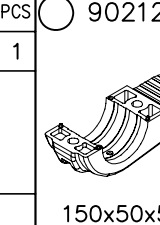
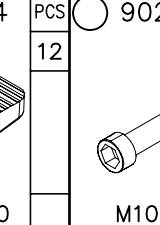
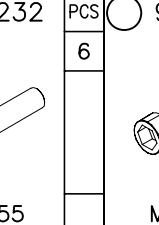
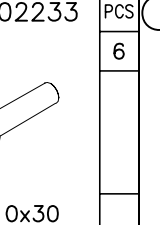
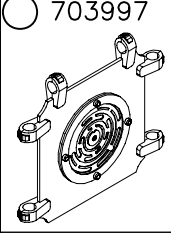
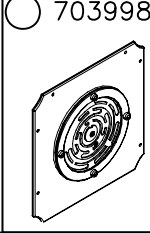
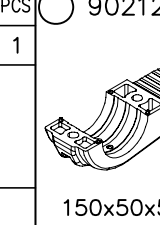
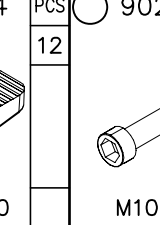
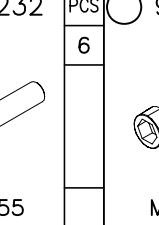
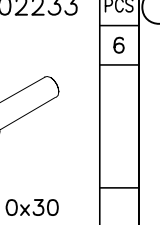
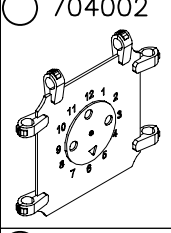
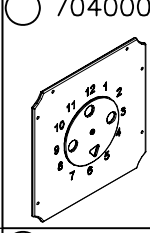
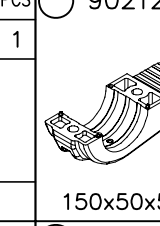
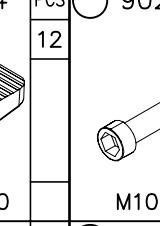
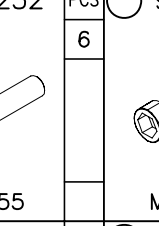
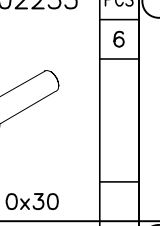
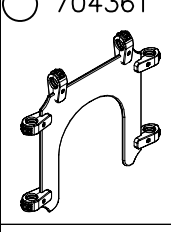
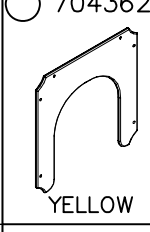
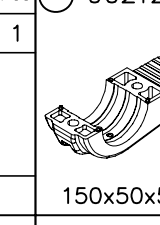
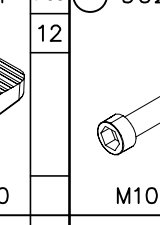
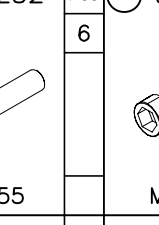
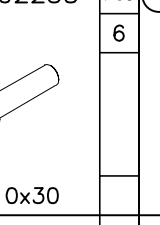
**Die Auslieferung des Produktaufklebers erfolgt auf eine dieser Arten:**

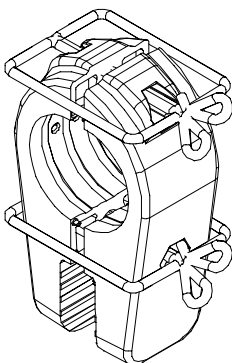
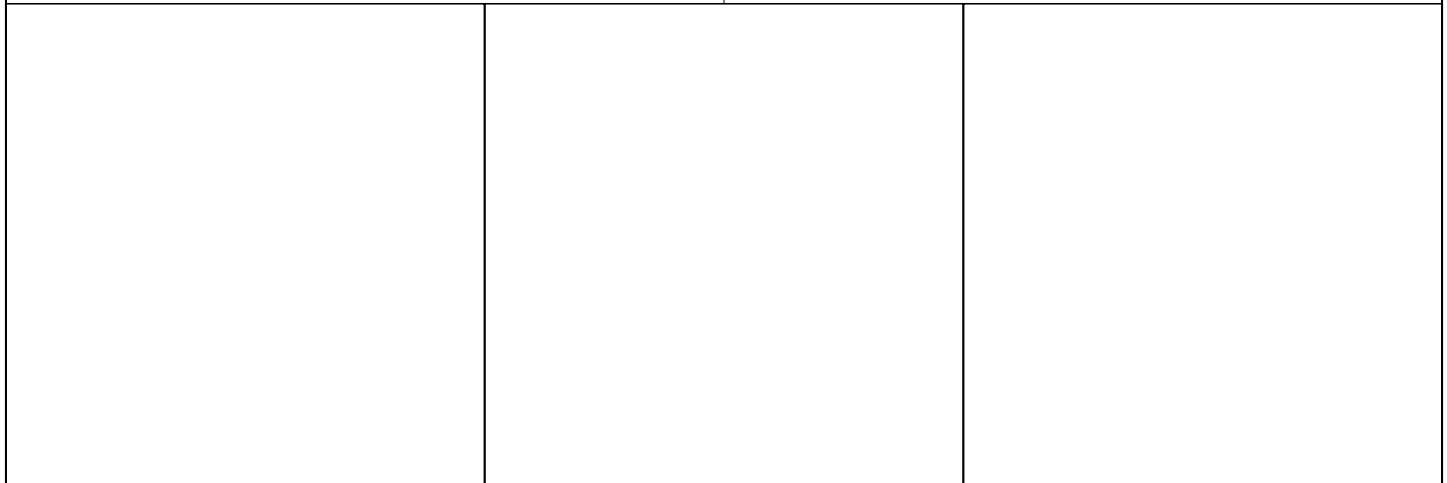
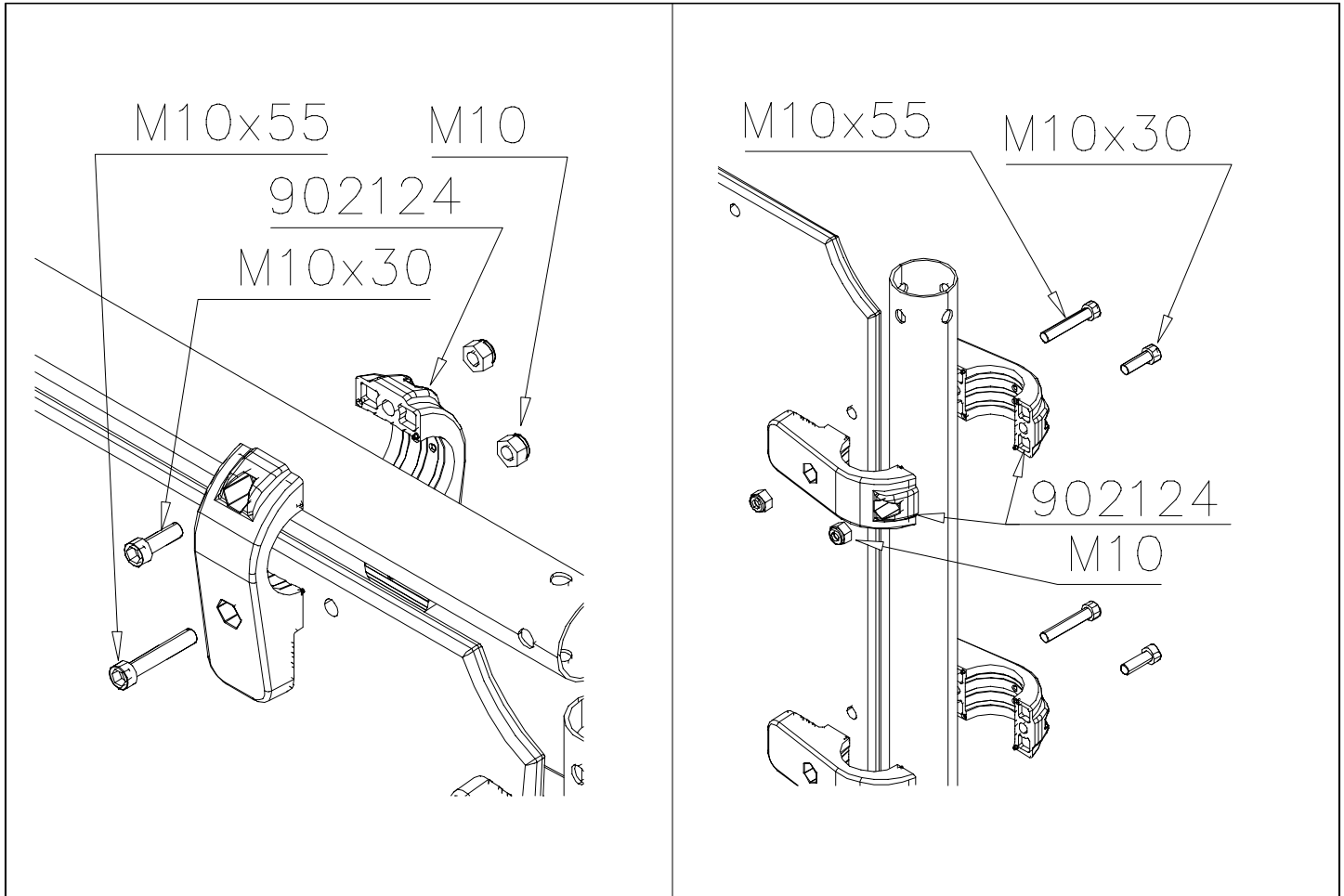
**1) Produkt-Schild aus Metall incl. Schrauben**

- Die Befestigung des Schildes erfolgt mittels der Schrauben.

**2) Aufkleber**

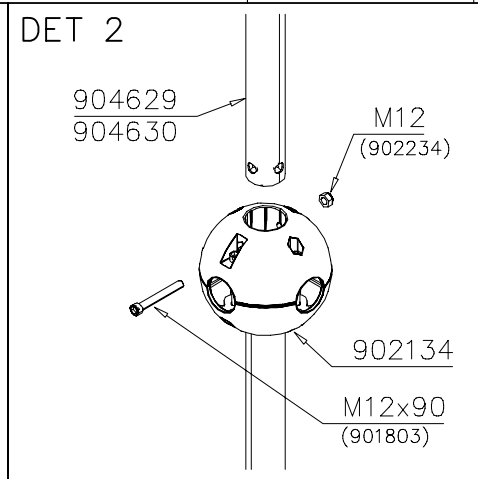
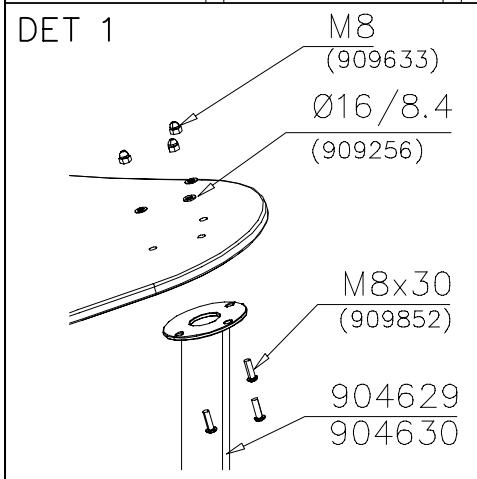
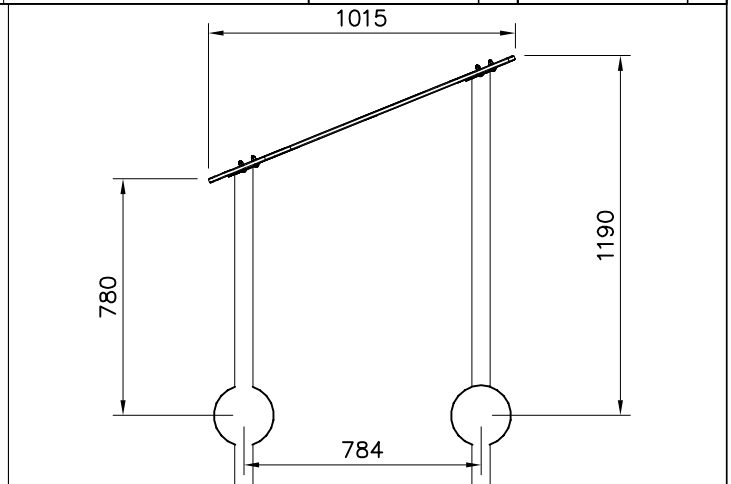
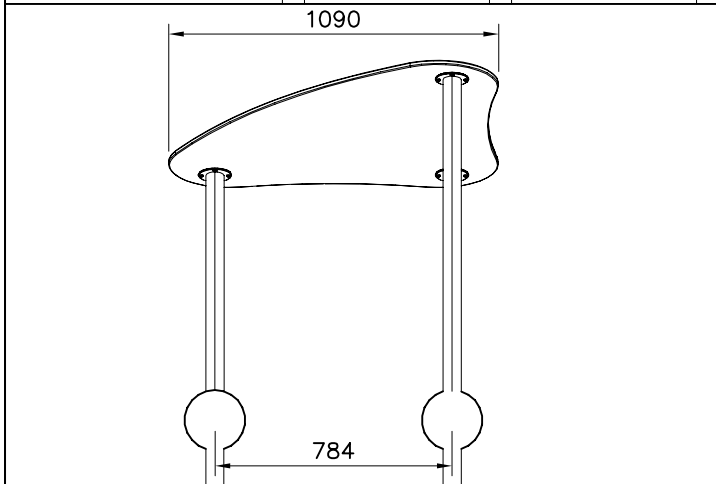
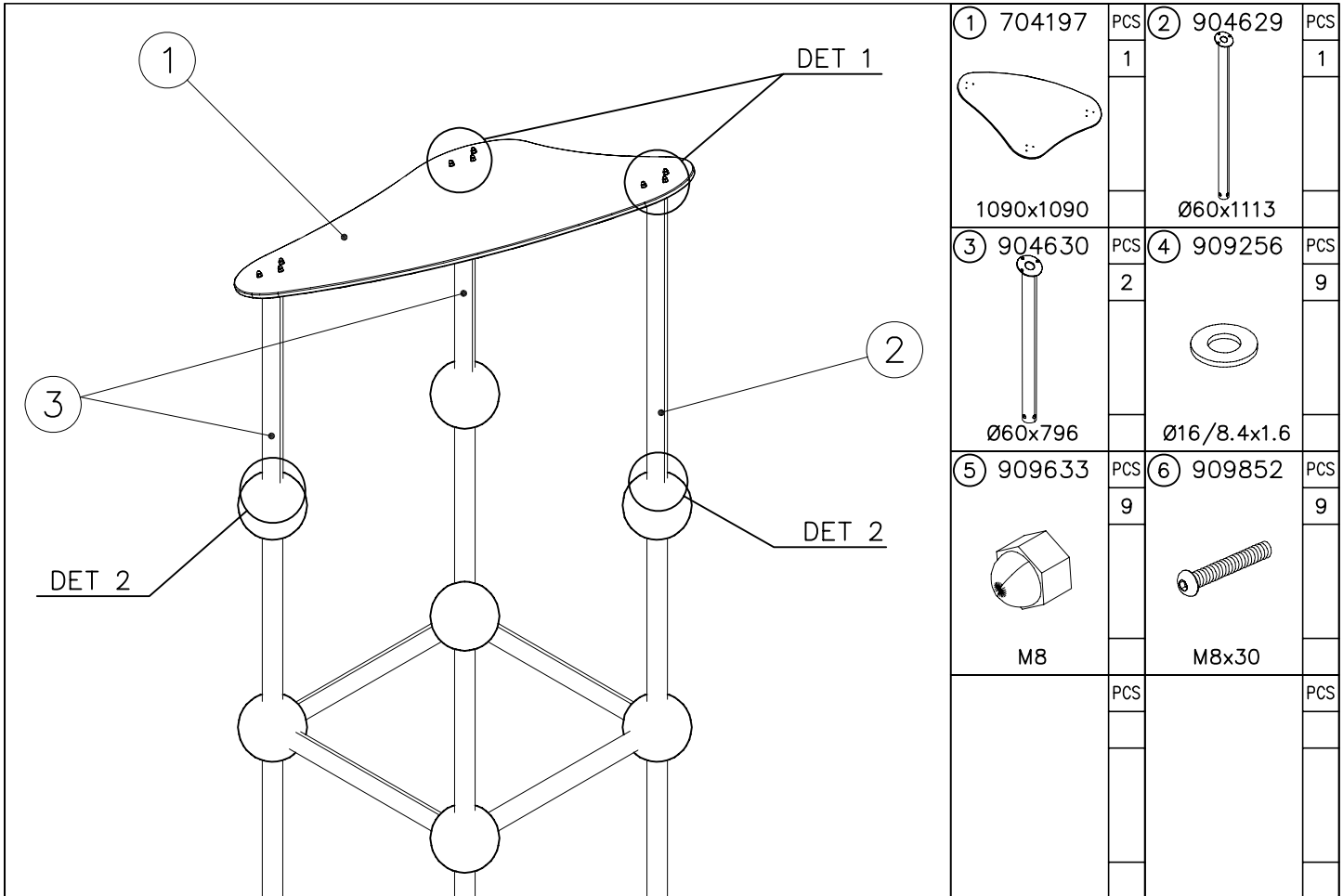
- EntfernenSiezunächstSchmutzundFeuchtigkeitvomlackiertenMetallbzw.vonderHolzoberflächeundbringenSiedenAufkleber wie im Bild oben rechts beschrieben auf den gesäuberten Untergrund auf.
- Beachten Sie: Bringen Sie den Aufkleber nicht auf raues laminiertes oder lackiertes Holz an.

 <p>704179</p>	 <p>704180 GRAY</p>	<p>PCS</p> <p>1</p>	 <p>902124</p> <p>150x50x50</p>	<p>PCS</p> <p>12</p>	 <p>902232</p> <p>M10x55</p>	<p>PCS</p> <p>6</p>	 <p>902233</p> <p>M10x30</p>	<p>PCS</p> <p>6</p>	 <p>980161</p> <p>M10</p>	<p>PCS</p> <p>12</p>		<p>PCS</p>
 <p>704328</p>	 <p>704329 YELLOW</p>	<p>PCS</p> <p>1</p>	 <p>902124</p> <p>150x50x50</p>	<p>PCS</p> <p>12</p>	 <p>902232</p> <p>M10x55</p>	<p>PCS</p> <p>6</p>	 <p>902233</p> <p>M10x30</p>	<p>PCS</p> <p>6</p>	 <p>980161</p> <p>M10</p>	<p>PCS</p> <p>12</p>		<p>PCS</p>
 <p>703997</p>	 <p>703998</p>	<p>PCS</p> <p>1</p>	 <p>902124</p> <p>150x50x50</p>	<p>PCS</p> <p>12</p>	 <p>902232</p> <p>M10x55</p>	<p>PCS</p> <p>6</p>	 <p>902233</p> <p>M10x30</p>	<p>PCS</p> <p>6</p>	 <p>980161</p> <p>M10</p>	<p>PCS</p> <p>12</p>		<p>PCS</p>
 <p>704002</p>	 <p>704000</p>	<p>PCS</p> <p>1</p>	 <p>902124</p> <p>150x50x50</p>	<p>PCS</p> <p>12</p>	 <p>902232</p> <p>M10x55</p>	<p>PCS</p> <p>6</p>	 <p>902233</p> <p>M10x30</p>	<p>PCS</p> <p>6</p>	 <p>980161</p> <p>M10</p>	<p>PCS</p> <p>12</p>		<p>PCS</p>
 <p>704361</p>	 <p>704362 YELLOW</p>	<p>PCS</p> <p>1</p>	 <p>902124</p> <p>150x50x50</p>	<p>PCS</p> <p>12</p>	 <p>902232</p> <p>M10x55</p>	<p>PCS</p> <p>6</p>	 <p>902233</p> <p>M10x30</p>	<p>PCS</p> <p>6</p>	 <p>980161</p> <p>M10</p>	<p>PCS</p> <p>12</p>		<p>PCS</p>
		<p>PCS</p>		<p>PCS</p>		<p>PCS</p>		<p>PCS</p>		<p>PCS</p>		<p>PCS</p>
		<p>PCS</p>		<p>PCS</p>		<p>PCS</p>		<p>PCS</p>		<p>PCS</p>		<p>PCS</p>
		<p>PCS</p>		<p>PCS</p>		<p>PCS</p>		<p>PCS</p>		<p>PCS</p>		<p>PCS</p>



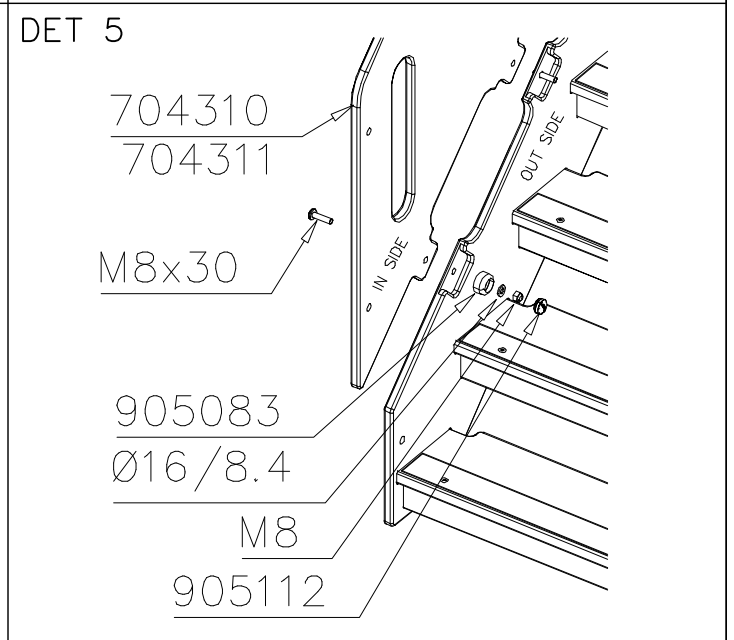
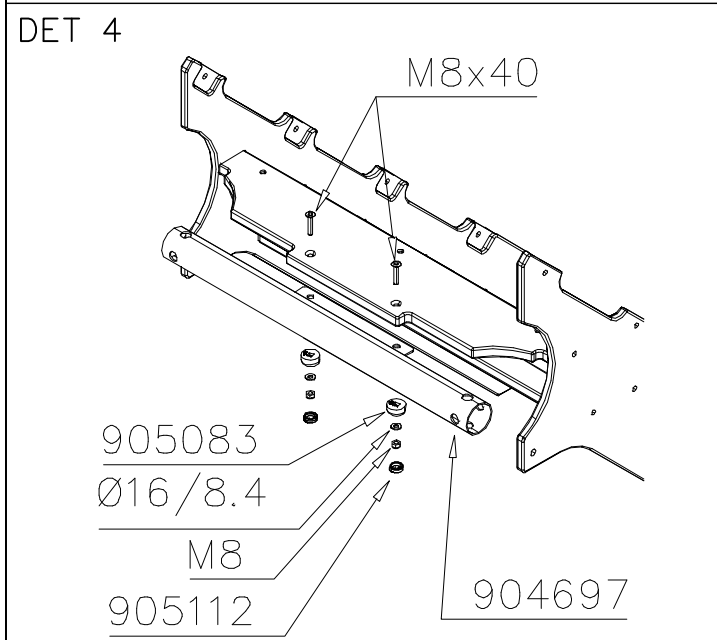
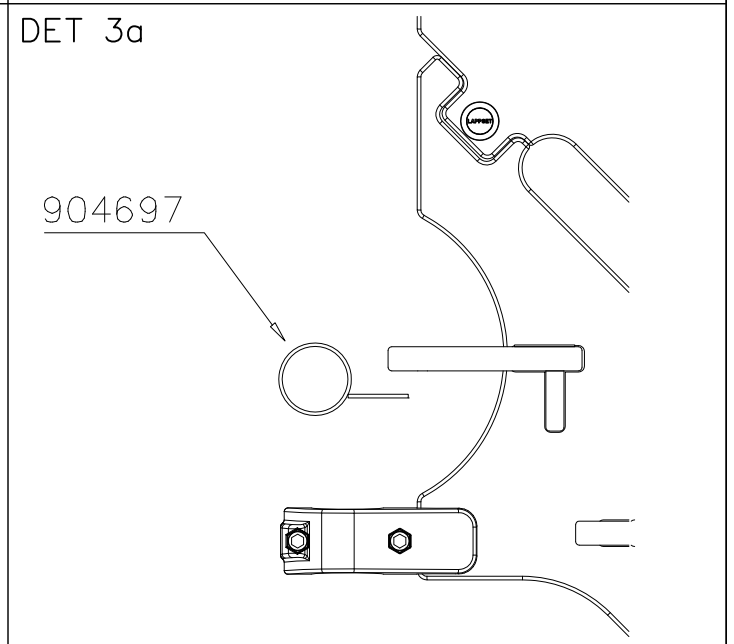
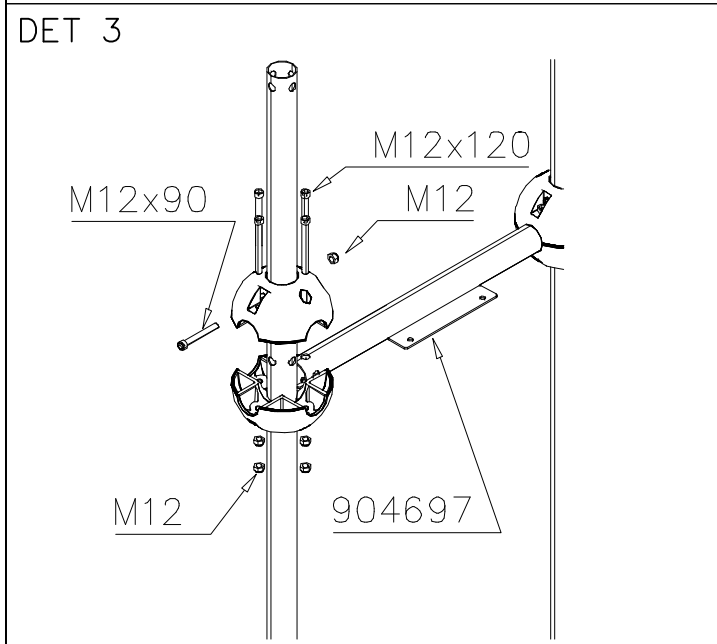
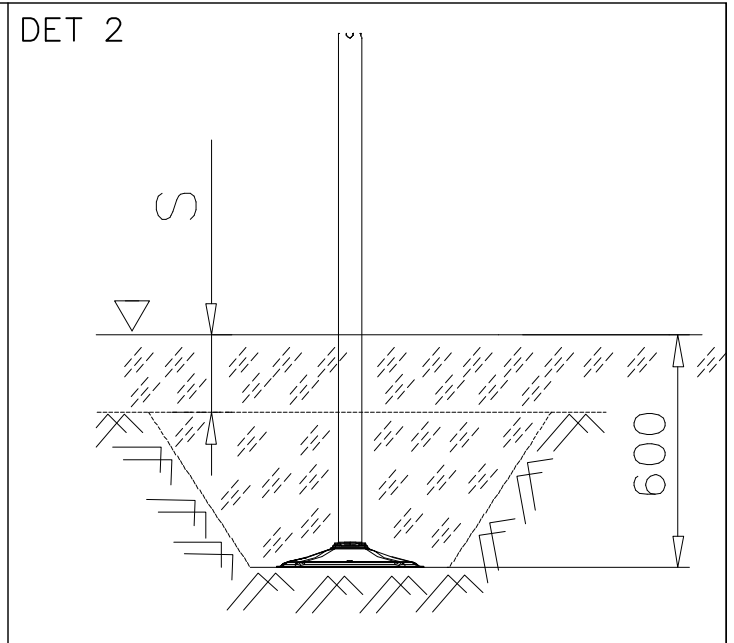
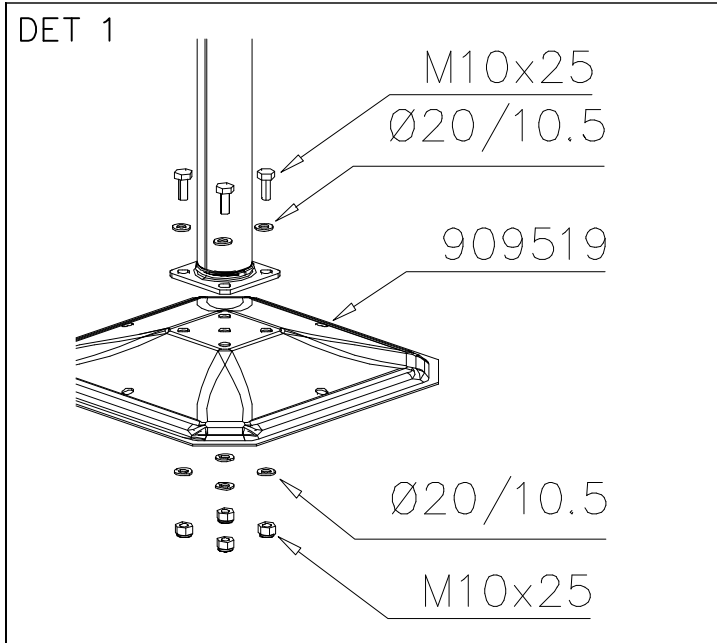
NOTE:  
 Use a wire marked pairs  
 of the same junction.

Huom!  
 Käytä langalla merkittyä  
 paria samassa liitoksessa.

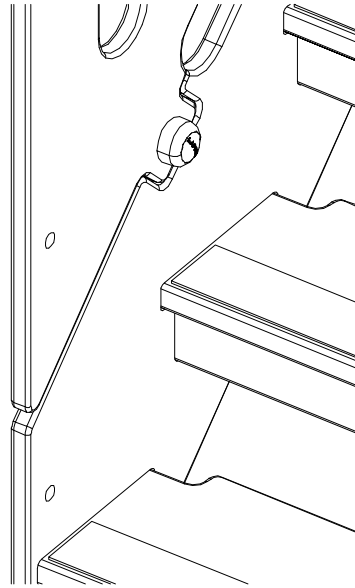




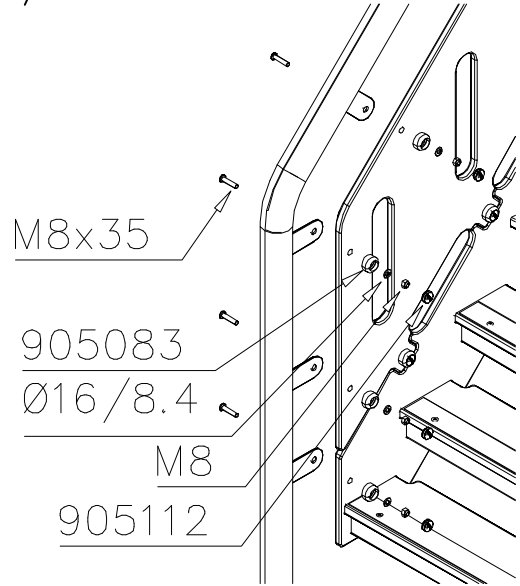
				<p>① 704309 PCS 1</p>	<p>② 704310 PCS 1</p> <p>LEFT</p>
				<p>③ 704311 PCS 1</p> <p>RIGHT</p>	<p>④ 902124 PCS 12</p> <p>150x50x50</p>
				<p>⑤ 902232 PCS 6</p> <p>M10x55</p>	<p>⑥ 902233 PCS 6</p> <p>M10x30</p>
				<p>⑦ 904068 PCS 2</p> <p>M8x40</p>	<p>⑧ 904697 PCS 1</p> <p>Ø60.3x2.9x710</p>
				<p>⑨ 904760 PCS 1</p> <p>LEFT</p>	<p>⑩ 904761 PCS 1</p> <p>RIGHT</p>
				<p>⑪ 905083 PCS 20</p> <p>Ø32</p>	<p>⑫ 905112 PCS 20</p> <p>Ø22</p>
				<p>⑬ 909256 PCS 20</p> <p>Ø16/8.4x1.6</p>	<p>⑭ 909519 PCS 2</p> <p>50x380x380</p>
				<p>⑮ 909637 PCS 8</p> <p>M10</p>	<p>⑯ 909638 PCS 16</p> <p>Ø20/10.5</p>
				<p>⑰ 909639 PCS 8</p> <p>M10x25</p>	<p>⑱ 909852 PCS 8</p> <p>M8x30</p>
				<p>⑲ 909855 PCS 10</p> <p>M8x35</p>	<p>⑳ 980160 PCS 20</p> <p>M8</p>
				<p>㉑ 980161 PCS 12</p> <p>M10</p>	



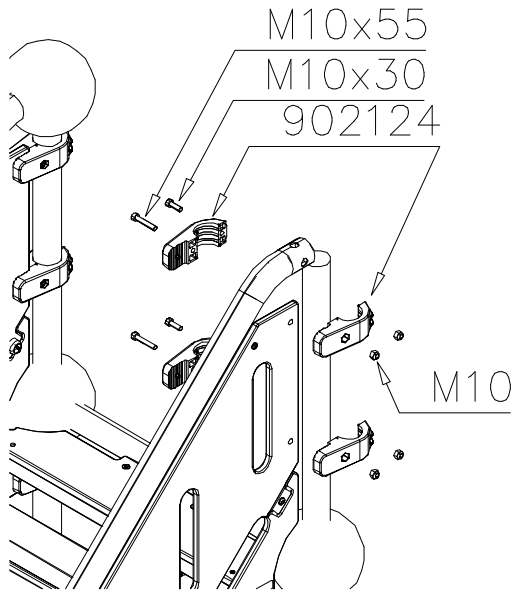
DET 6

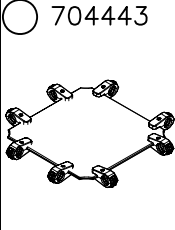
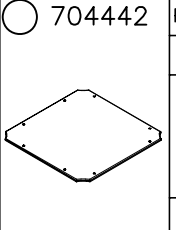
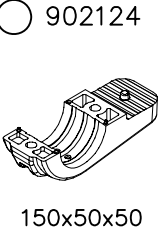
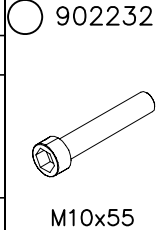
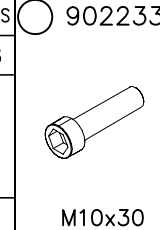
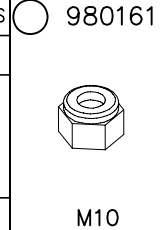
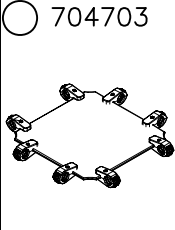
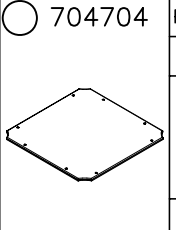
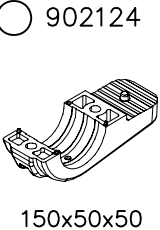
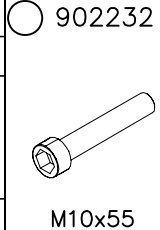
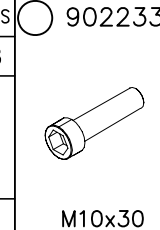
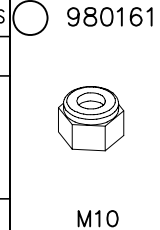
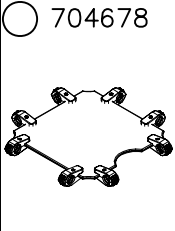
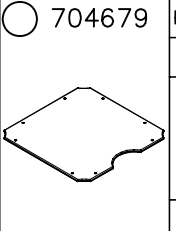
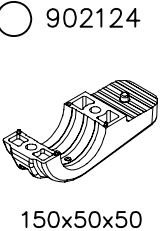
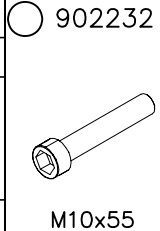
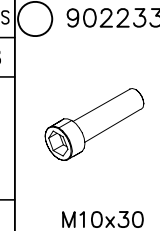
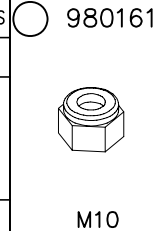
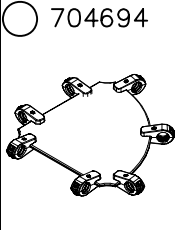
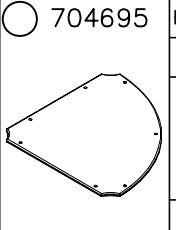
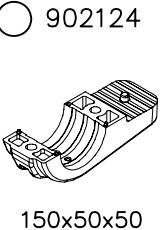
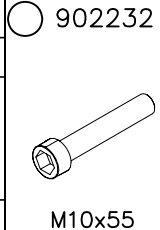
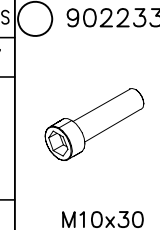
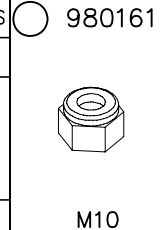


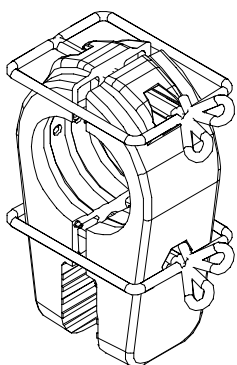
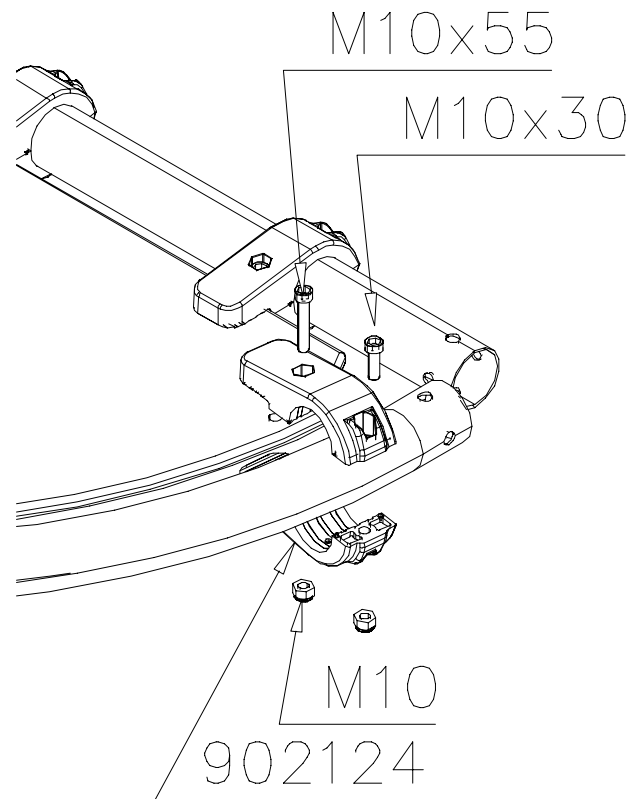
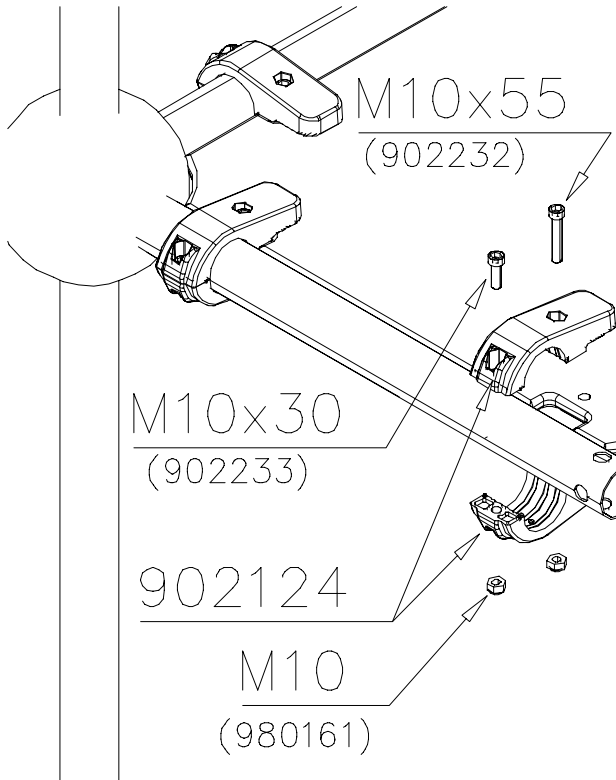
DET 7



DET 8



 <p>704443</p>	 <p>704442</p>	<p>PCS</p> <p>1</p>	 <p>902124</p> <p>150x50x50</p>	<p>PCS</p> <p>16</p>	 <p>902232</p> <p>M10x55</p>	<p>PCS</p> <p>8</p>	 <p>902233</p> <p>M10x30</p>	<p>PCS</p> <p>8</p>	 <p>980161</p> <p>M10</p>	<p>PCS</p> <p>16</p>		<p>PCS</p>
 <p>704703</p>	 <p>704704</p>	<p>PCS</p> <p>1</p>	 <p>902124</p> <p>150x50x50</p>	<p>PCS</p> <p>16</p>	 <p>902232</p> <p>M10x55</p>	<p>PCS</p> <p>8</p>	 <p>902233</p> <p>M10x30</p>	<p>PCS</p> <p>8</p>	 <p>980161</p> <p>M10</p>	<p>PCS</p> <p>16</p>		<p>PCS</p>
 <p>704678</p>	 <p>704679</p>	<p>PCS</p> <p>1</p>	 <p>902124</p> <p>150x50x50</p>	<p>PCS</p> <p>16</p>	 <p>902232</p> <p>M10x55</p>	<p>PCS</p> <p>8</p>	 <p>902233</p> <p>M10x30</p>	<p>PCS</p> <p>8</p>	 <p>980161</p> <p>M10</p>	<p>PCS</p> <p>16</p>		<p>PCS</p>
 <p>704694</p>	 <p>704695</p>	<p>PCS</p> <p>1</p>	 <p>902124</p> <p>150x50x50</p>	<p>PCS</p> <p>14</p>	 <p>902232</p> <p>M10x55</p>	<p>PCS</p> <p>7</p>	 <p>902233</p> <p>M10x30</p>	<p>PCS</p> <p>7</p>	 <p>980161</p> <p>M10</p>	<p>PCS</p> <p>14</p>		<p>PCS</p>
		<p>PCS</p>		<p>PCS</p>		<p>PCS</p>		<p>PCS</p>		<p>PCS</p>		<p>PCS</p>
		<p>PCS</p>		<p>PCS</p>		<p>PCS</p>		<p>PCS</p>		<p>PCS</p>		<p>PCS</p>
		<p>PCS</p>		<p>PCS</p>		<p>PCS</p>		<p>PCS</p>		<p>PCS</p>		<p>PCS</p>
		<p>PCS</p>		<p>PCS</p>		<p>PCS</p>		<p>PCS</p>		<p>PCS</p>		<p>PCS</p>



**NOTE:**

Use a wire marked pairs of the same junction.

**Huom!**

Käytä langalla merkittyä paria samassa liitoksessa.

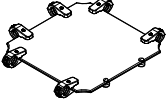
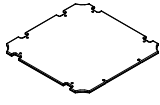
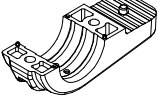
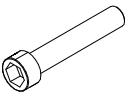
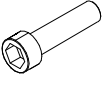
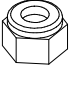
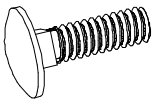

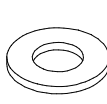

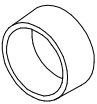
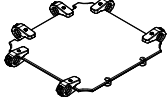
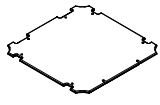
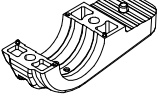
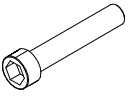
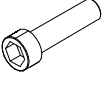
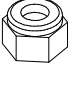
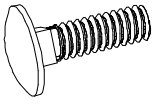

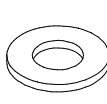

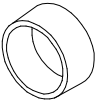
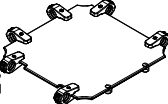
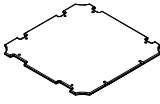
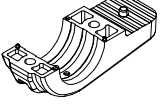
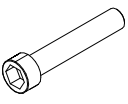
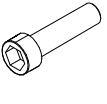
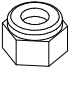
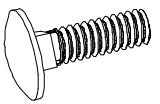

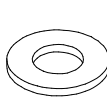

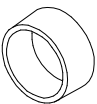
# LAPPSET®

## FLOOR (SLIDE)

# CLOXX

DATE: 3.10.2013

1(3)

○ 704432 	○ 704038 	PCS 1	○ 902124  150x50x50	PCS 12	○ 902232  M10x55	PCS 6	○ 902233  M10x30	PCS 6	○ 980161  M10	PCS 12		PCS
		PCS	○ 909109  M12x40	PCS 2	○ 905090  Ø45	PCS 2	○ 980154  Ø24/13	PCS 2	○ 909248  M12	PCS 2	○ 905115  Ø32	PCS 2
		PCS		PCS		PCS		PCS		PCS		PCS
○ 704447 	○ 704446 	PCS 1	○ 902124  150x50x50	PCS 12	○ 902232  M10x55	PCS 6	○ 902233  M10x30	PCS 6	○ 980161  M10	PCS 12		PCS
		PCS	○ 909109  M12x40	PCS 2	○ 905090  Ø45	PCS 2	○ 980154  Ø24/13	PCS 2	○ 909248  M12	PCS 2	○ 905115  Ø32	PCS 2
		PCS		PCS		PCS		PCS		PCS		PCS
○ 704666 	○ 704667 	PCS 1	○ 902124  150x50x50	PCS 12	○ 902232  M10x55	PCS 6	○ 902233  M10x30	PCS 6	○ 980161  M10	PCS 12		PCS
		PCS	○ 909109  M12x40	PCS 2	○ 905090  Ø45	PCS 2	○ 980154  Ø24/13	PCS 2	○ 909248  M12	PCS 2	○ 905115  Ø32	PCS 2
		PCS		PCS		PCS		PCS		PCS		PCS

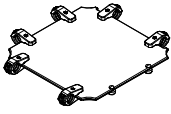
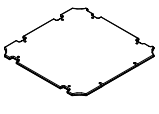
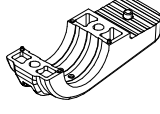
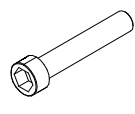
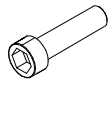
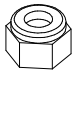
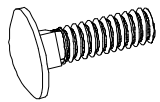
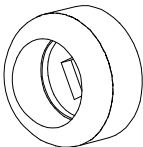
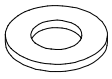
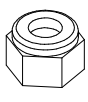
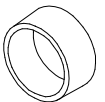
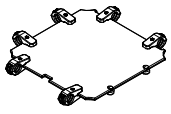
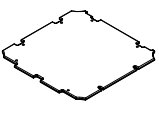
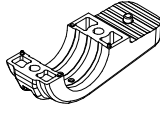
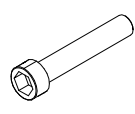
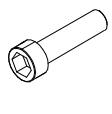
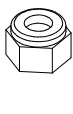
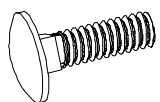
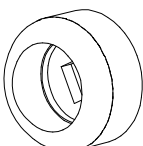
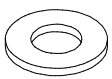
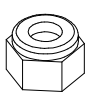
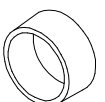
# LAPPSET®

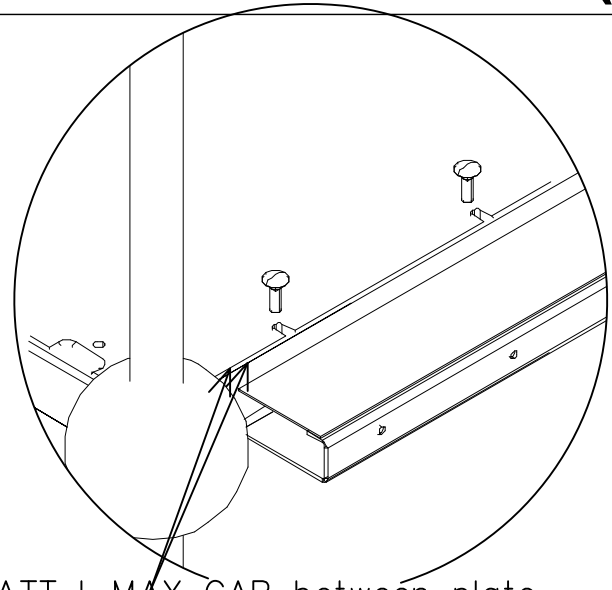
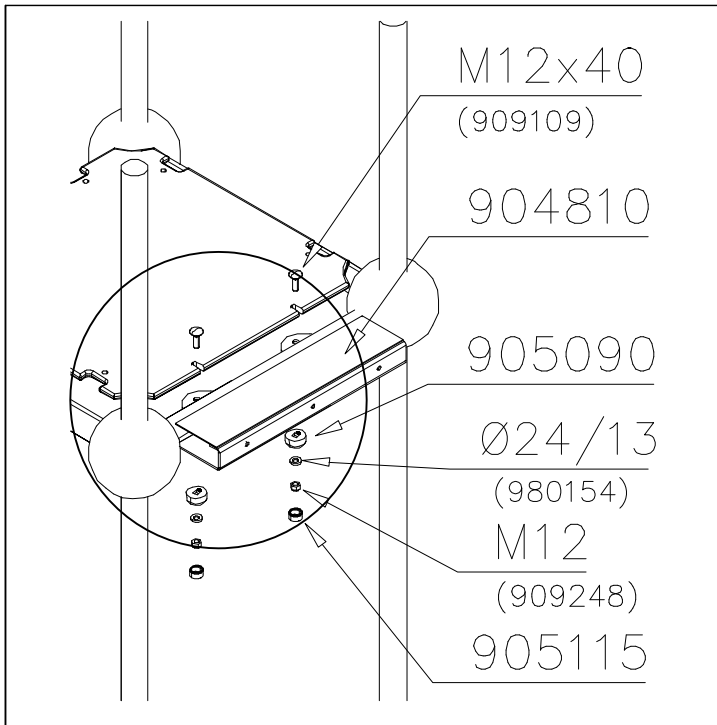
## FLOOR (SLIDE)

# CLOXX

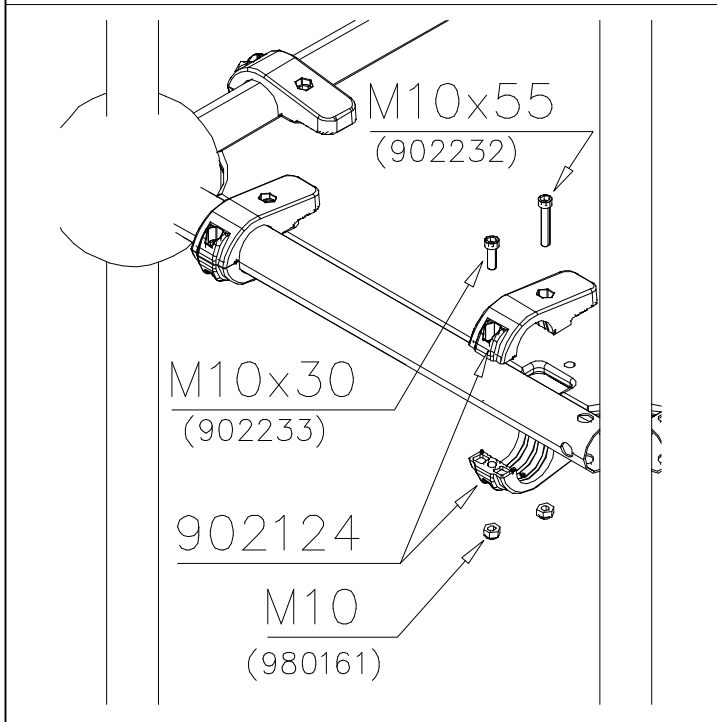
DATE: 3.10.2013

2(3)

○ 704684 	○ 704685 	PCS 1	○ 902124  150x50x50	PCS 12	○ 902232  M10x55	PCS 6	○ 902233  M10x30	PCS 6	○ 980161  M10	PCS 12		PCS
		PCS	○ 909109  M12x40	PCS 2	○ 905090  Ø45	PCS 2	○ 980154  Ø24/13	PCS 2	○ 909248  M12	PCS 2	○ 905115  Ø32	PCS 2
		PCS		PCS		PCS		PCS		PCS		PCS
○ 704692 	○ 704693 	PCS 1	○ 902124  150x50x50	PCS 12	○ 902232  M10x55	PCS 6	○ 902233  M10x30	PCS 6	○ 980161  M10	PCS 12		PCS
		PCS	○ 909109  M12x40	PCS 2	○ 905090  Ø45	PCS 2	○ 980154  Ø24/13	PCS 2	○ 909248  M12	PCS 2	○ 905115  Ø32	PCS 2
		PCS		PCS		PCS		PCS		PCS		PCS
		PCS		PCS		PCS		PCS		PCS		PCS
		PCS		PCS		PCS		PCS		PCS		PCS

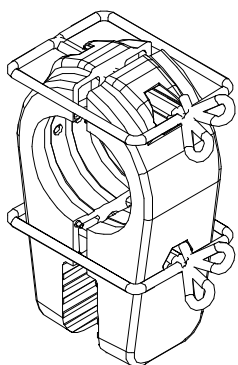
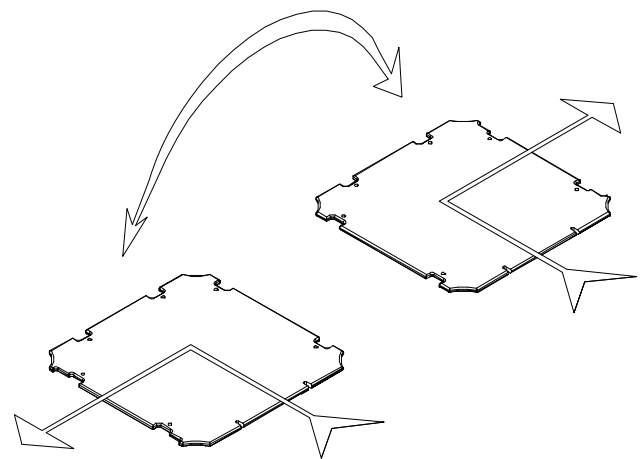


ATT ! MAX GAP between plate  
 and tube is 6mm  
 HUOM ! MAKSIMI VÄLI lattialevyllä  
 ja putkella on 6mm



KÄYTÄ TARVITTAESSA SAMAA LEVYÄ  
 VASEMALLE TAI OIKEALLE.

IF NECESSARY USE SAME PLATE LEFT  
 OR RIGHT.



NOTE:  
 Use a wire marked pairs  
 of the same junction.

Huom!  
 Käytä langalla merkittyä  
 paria samassa liitoksessa.