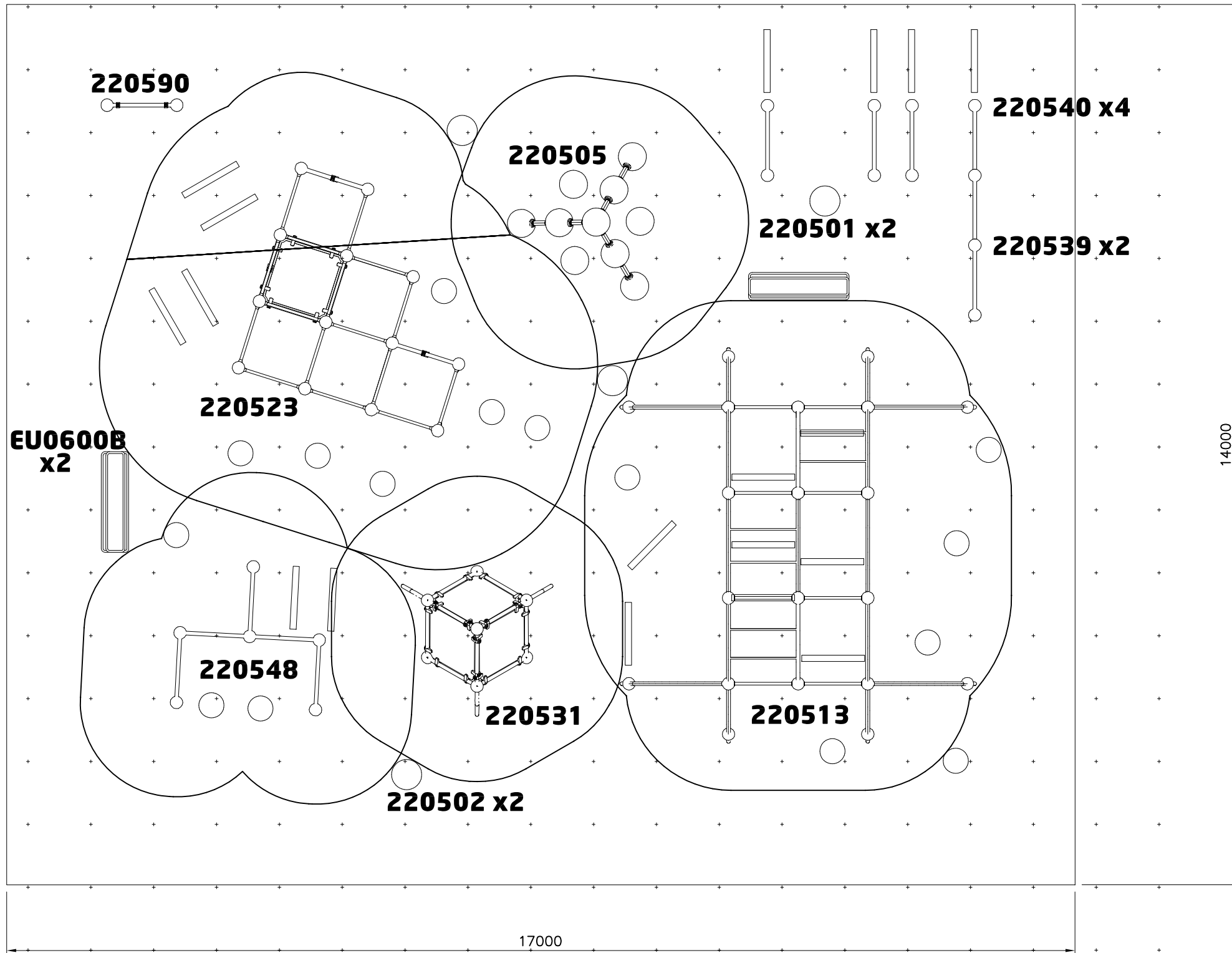
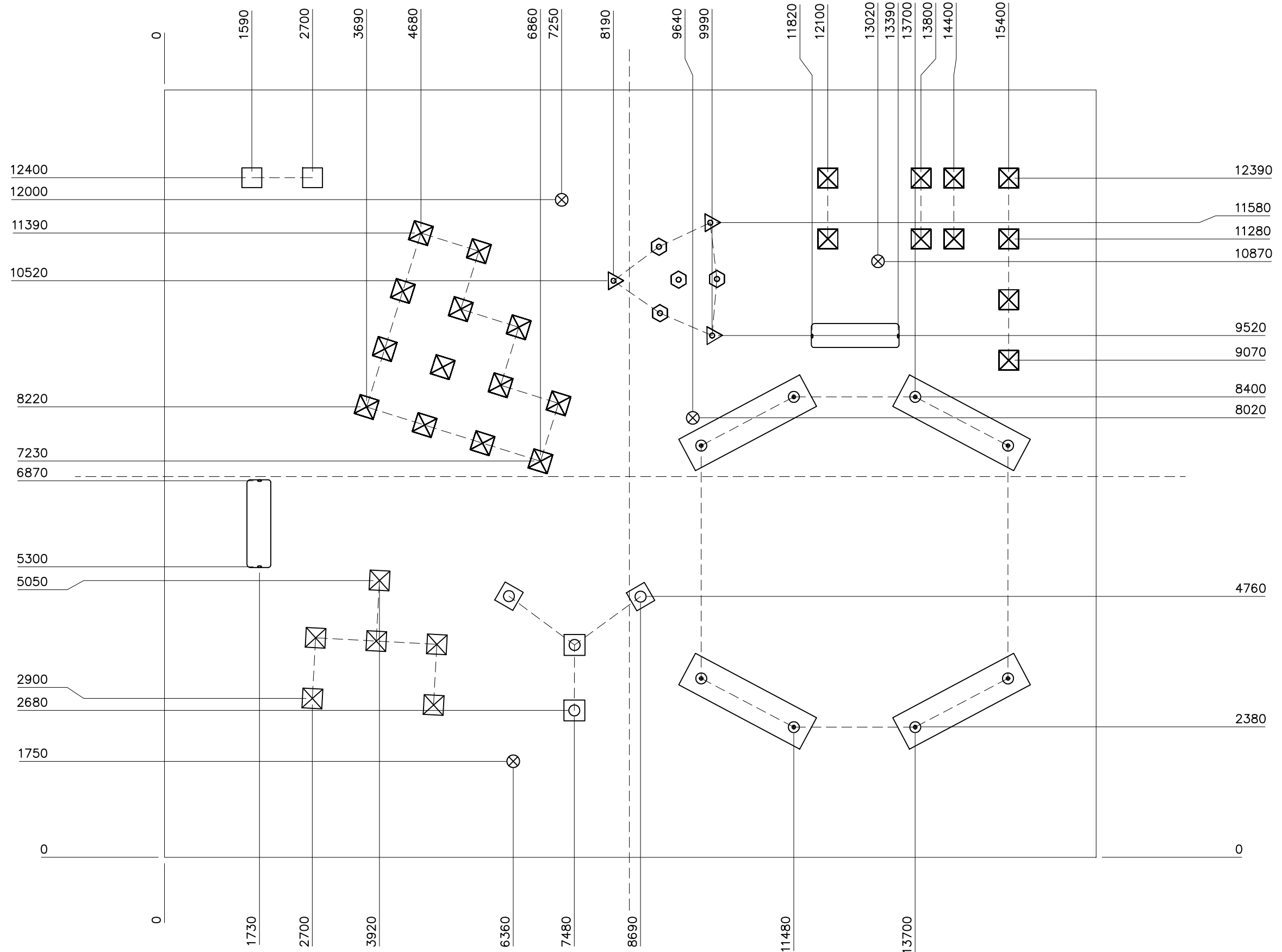
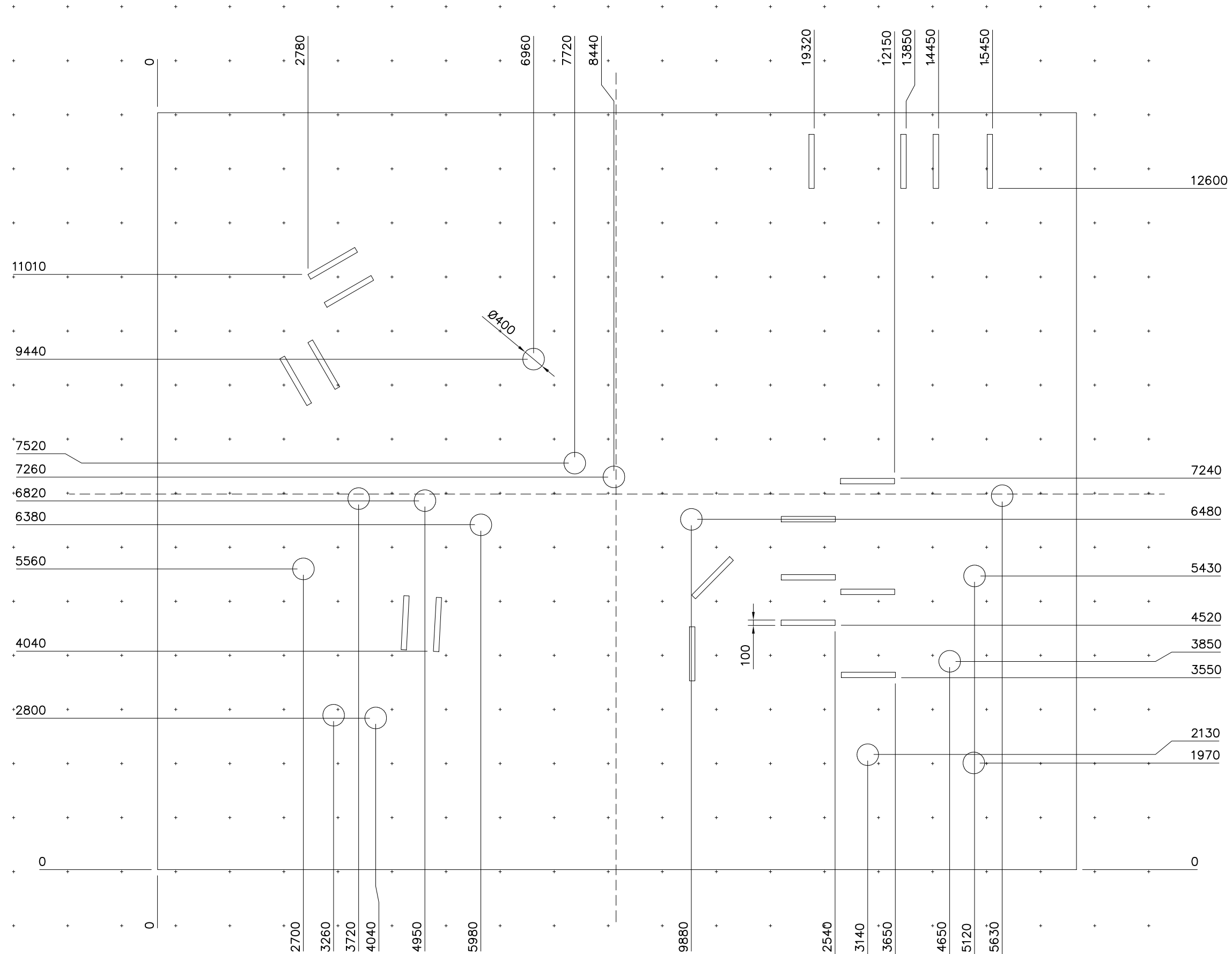


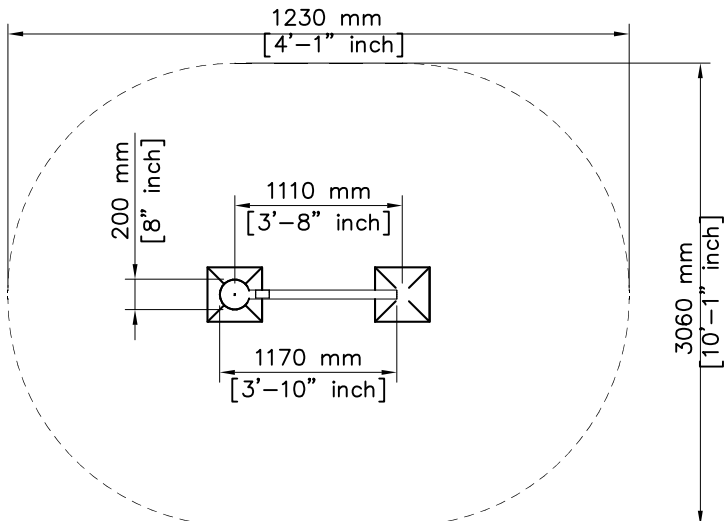
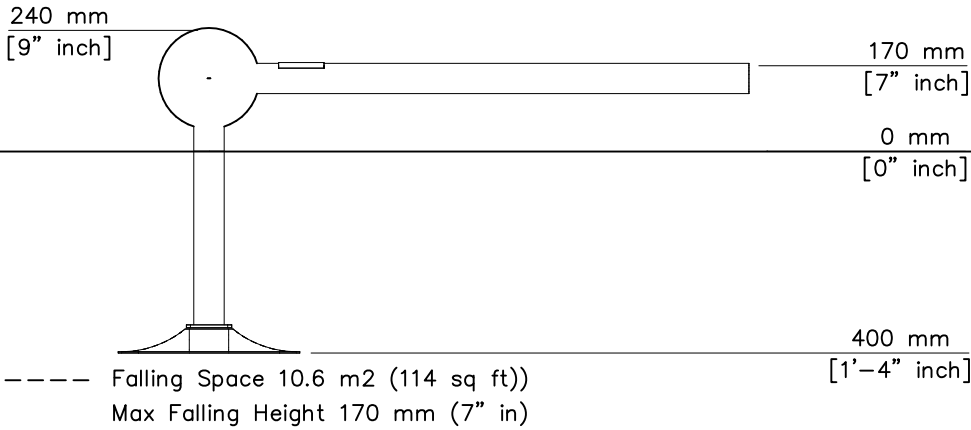
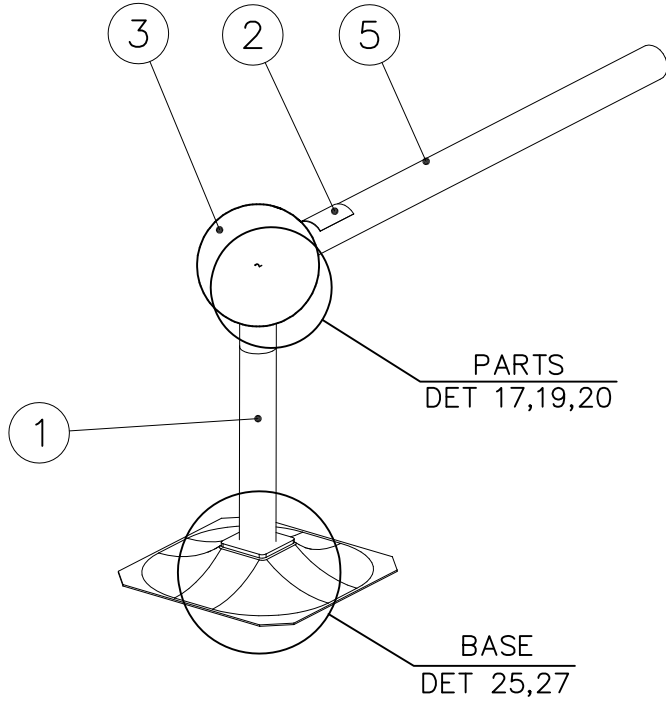
DATE: 17.4.2015

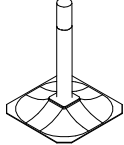
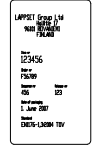
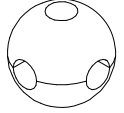
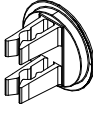
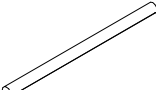




DATE: 17.4.2015





① 701985	PCS	② 702341	PCS
	1		1
		90x50	
③ 902134	PCS	④ 904747	PCS
	1		4
		60x60x2	
⑤ 902424	PCS		PCS
	1		
L 1034			
	PCS		PCS
	PCS		PCS
	PCS		PCS
	PCS		PCS

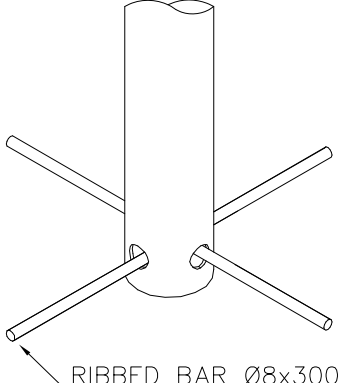
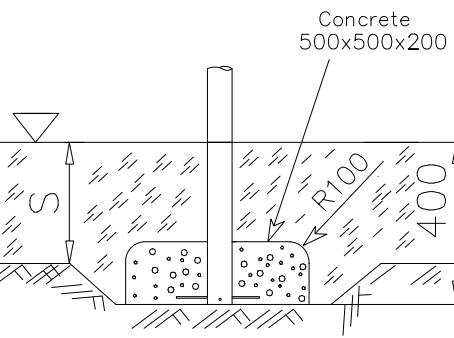
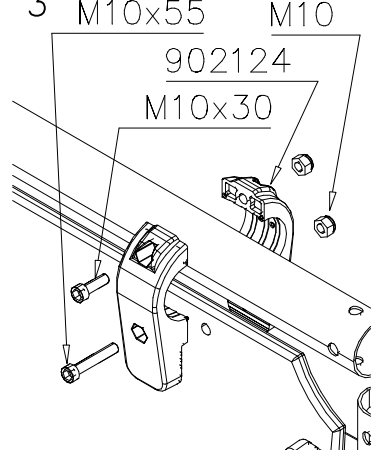
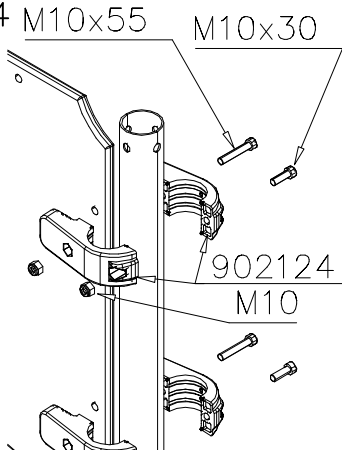
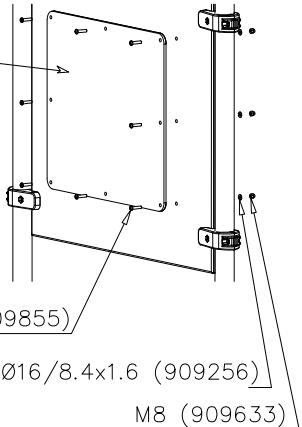
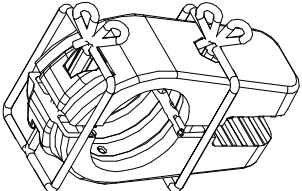
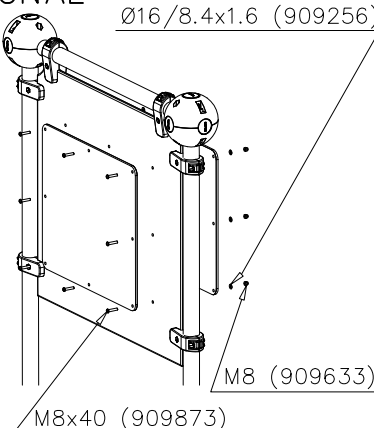
# LAPPSET PARKOUR

# 220590

DATE: 24.5.2018

# 1(2)

	<p>① 702341 PCS 1 90x50</p>	<p>② 704599 PCS 1 90x50</p>
	<p>③ 902134 PCS 2</p>	<p>④ 902157 PCS 8 60x60x2</p>
	<p>⑤ 902424 PCS 1 L 1034</p>	<p>⑥ 904130 PCS 2 L 2148</p>
	<p>⑦ 902124 PCS 12 150x50x50</p>	<p>⑧ 980161 PCS 12 M10</p>
	<p>⑨ 902232 PCS 6 M10x55</p>	<p>⑩ 902233 PCS 6 M10x30</p>
	<p>⑪ 704829 PCS 1 15x913x993</p>	<p>⑬ 909855 PCS 8 M8x35</p>
	<p>⑭ 909256 PCS 8 Ø16/8.4x1.6</p>	<p>⑮ 909633 PCS 8 M8</p>
	<p>⑯ 909873 PCS 8 M8x40</p>	<p>⑰ 704855-704866 PCS 1 NOT INCLUDED 8x560x640</p>

<p>DET 1</p>  <p>RIBBED BAR Ø8x300</p>	<p>DET 2</p>  <p>Concrete 500x500x200</p>	<p>DET 3</p>  <p>M10x55 M10 902124 M10x30</p>
<p>DET 4</p>  <p>M10x55 M10x30 902124 M10</p>	<p>DET 5</p>  <p>NOTE: Various signs.</p> <p>HUOM: Useita erilaisia kylttejä.</p> <p>M8x35 (909855) Ø16/8.4x1.6 (909256) M8 (909633)</p>	 <p>NOTE: Use a wire marked pairs of the same junction.</p> <p>Huom! Käytä langalla merkittyä paria samassa liitoksessa.</p>
<p>OPTIONAL</p>  <p>Ø16/8.4x1.6 (909256) M8 (909633) M8x40 (909873)</p>		

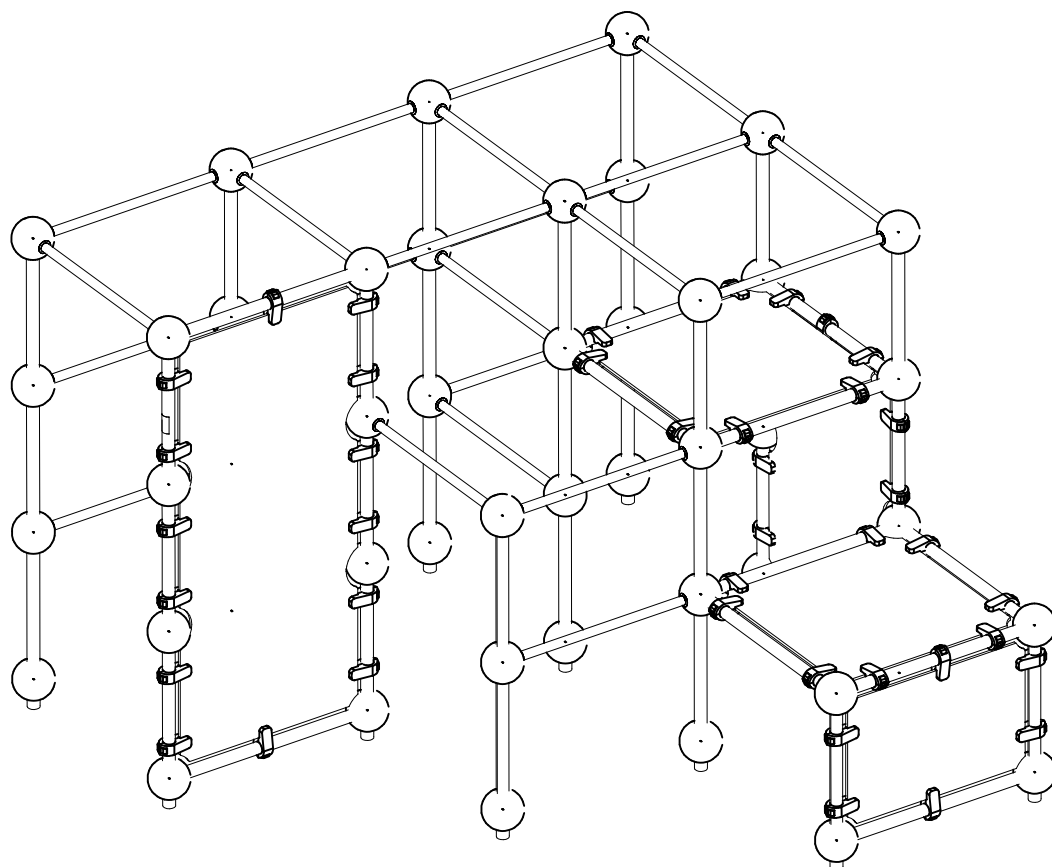
# **LAPPSET®**

## **PARKOUR**

ASENNUSOHJE  
MONTERINGSANSVISNING  
INSTALLATION INSTRUCTION  
AUFBAUANLEITUNG  
NOTICE D'INSTALLATION

DATE: 23.2.2015

# **220523**

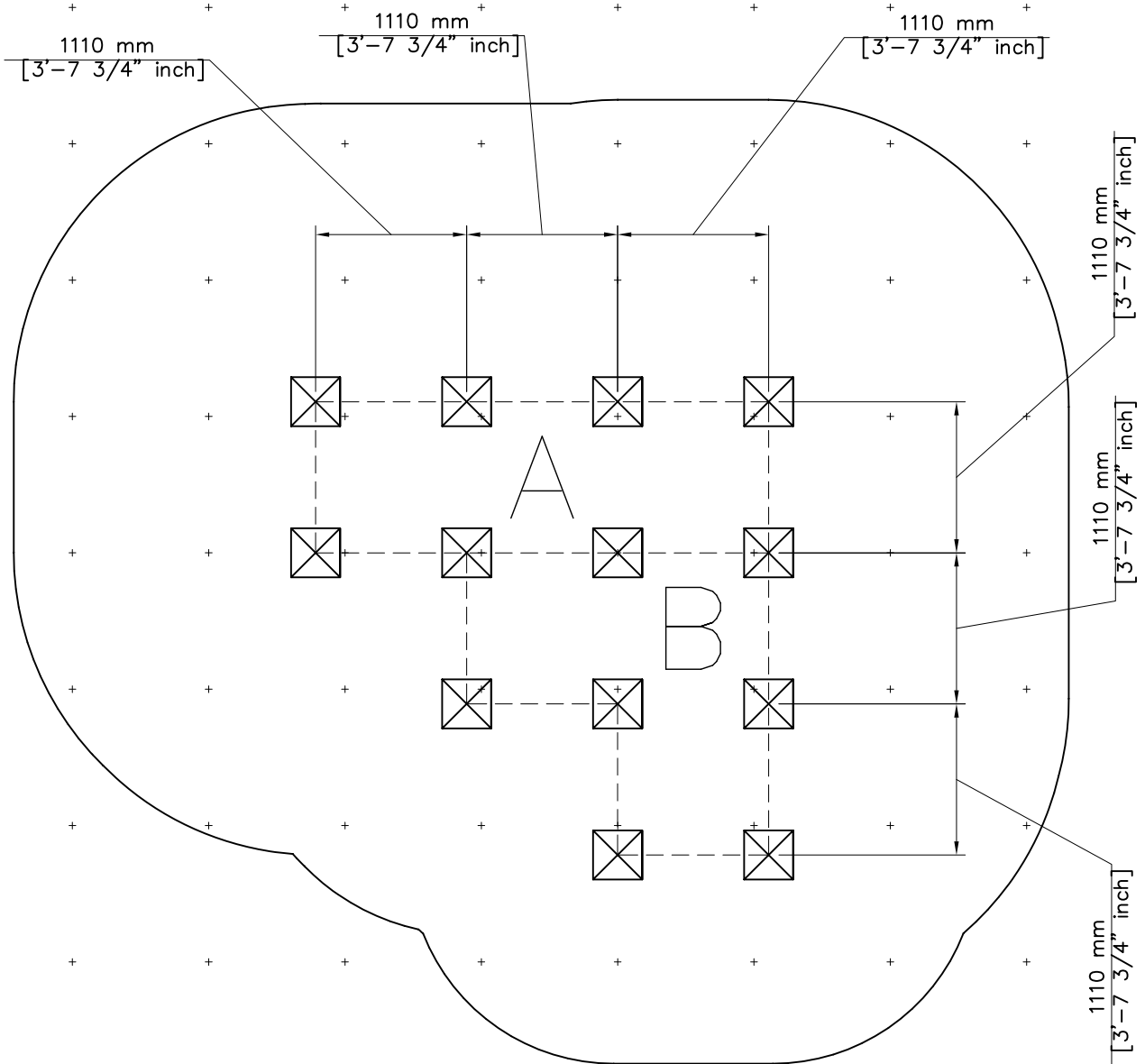
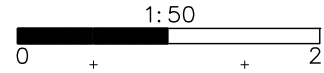




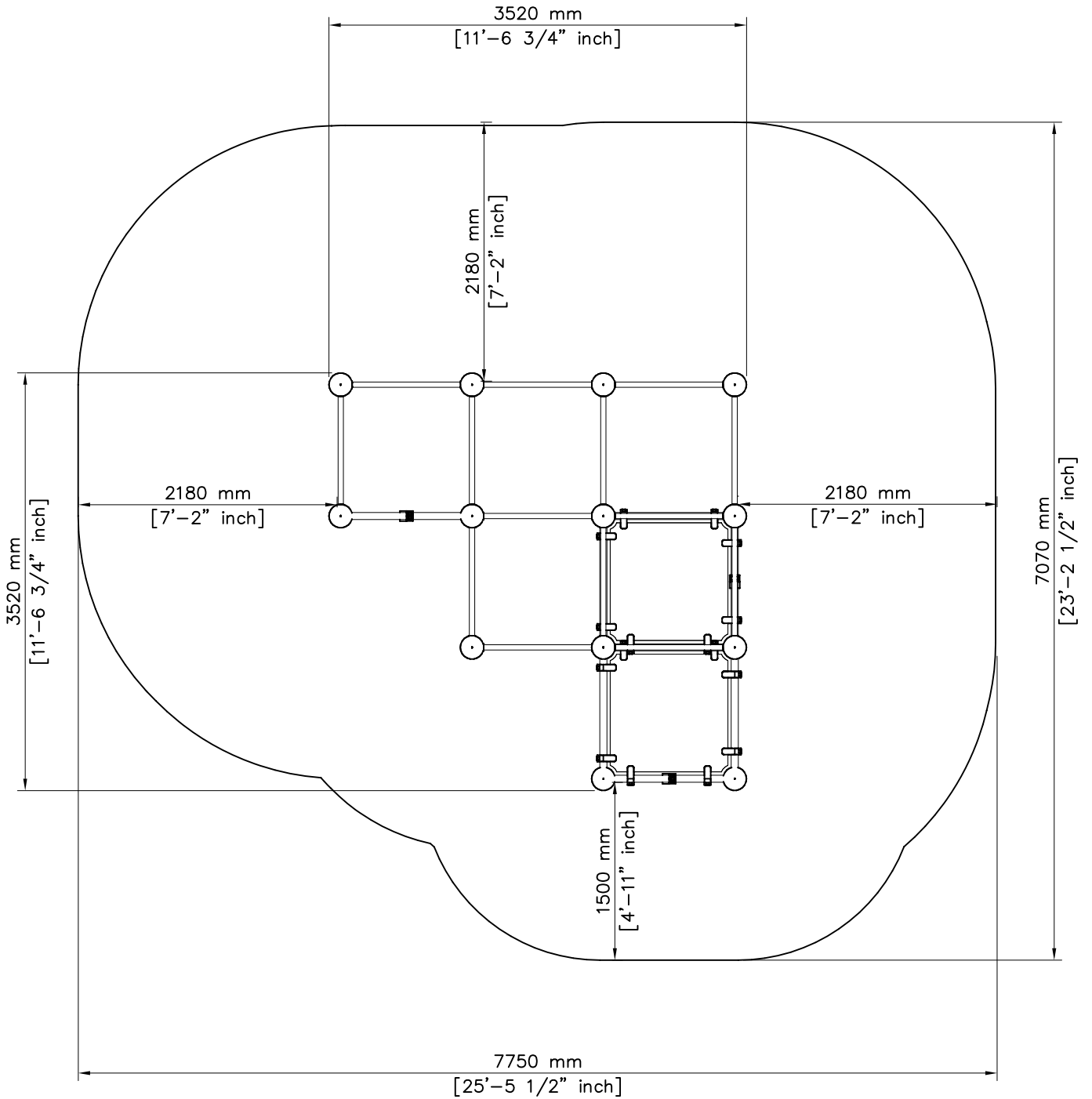
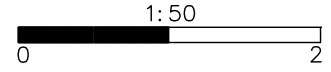


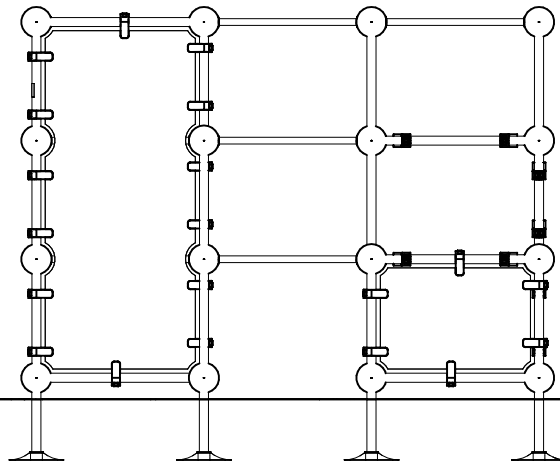
EN Impact Area 45.4 m<sup>2</sup> (489 sq ft)

Grid Size 1000 mm (40" in)



- EN Impact Area 45.4 m<sup>2</sup> (489 sq ft)
- Falling Space 45,4 m<sup>2</sup> (489 sq ft)
- Max Falling Height 2530 mm (8'-3 3/4" in)



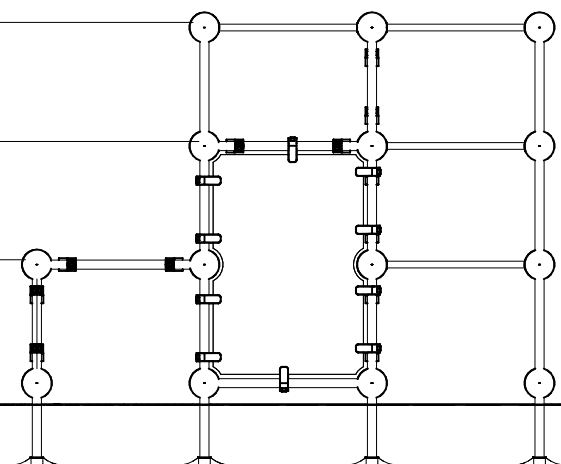


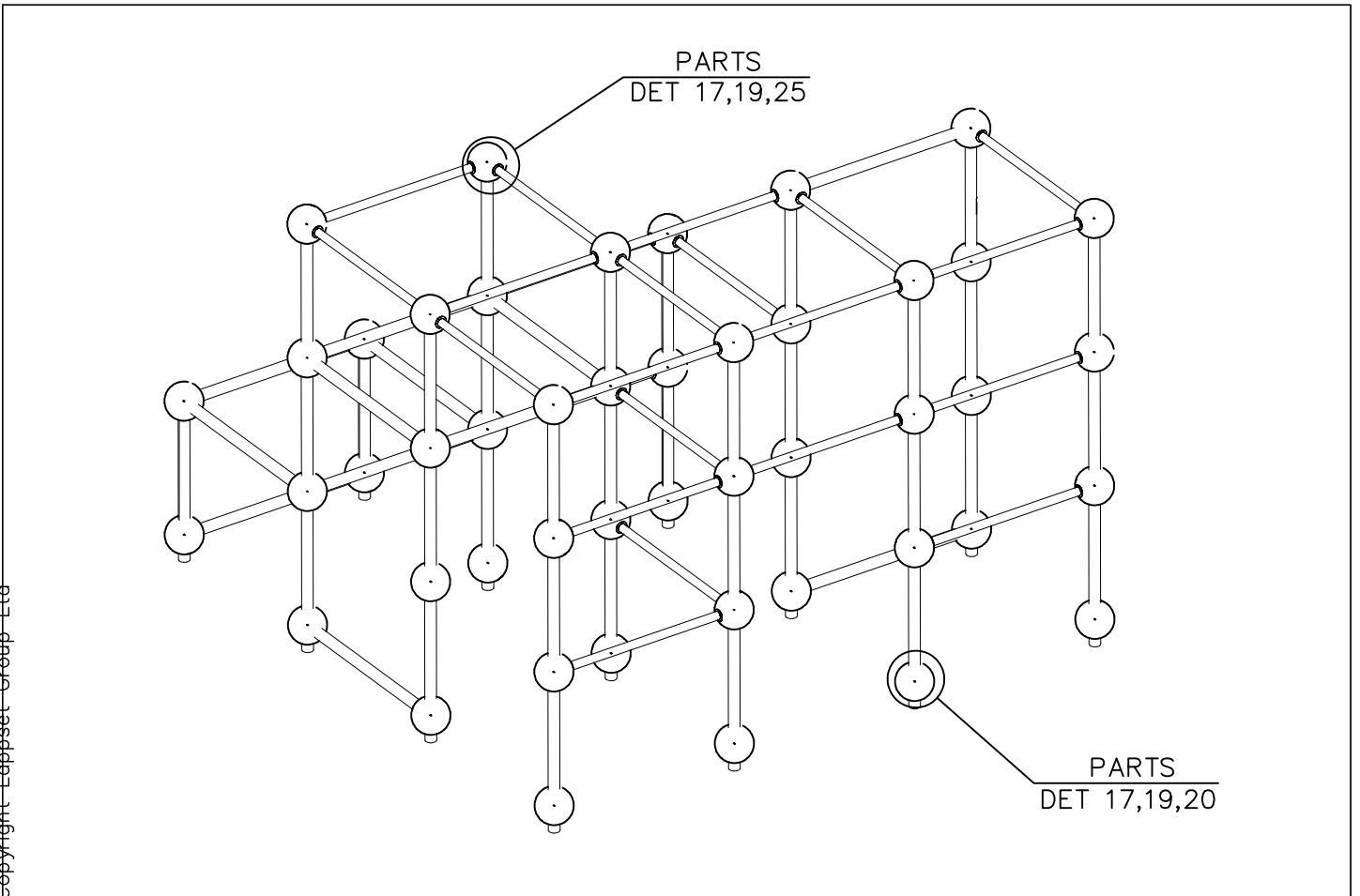
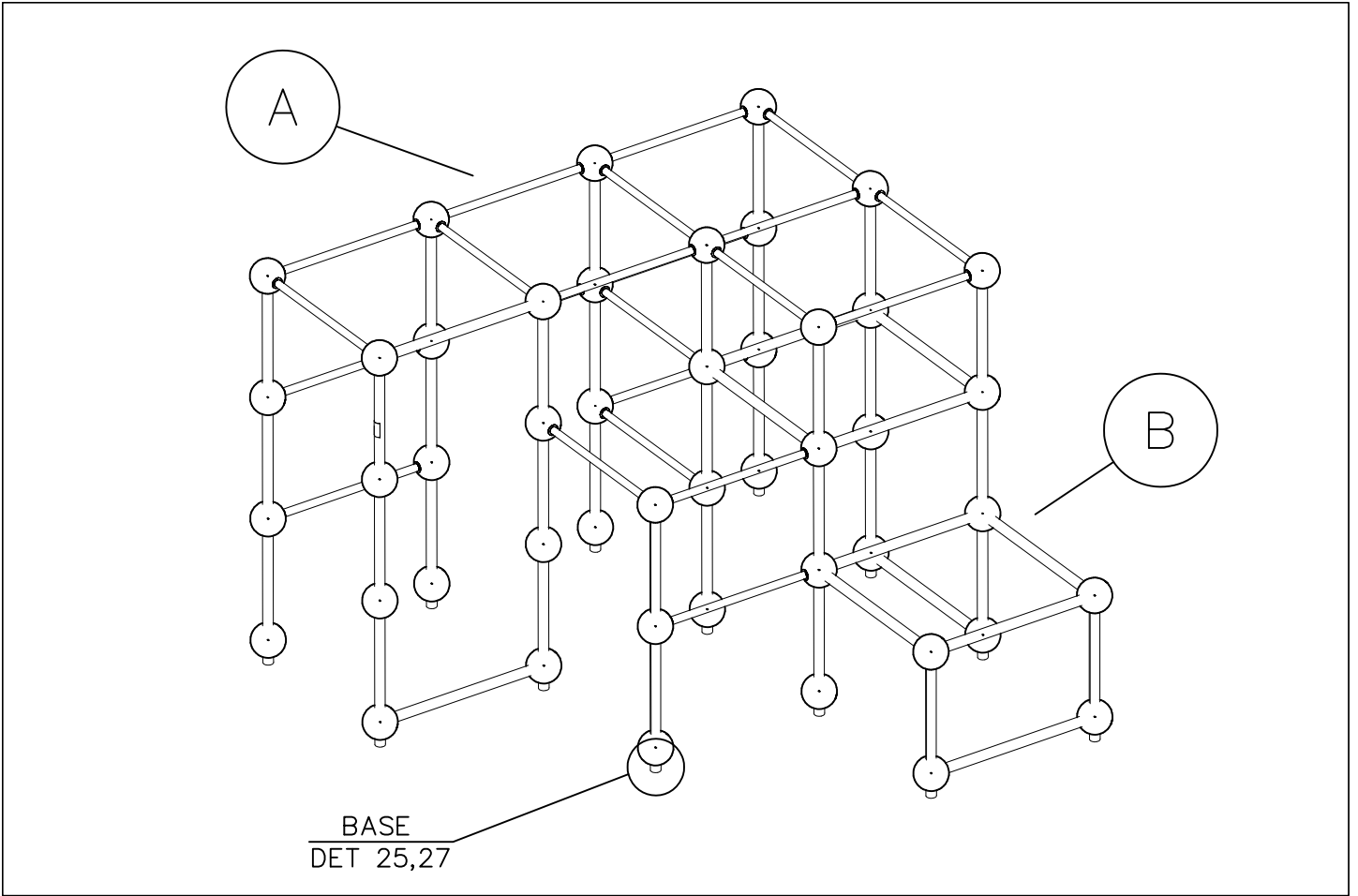
2530 mm  
[8'-3 3/4" inch]

1740 mm  
[5'-8 3/4" inch]

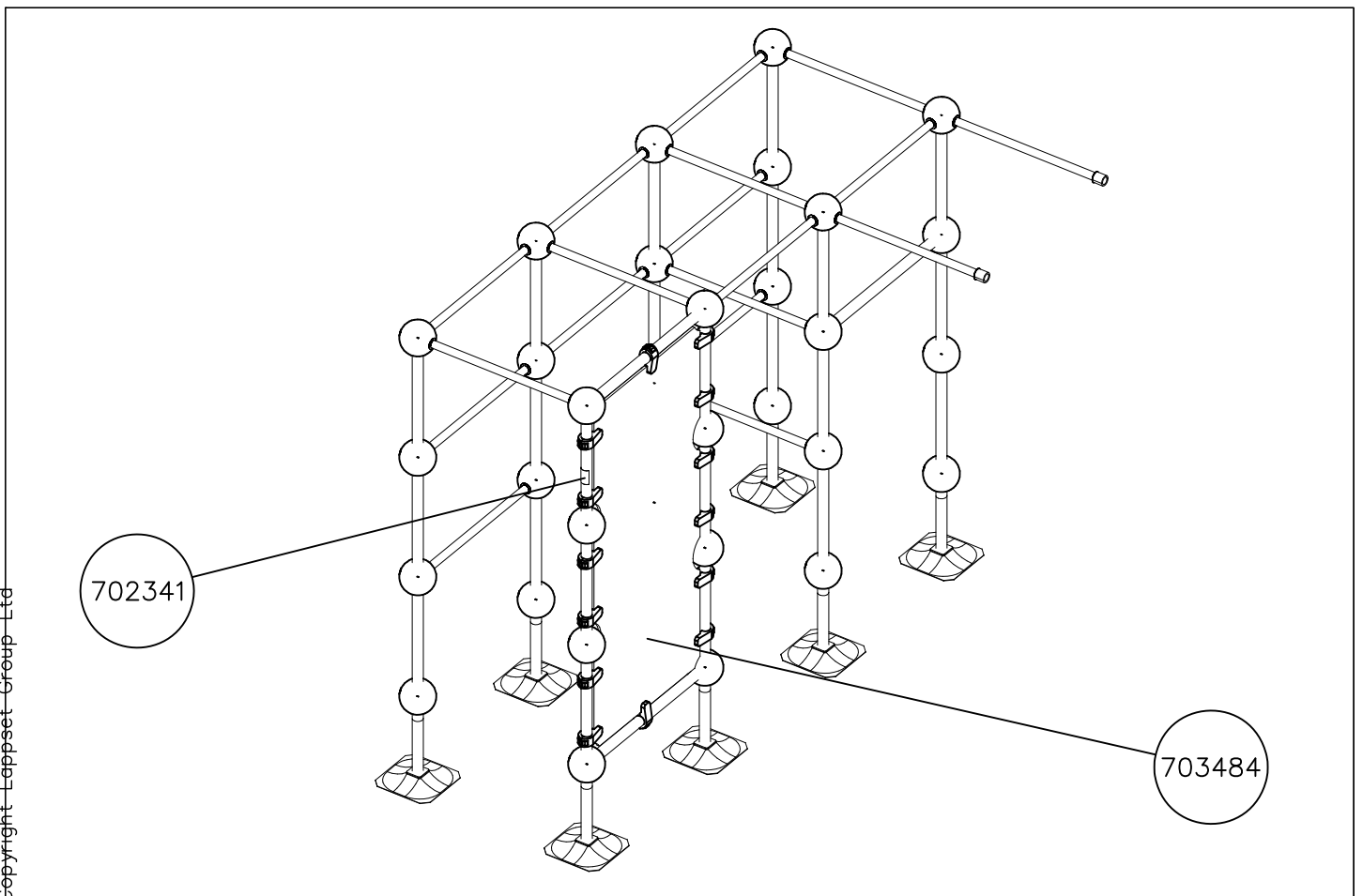
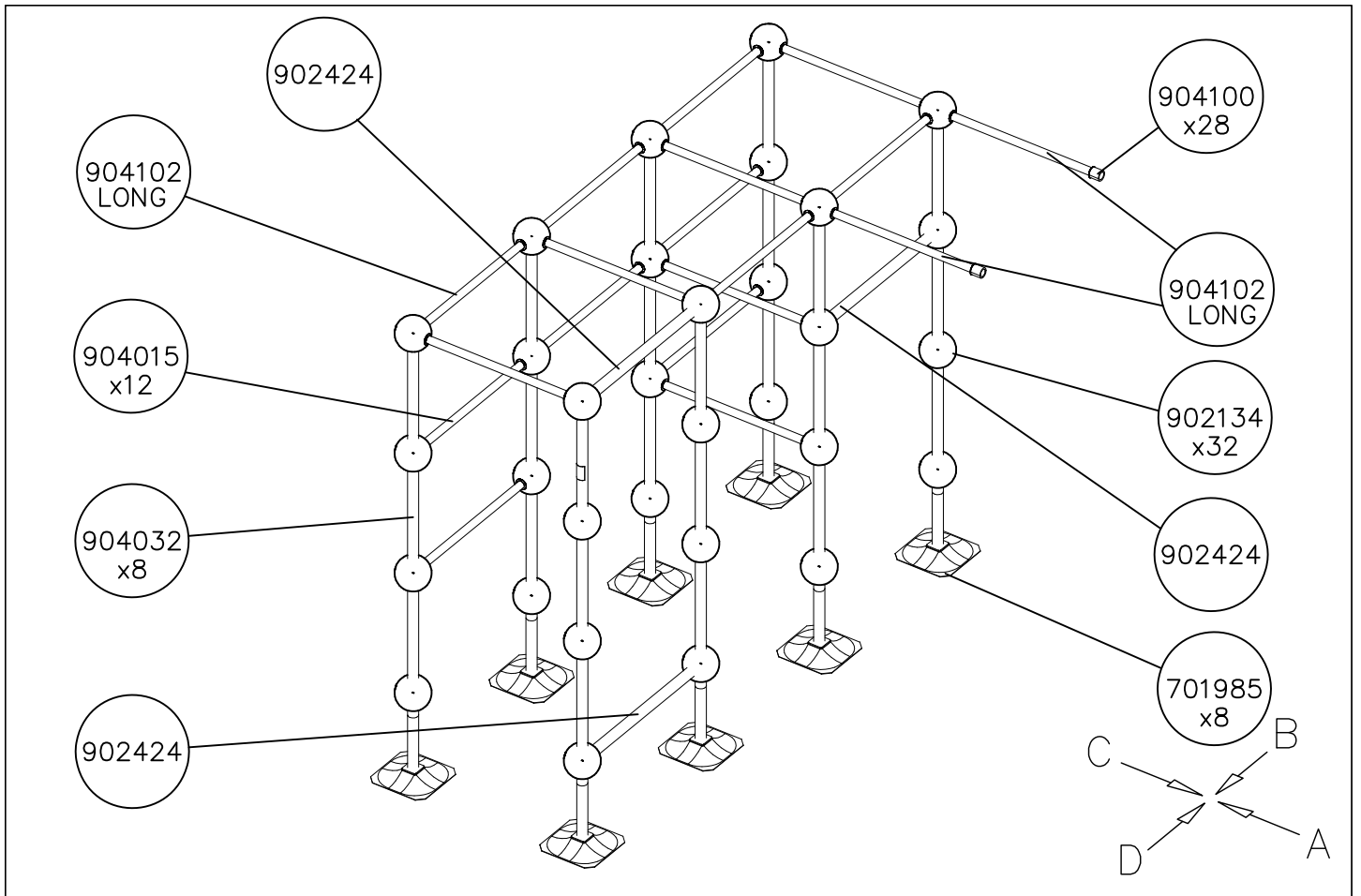
960 mm  
[3'-1 3/4" inch]

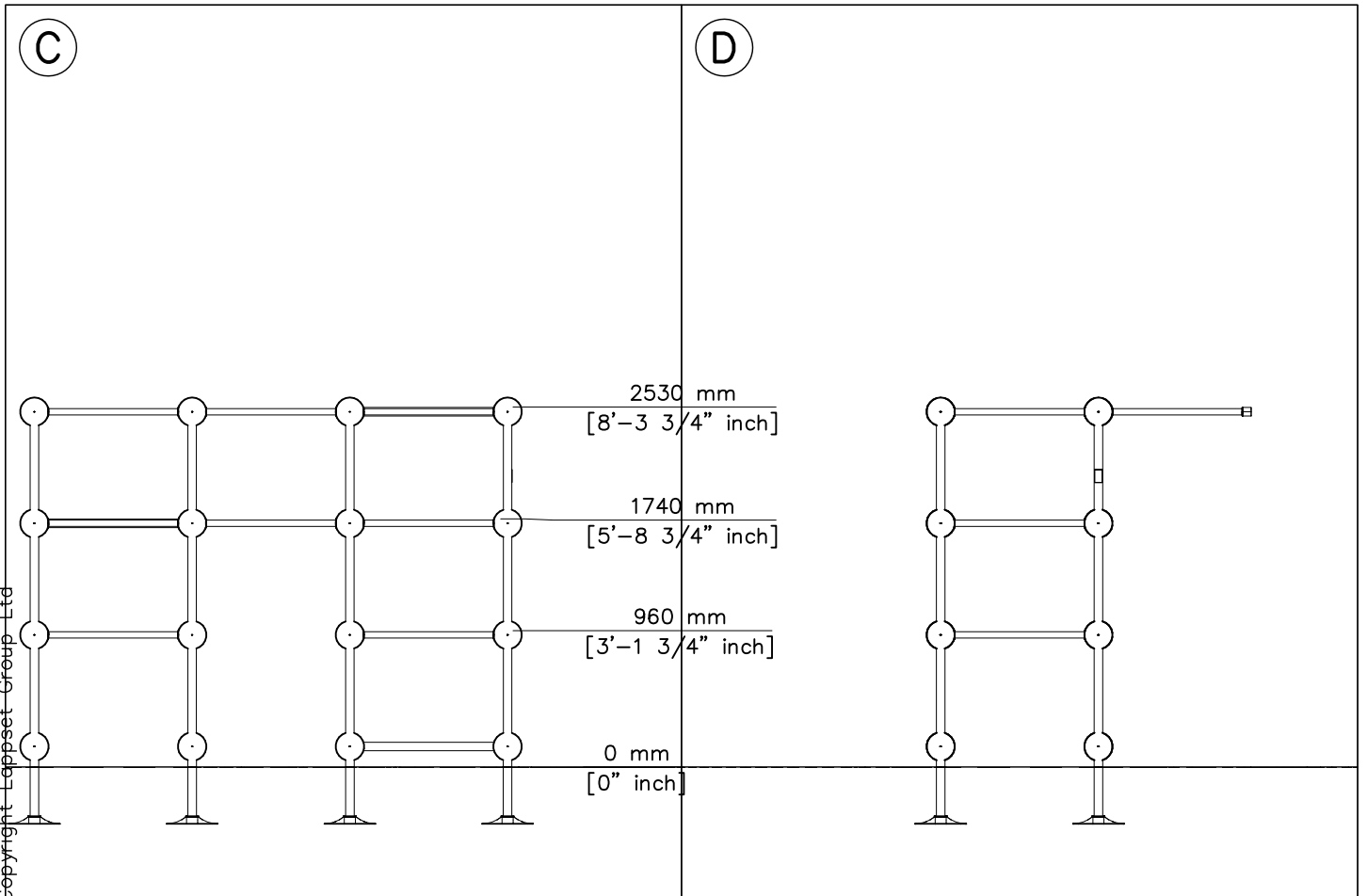
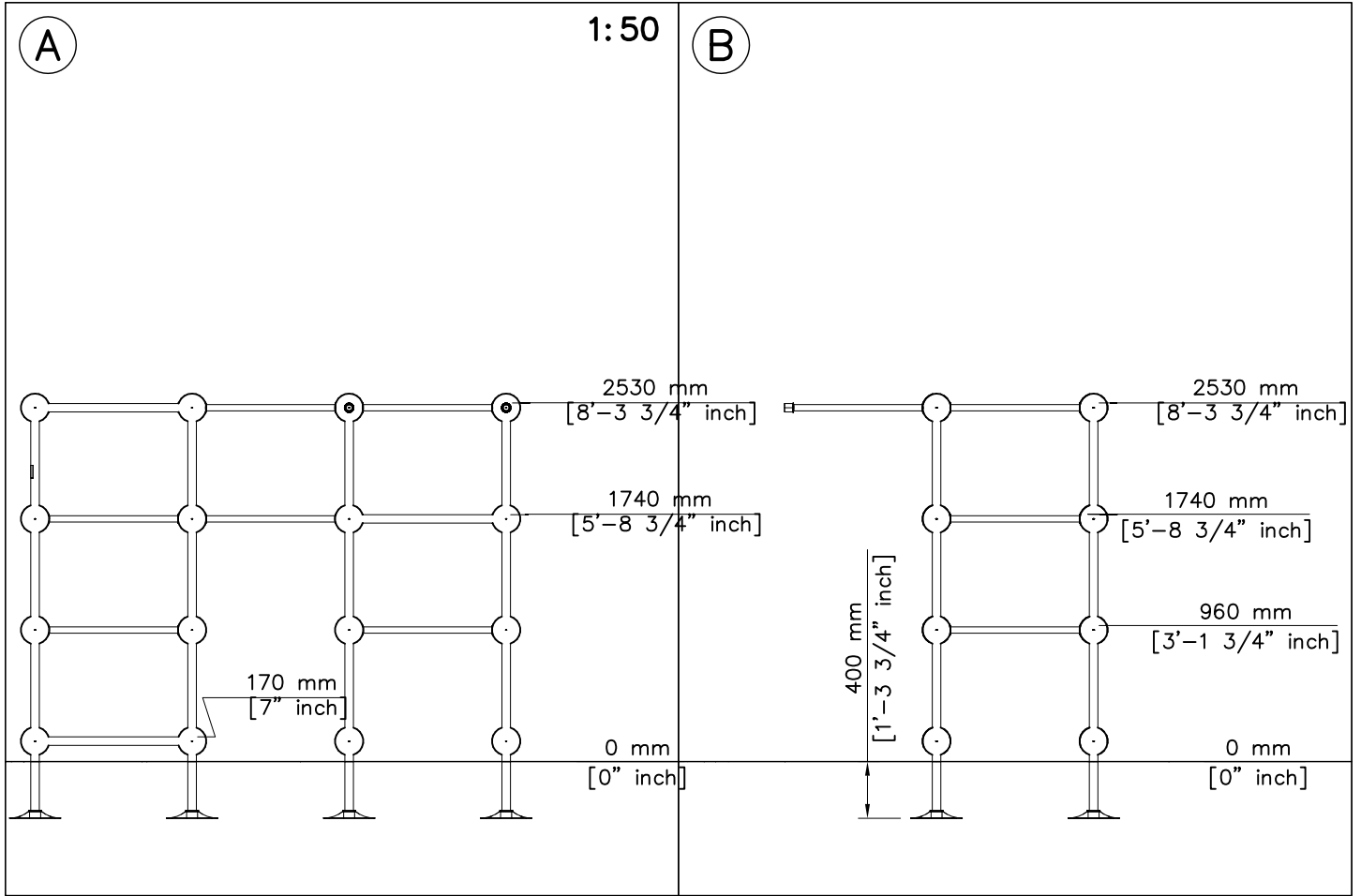
0 mm  
[0" inch]

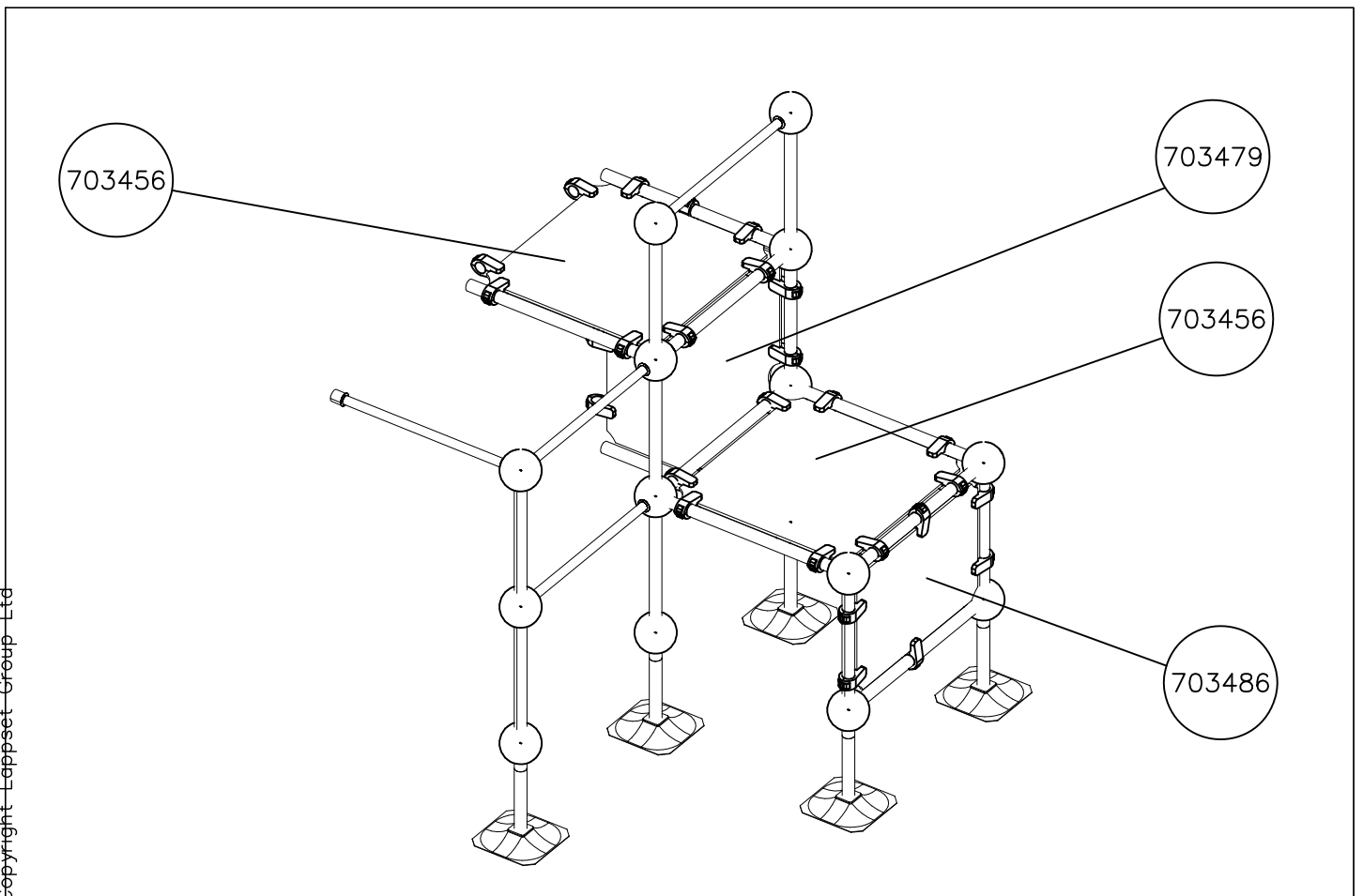
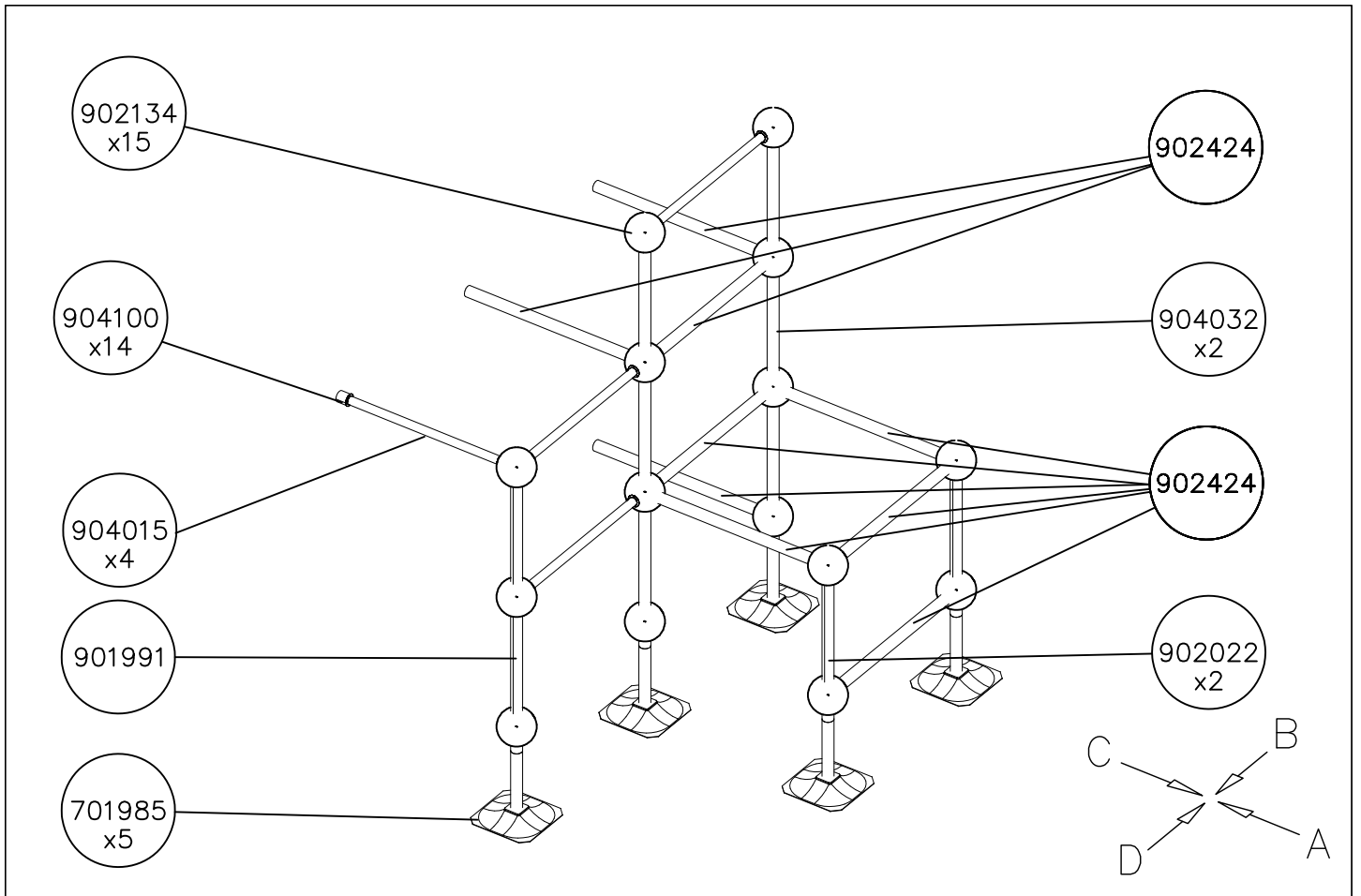




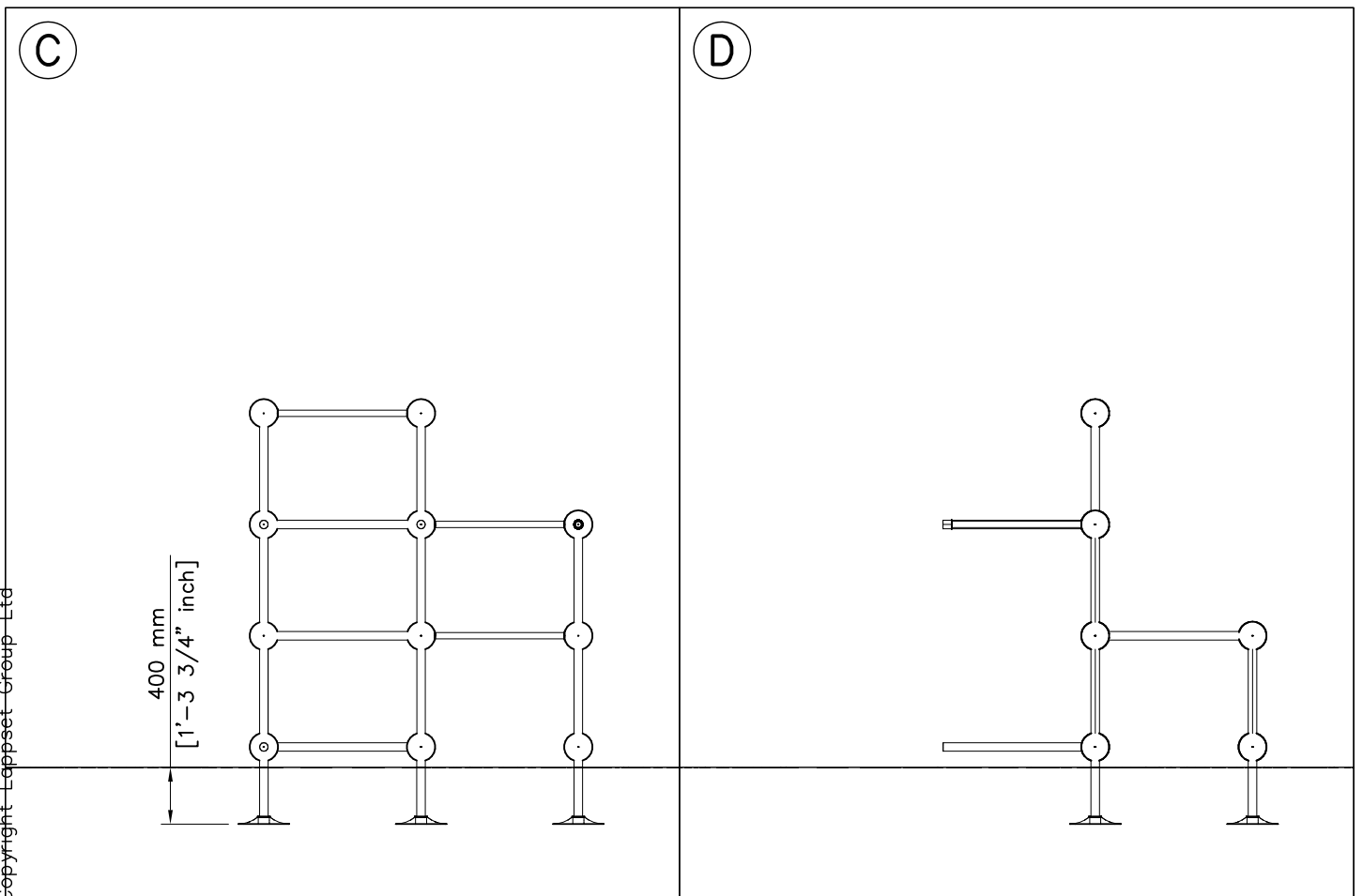
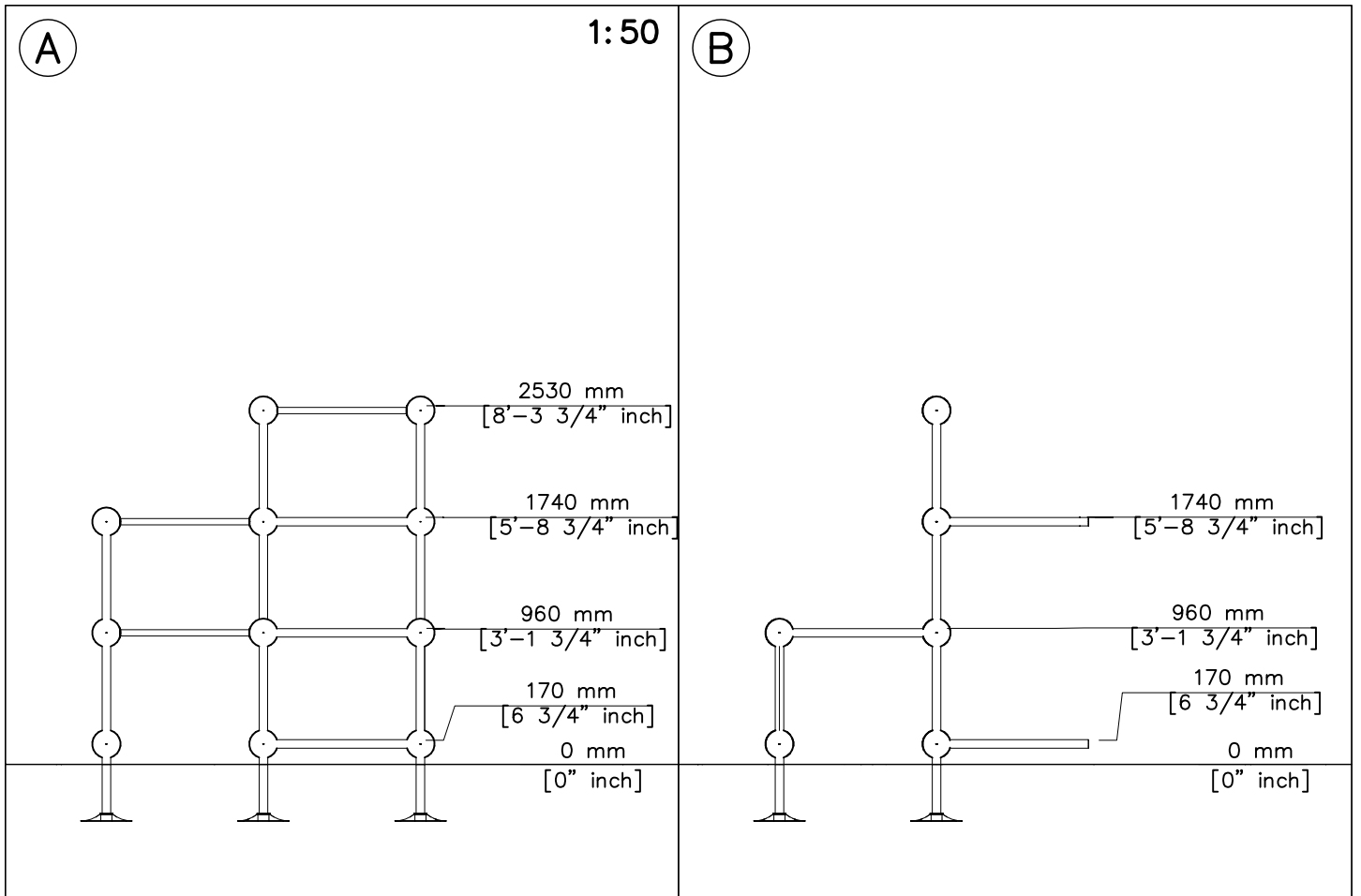
DATE: 23.2.2015



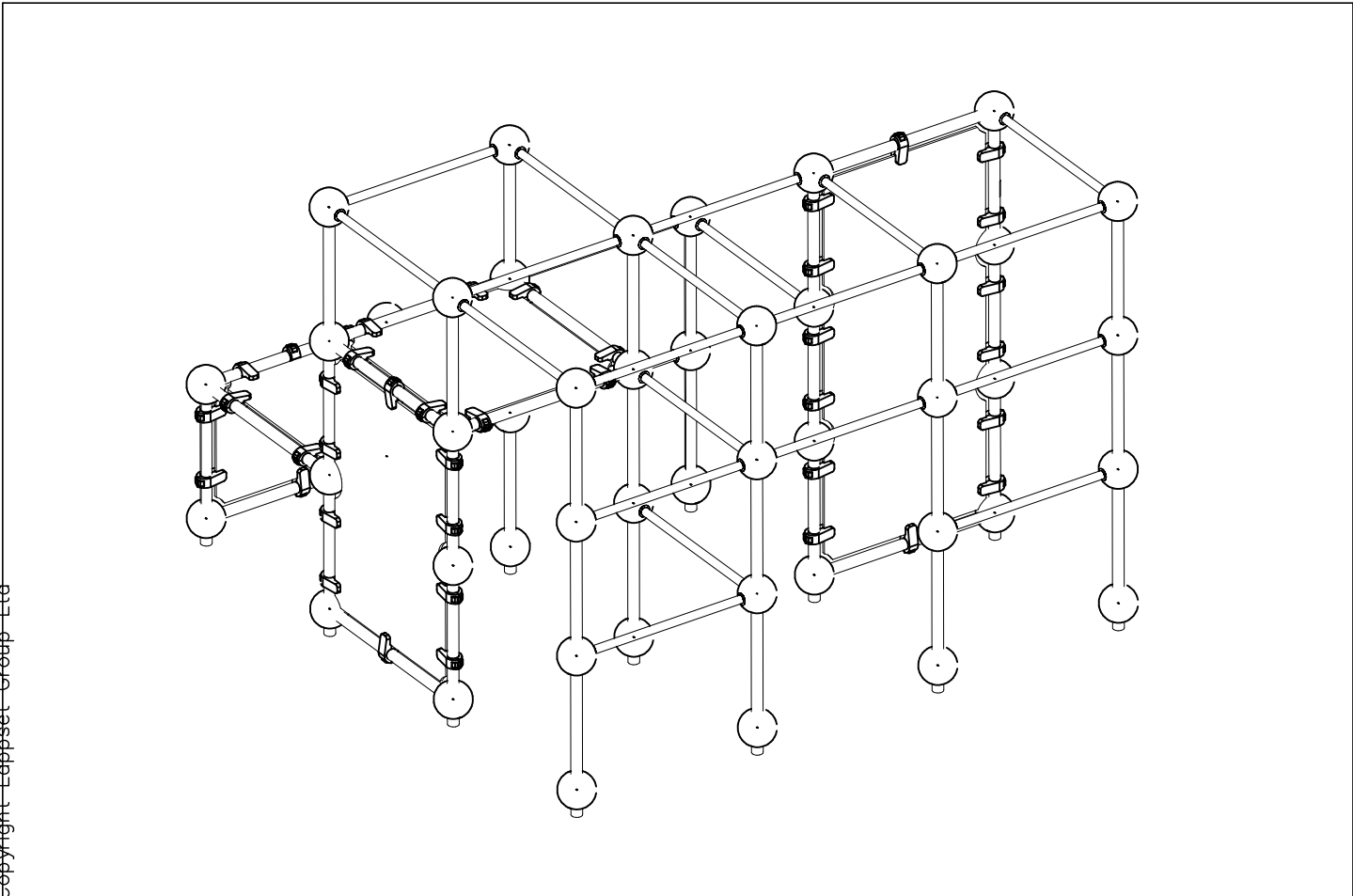
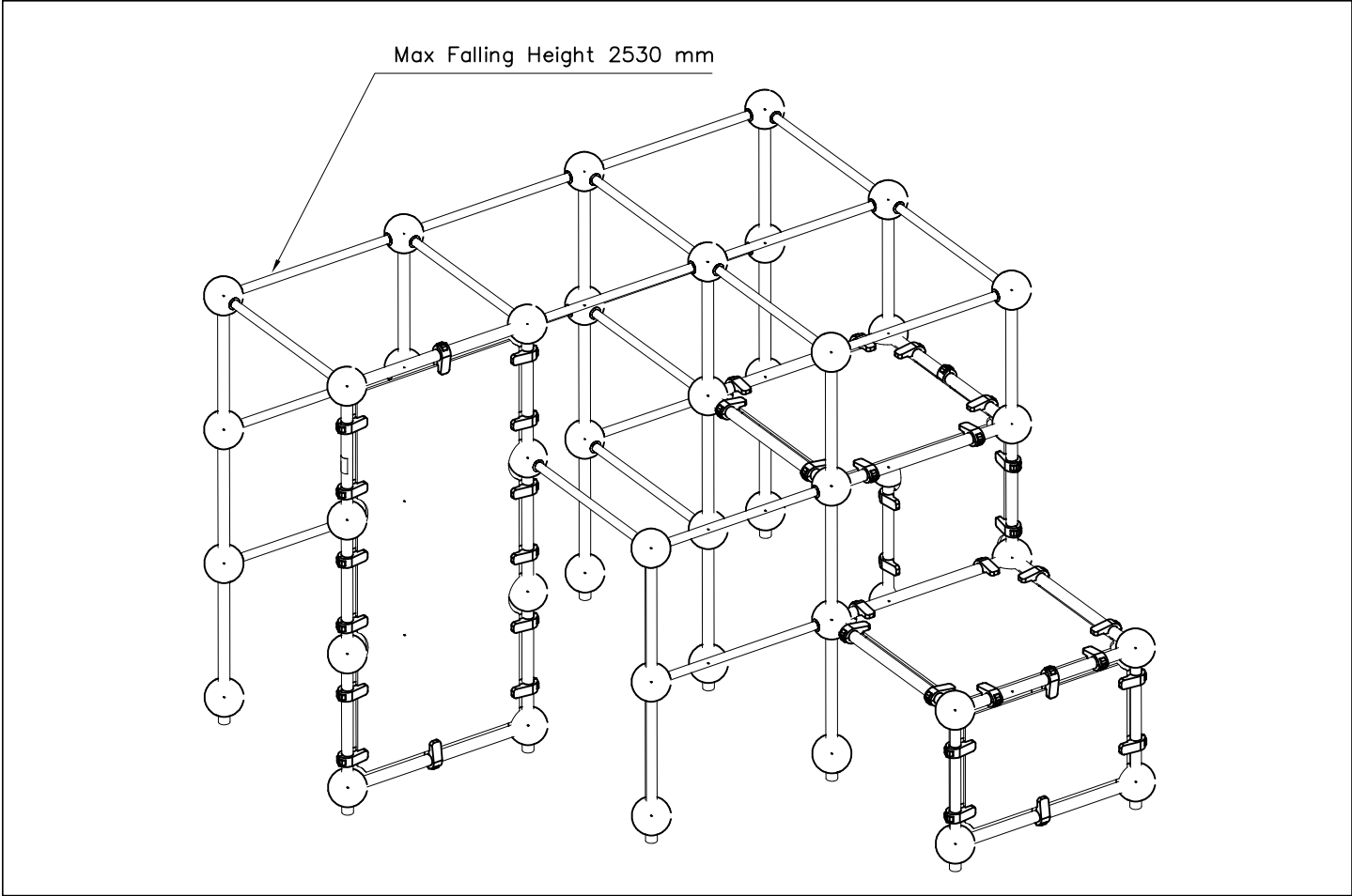


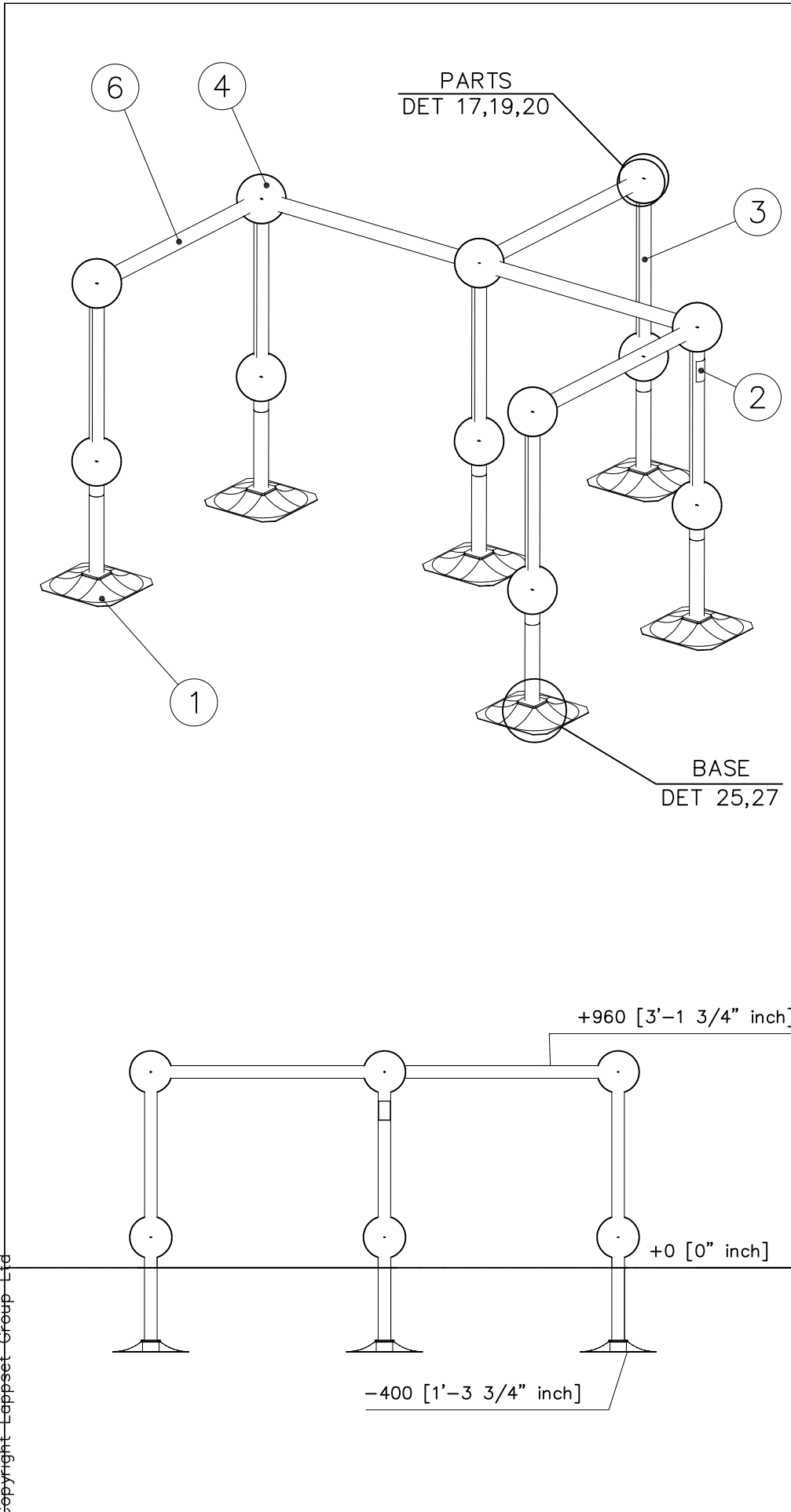


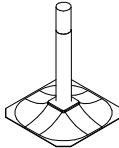
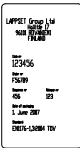
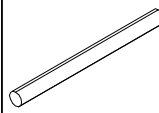
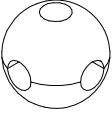

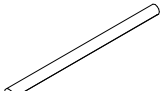
DATE: 23.2.2015



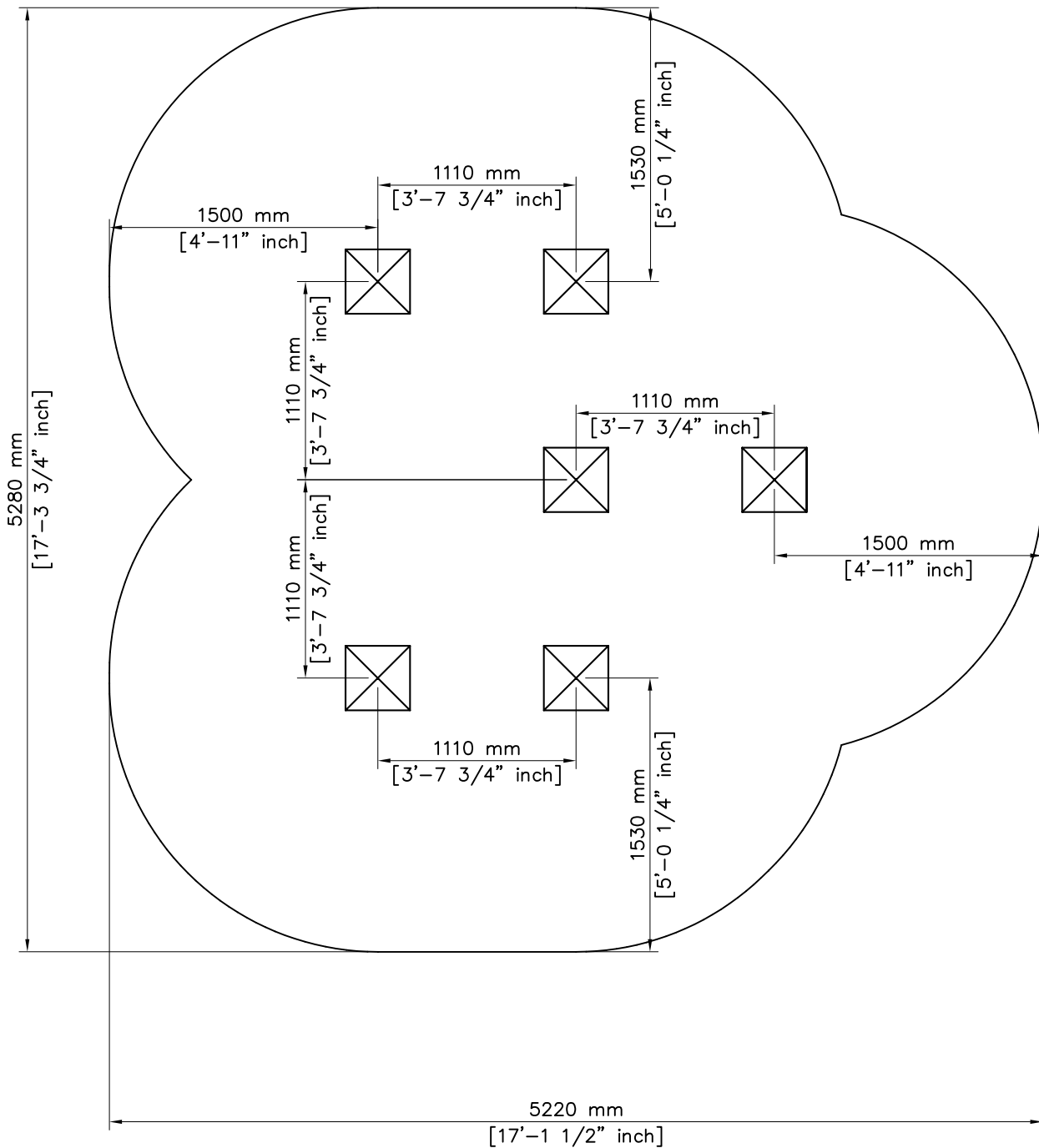






① 701985	PCS	② 702341	PCS
	6		1
		90x50	
③ 902022	PCS	④ 902134	PCS
	6		12
L 710			
⑤ 902157	PCS	⑥ 902424	PCS
	44		5
60x60x2		L 1034	
	PCS		PCS
	PCS		PCS
	PCS		PCS
	PCS		PCS

EN/AS Impact Area 21.9 m2 (235.7 sq ft)  
Falling Space Area 21.9 m2 (235.7 sq ft)  
Max Falling Height 960 mm (3' - 1 3/4" in)



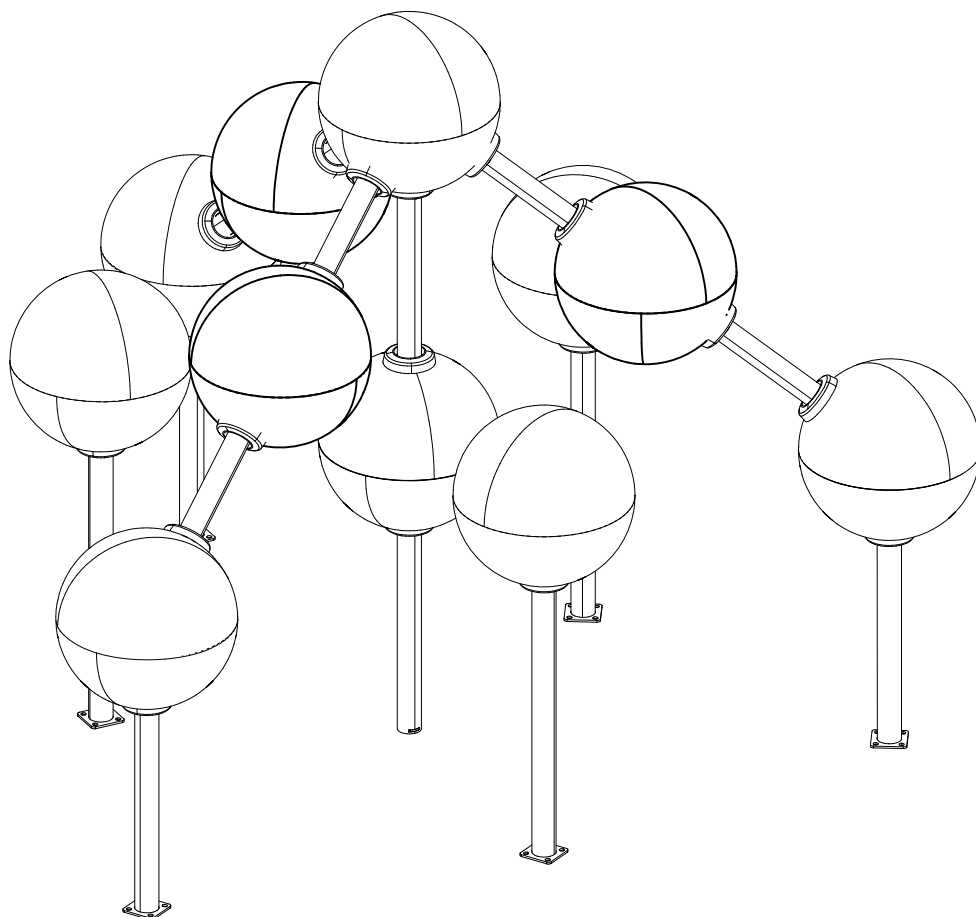
# **LAPPSET®**

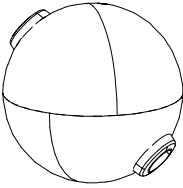
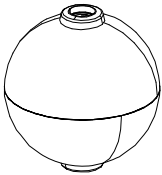
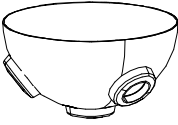


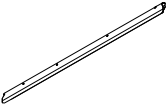

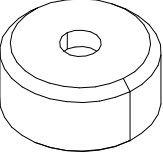
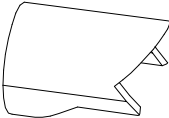
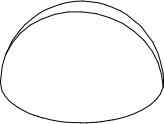

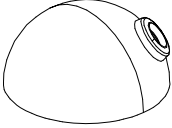
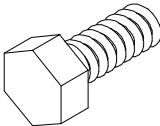
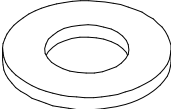
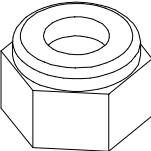
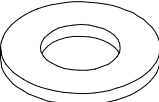

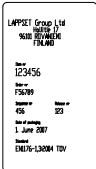
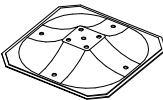
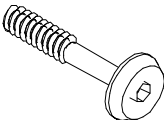
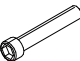
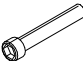
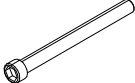
## **PARKOUR**

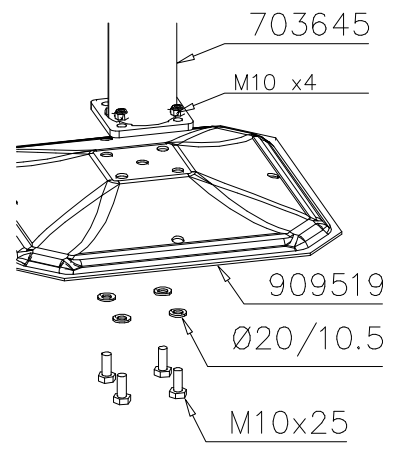
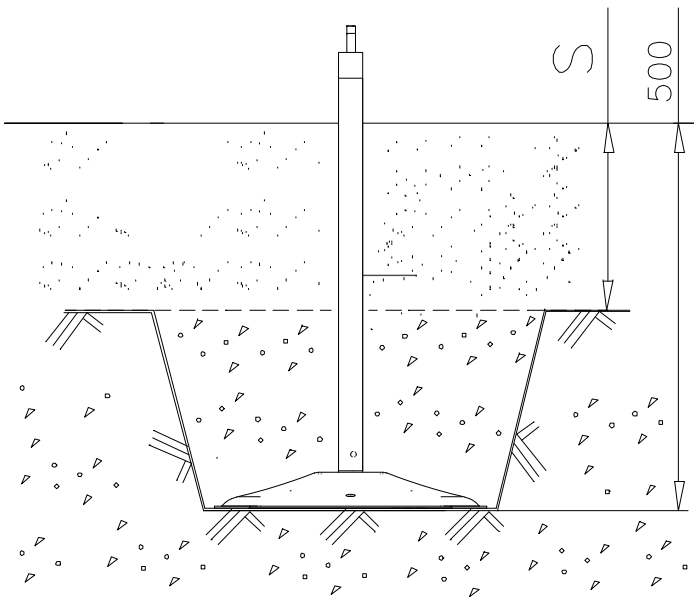
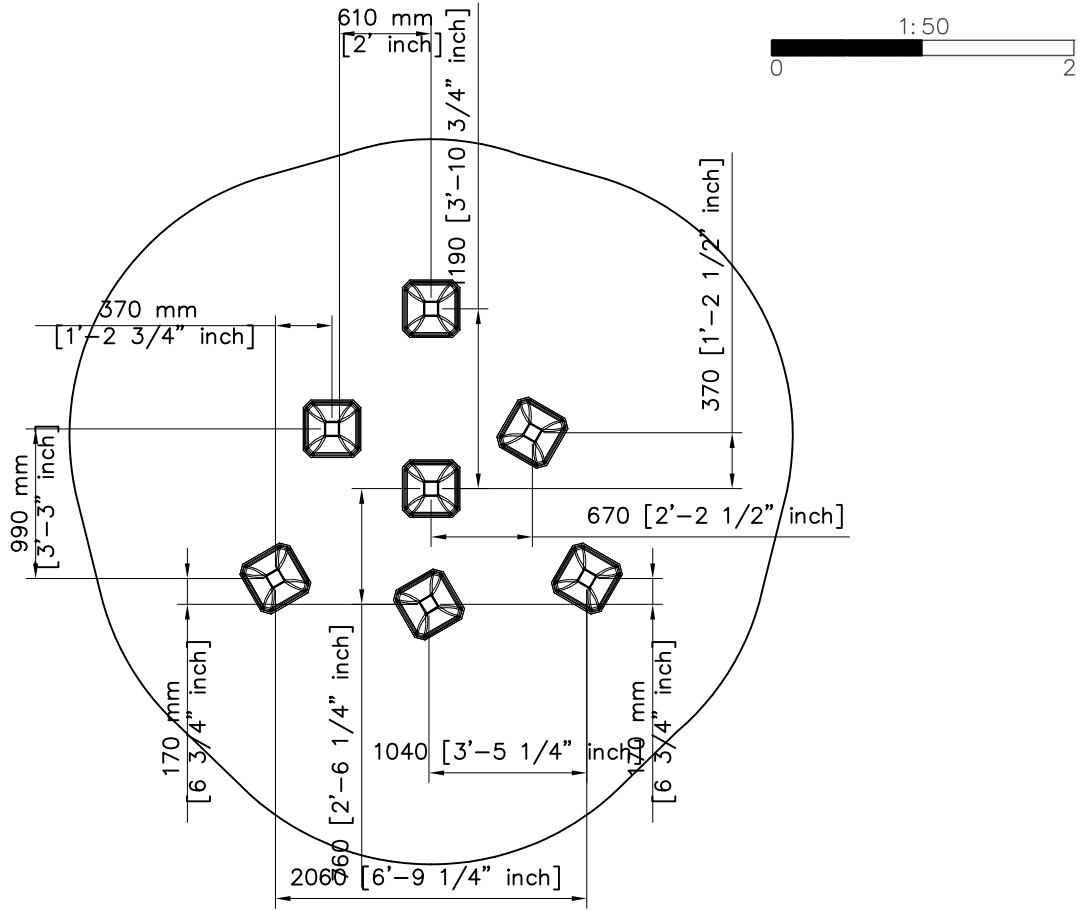
ASENNUSOHJE  
MONTERINGSANSVISNING  
INSTALLATION INSTRUCTION  
AUFBAUANLEITUNG  
NOTICE D'INSTALLATION

REF: 220505  
DATE: 21.7.2020

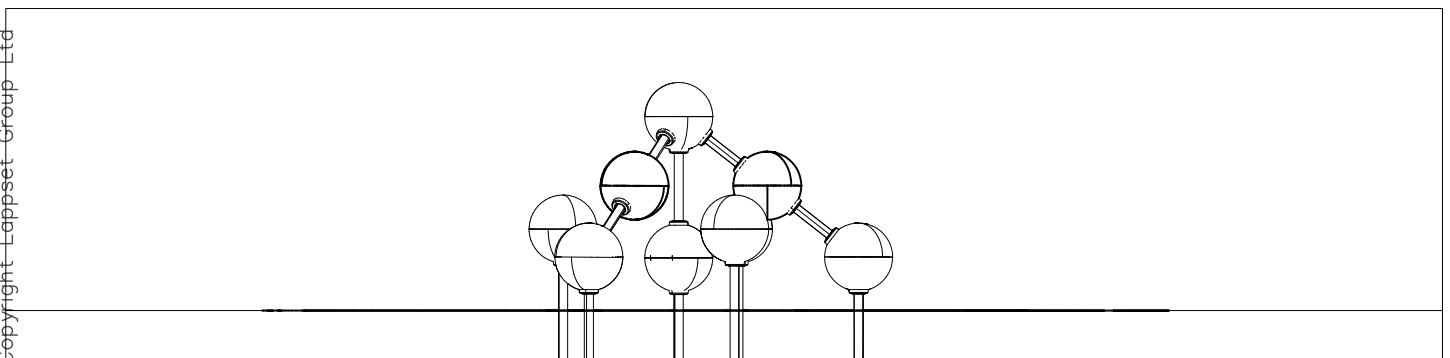
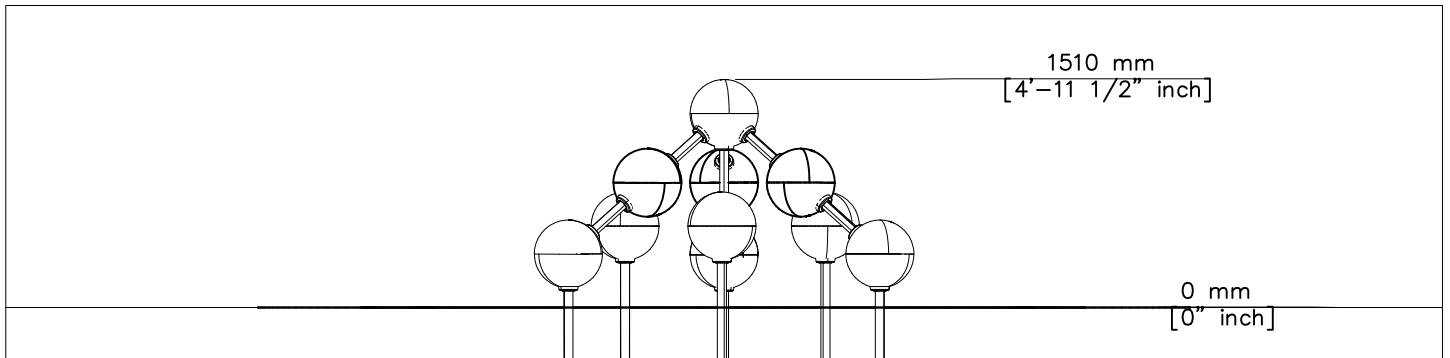
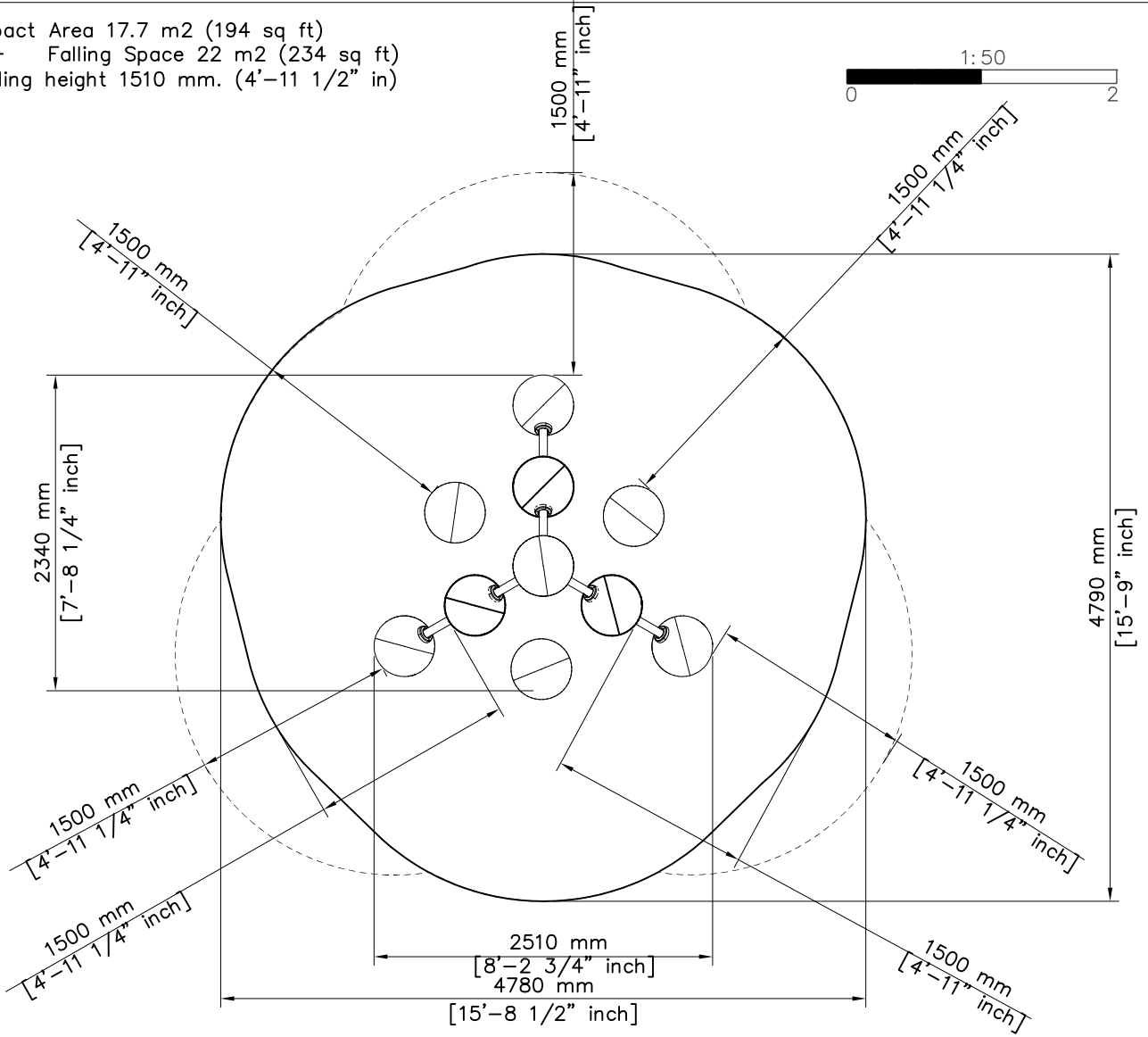
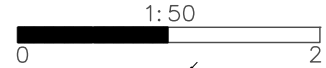
## **220505**



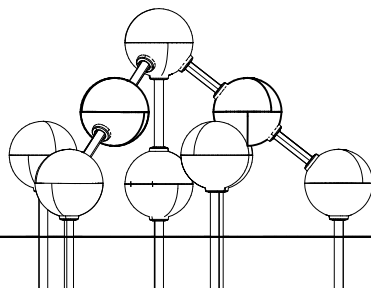
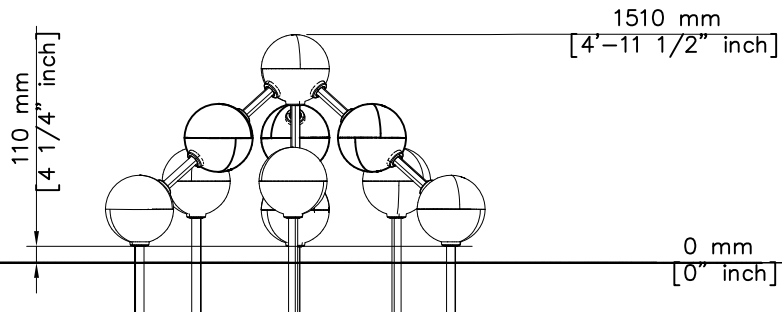
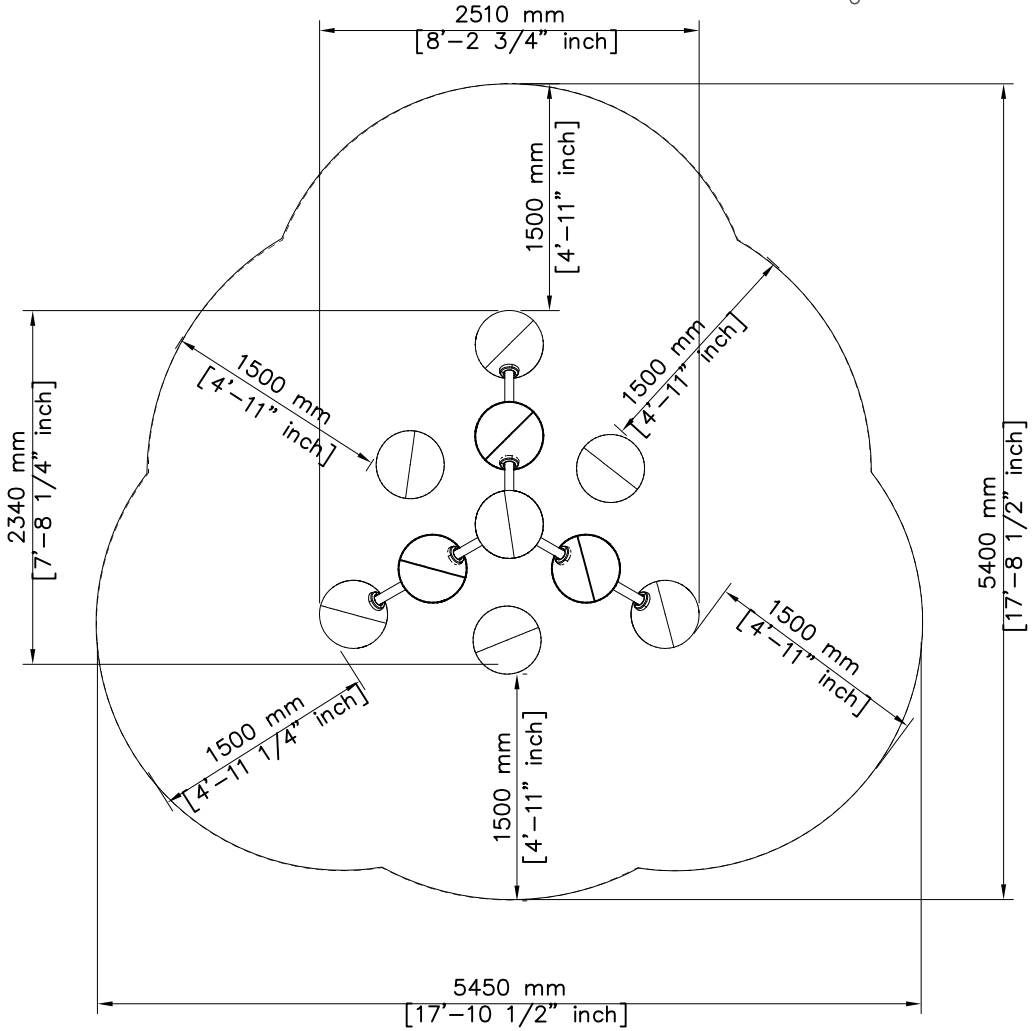
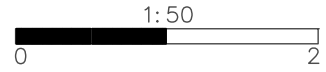
 709770 Black	PCS 3	 709771 Ø450	PCS 1	 709772 YELLOW	PCS 1	 709773 Ø450	PCS 3	 908458 90x90x1934	PCS 1	 908456 Ø60x2,5x1500	PCS 3
 908460 90x90x1005	PCS 3	 911353 Ø77x36	PCS 4	 908455 Ø19x2x26	PCS 6	 904111 Ø450x225	PCS 1	 908592 Ø450x225	PCS 3	 908593 Ø450x225	PCS 3
 909639 M10x25	PCS 12	 909638 Ø20/10.5	PCS 21	 909637 M10	PCS 15	 980151 Ø16/8.4	PCS 1	 909274 M8x30	PCS 1	 702341 90x50	PCS 1
 909519 50x380x380	PCS 4	 909868 M8x50	PCS 1	 911354 M8x90	PCS 3	 709910 M8x85	PCS 1	 903238 M10x140	PCS 3		PCS
	PCS		PCS		PCS		PCS		PCS		PCS
	PCS		PCS		PCS		PCS		PCS		PCS
	PCS		PCS		PCS		PCS		PCS		PCS



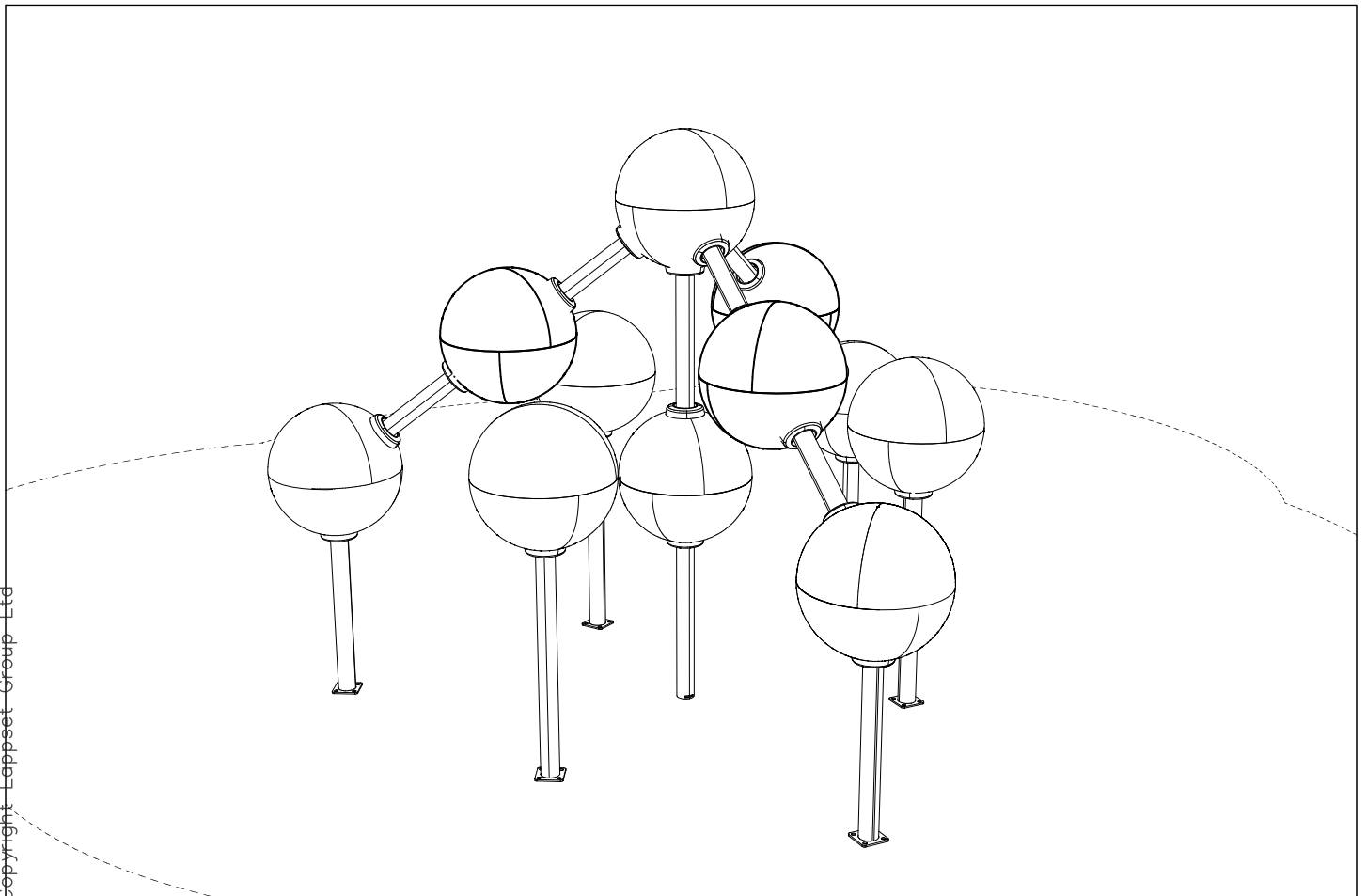
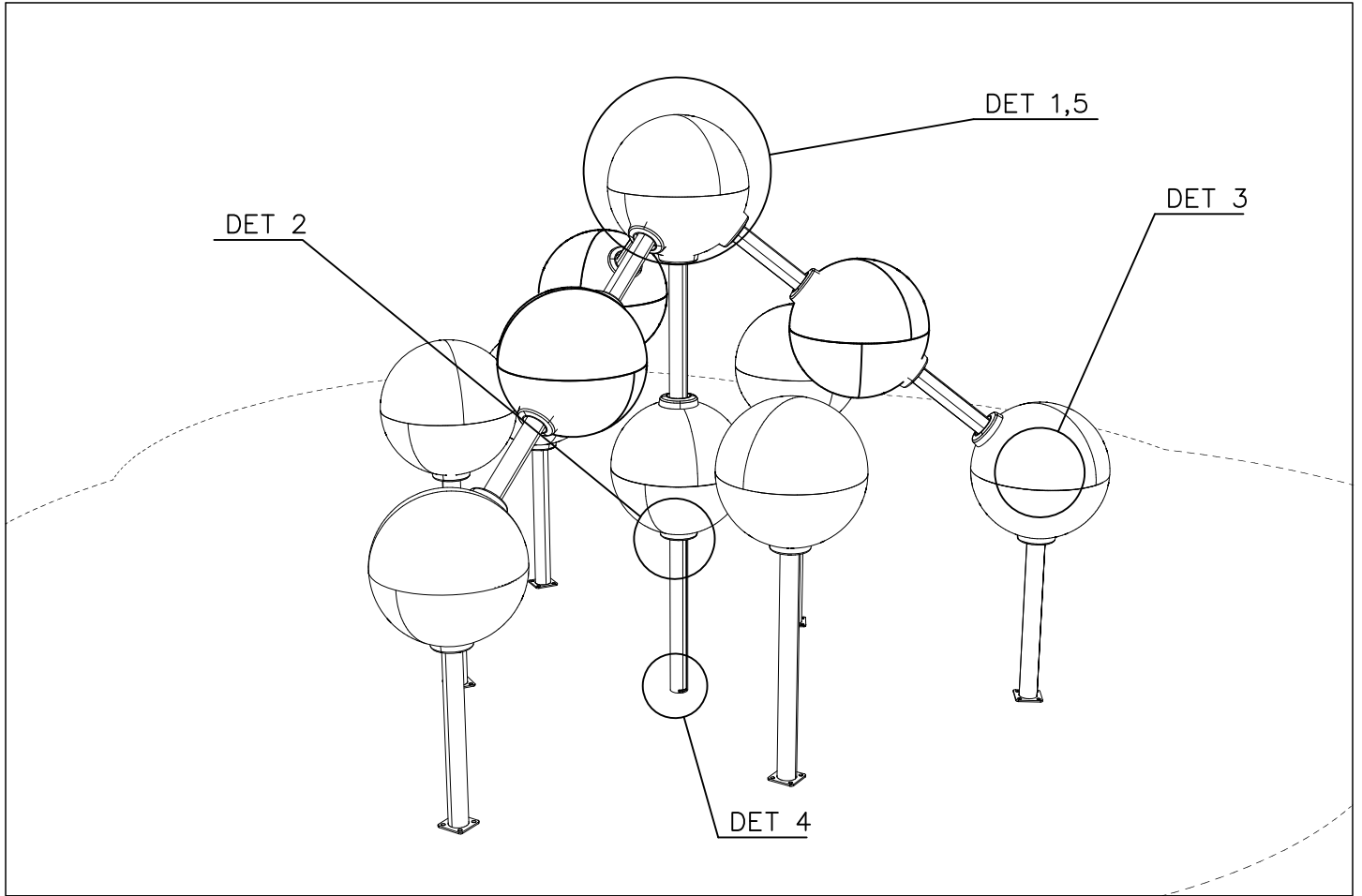
EN Impact Area 17.7 m<sup>2</sup> (194 sq ft)  
 ----- Falling Space 22 m<sup>2</sup> (234 sq ft)  
 Max falling height 1510 mm. (4'-11 1/2" in)

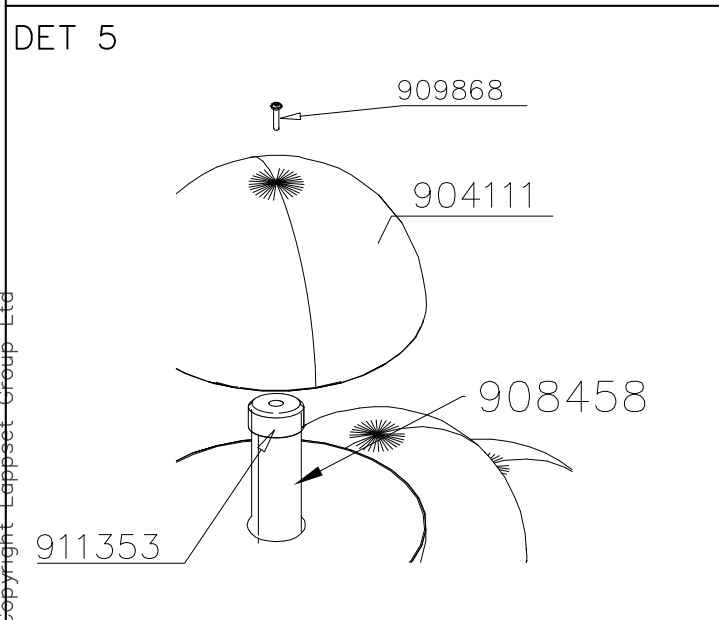
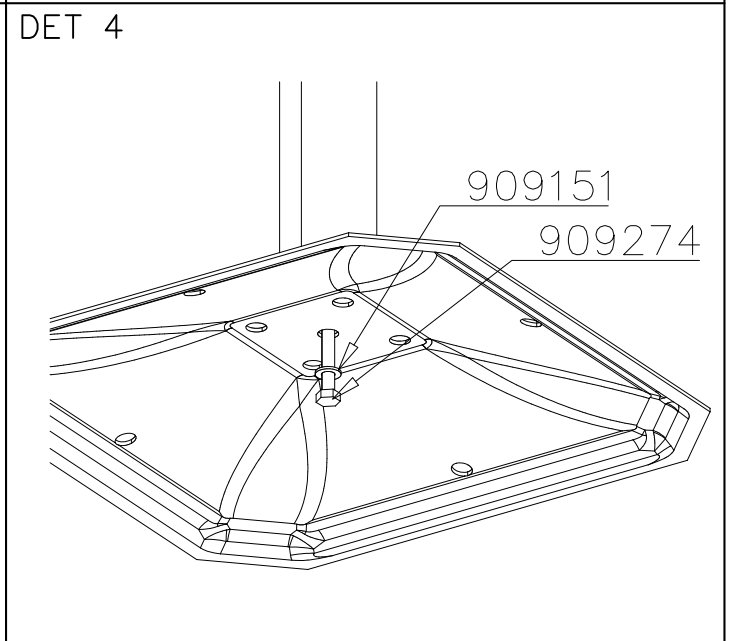
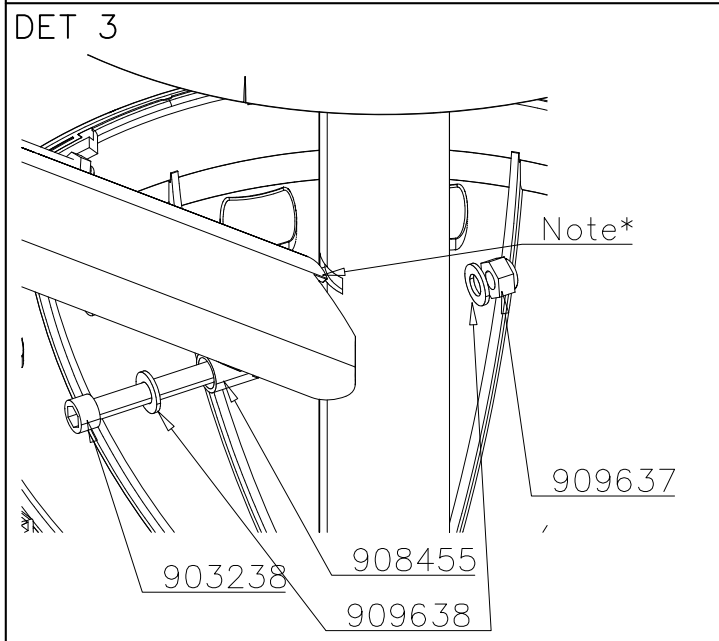
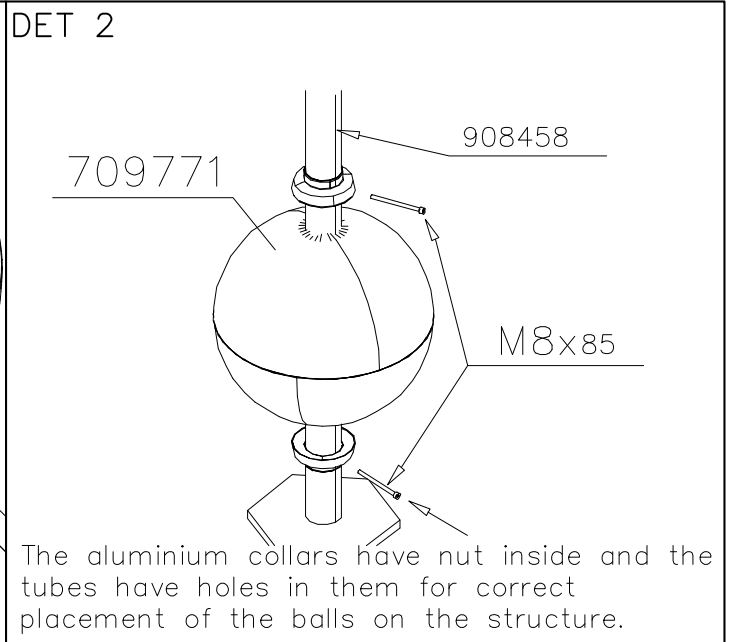
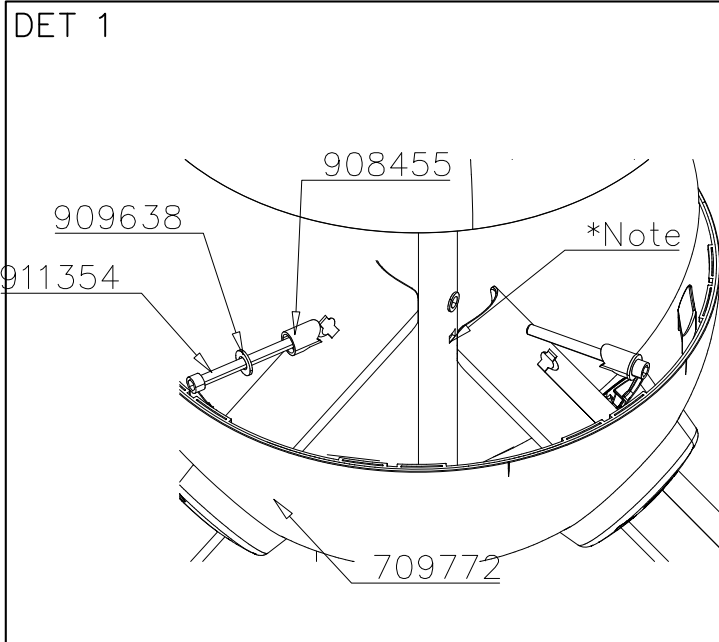


AS Impact Area 22 m<sup>2</sup> (234 sq ft)  
Max falling height 1510 mm. (4'-11 1/2" in)







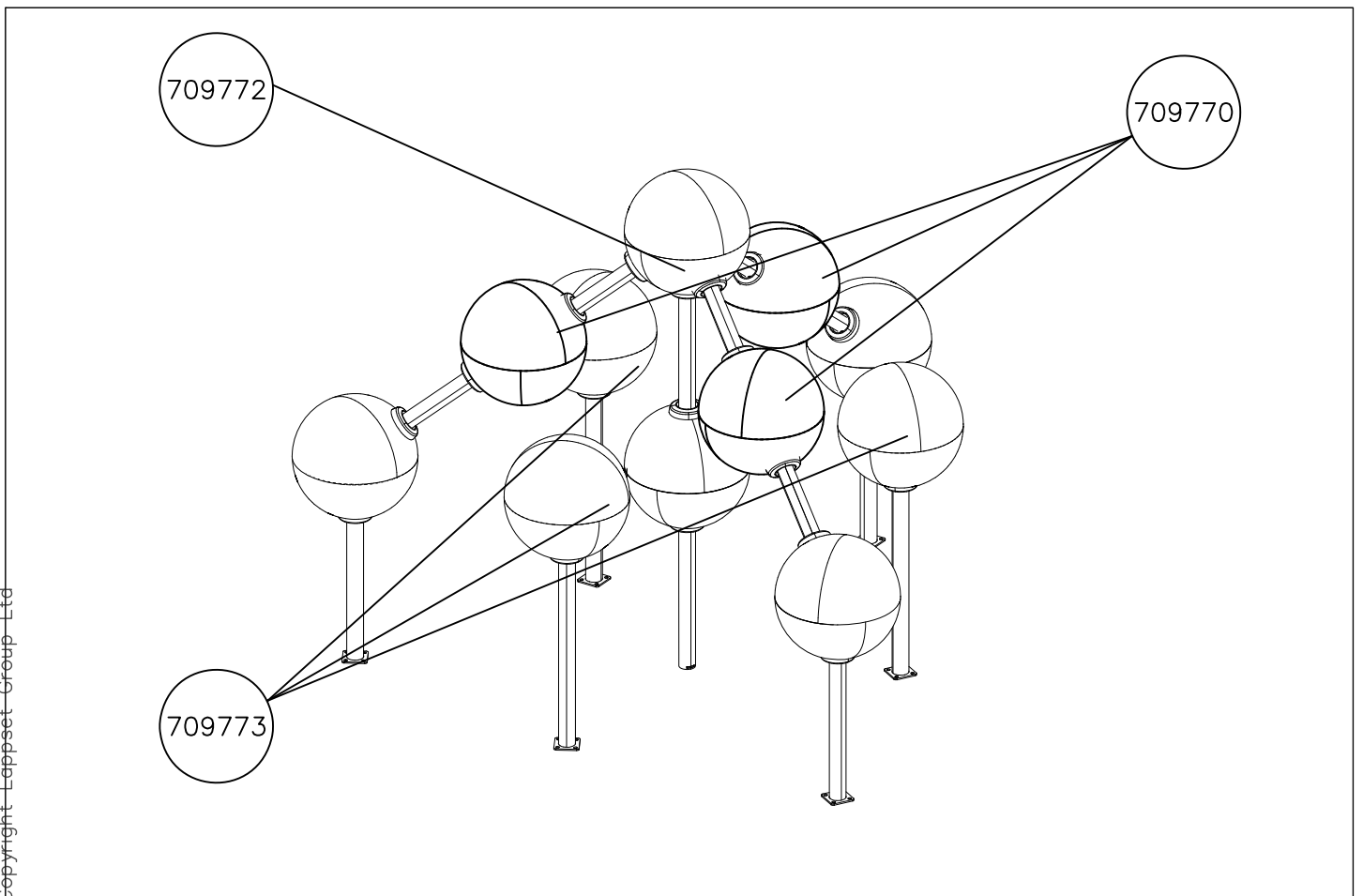
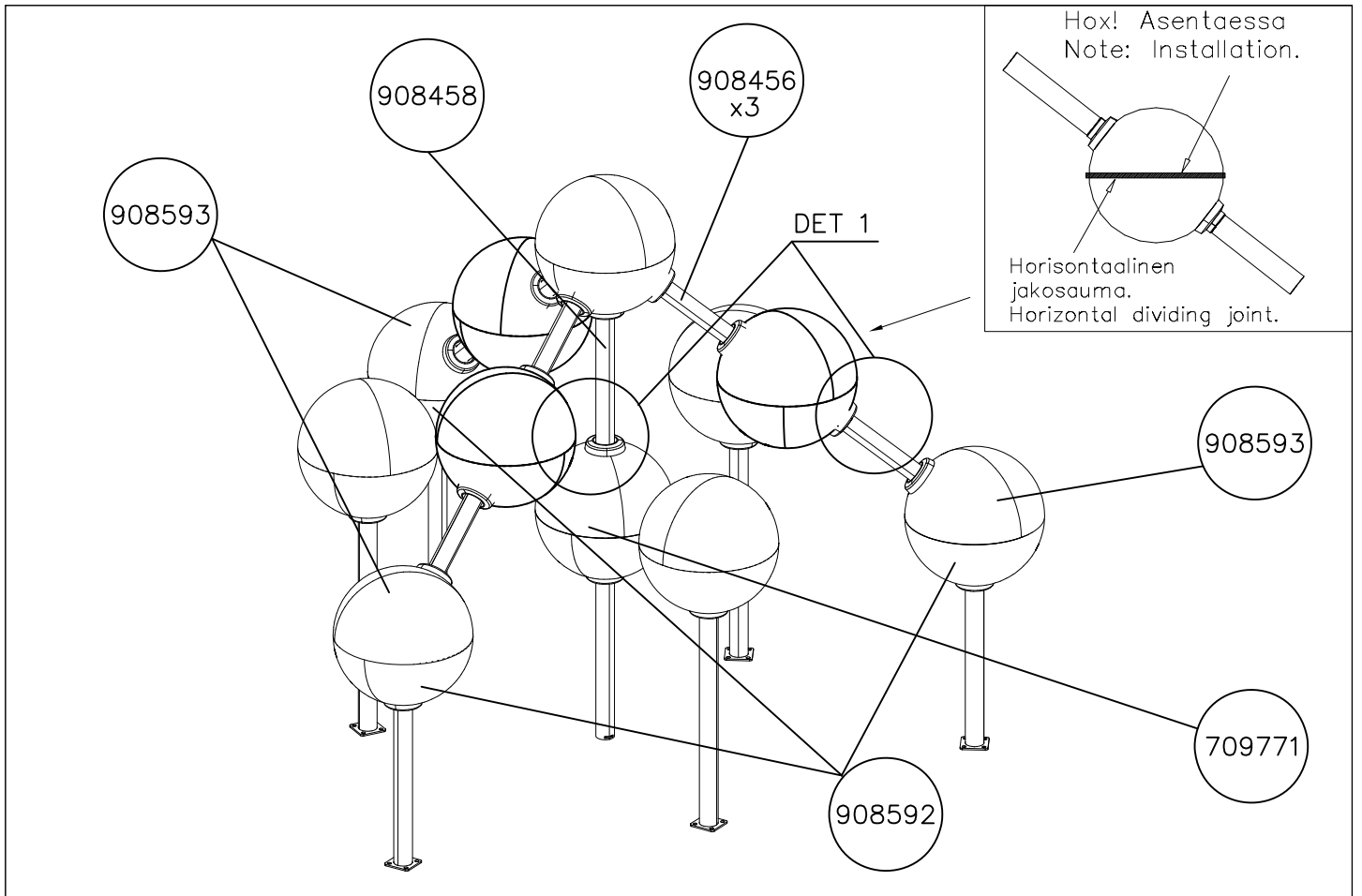


\*Note

The wide "teeth" of tube 908456 goes downwards to element 908460, and thinner "teeth" upwards to middle tube

Slide the ball half 709772 from the foundation side of the center tube in place, then the middle ball 709771, and finally install the foundation foot.

911353 is placed on top of 908458 and tubes 908460



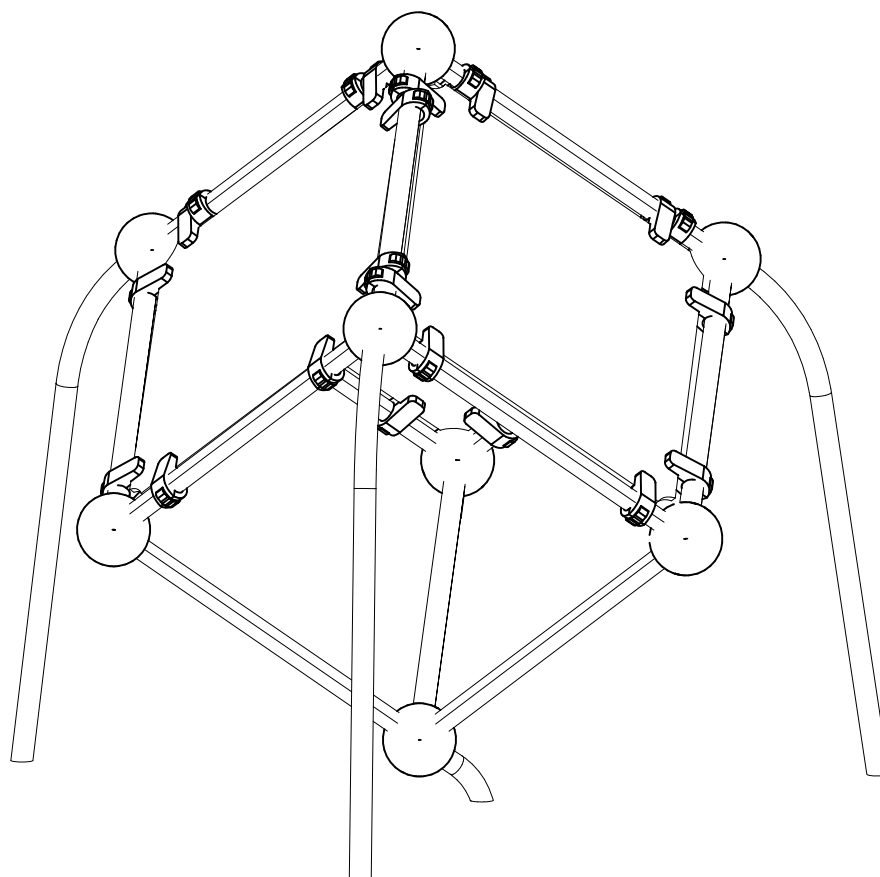
# **LAPPSET®**

## **PARKOUR**

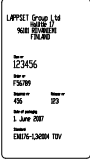
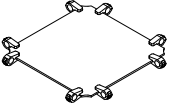
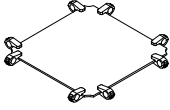
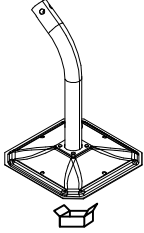

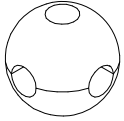



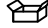

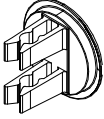
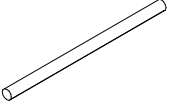
ASENNUSOHJE  
MONTERINGSANSVISNING  
INSTALLATION INSTRUCTION  
AUFBAUANLEITUNG  
NOTICE D'INSTALLATION

DATE: 23.2.2015

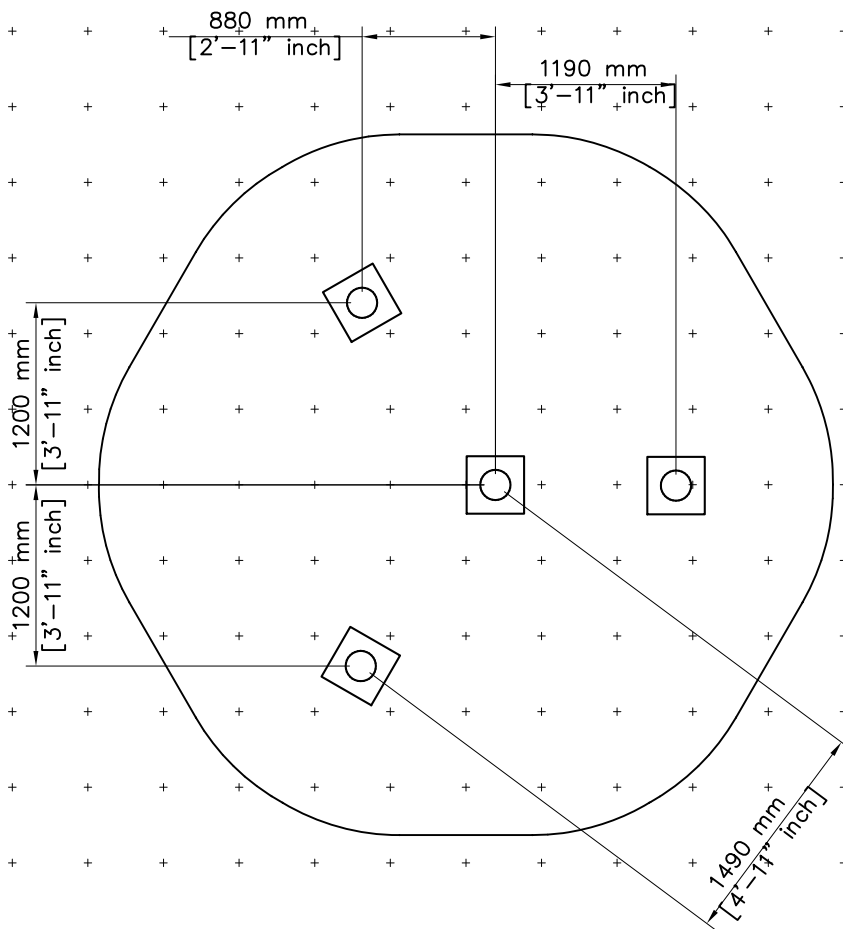
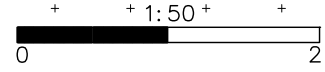
# **220531**



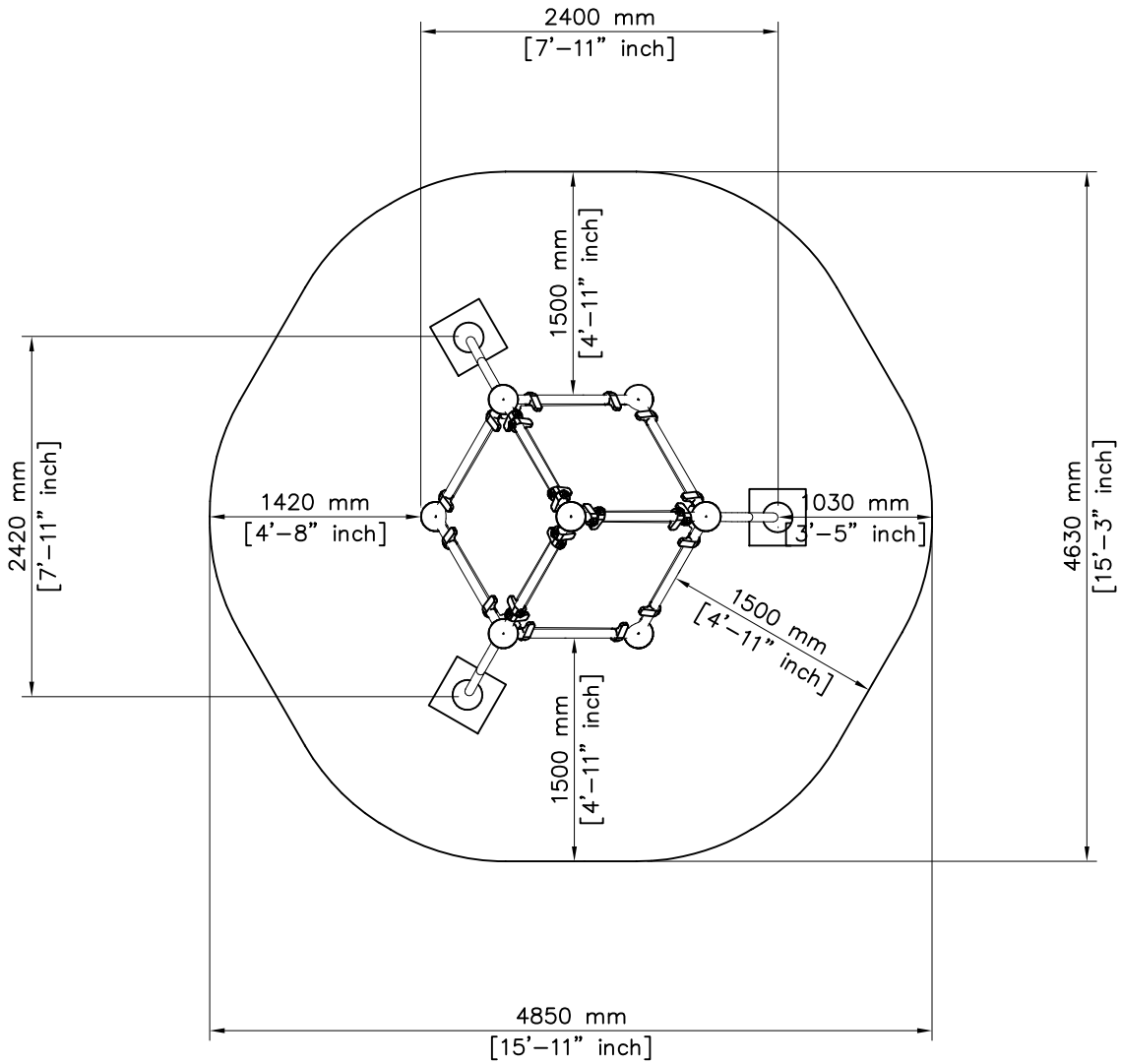
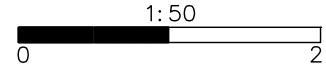
DATE: 23.2.2015

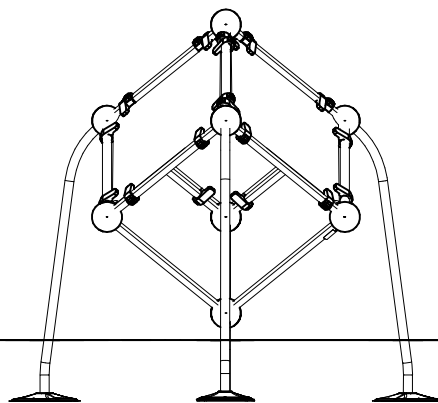
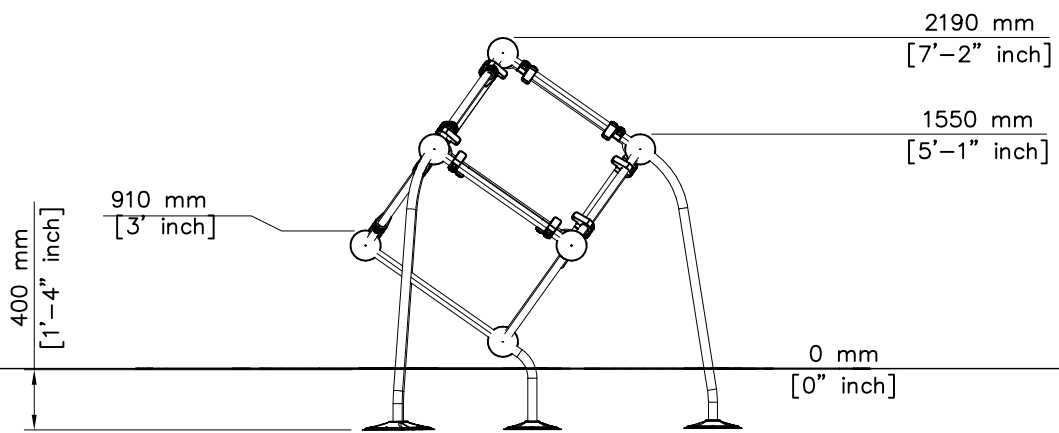
702341	PCS	703456	PCS	703459	PCS	703638	PCS	703640	PCS	902134	PCS
	1		2		1		1		3		8
90x50											
904747	PCS	902424	PCS		PCS		PCS		PCS		PCS
	20		12								
60x60x2		L 1034									
	PCS		PCS		PCS		PCS		PCS		PCS
	PCS		PCS		PCS		PCS		PCS		PCS
	PCS		PCS		PCS		PCS		PCS		PCS
	PCS		PCS		PCS		PCS		PCS		PCS

EN/AS Impact Area 17.8 m<sup>2</sup> (192 sq ft)  
Falling Space Area 17.8 m<sup>2</sup> (192 sq ft)  
Grid size = 500 mm (20" in)

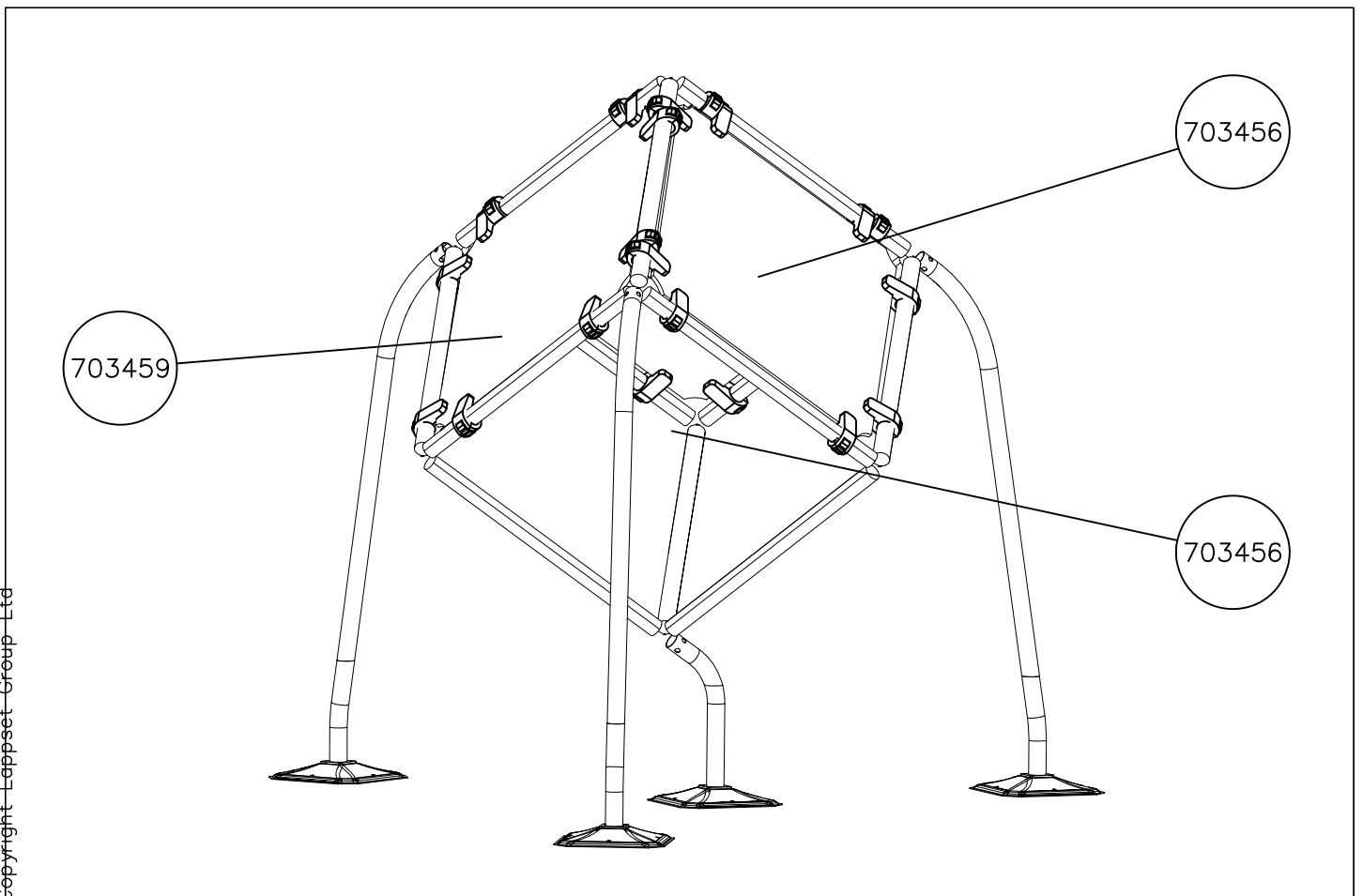
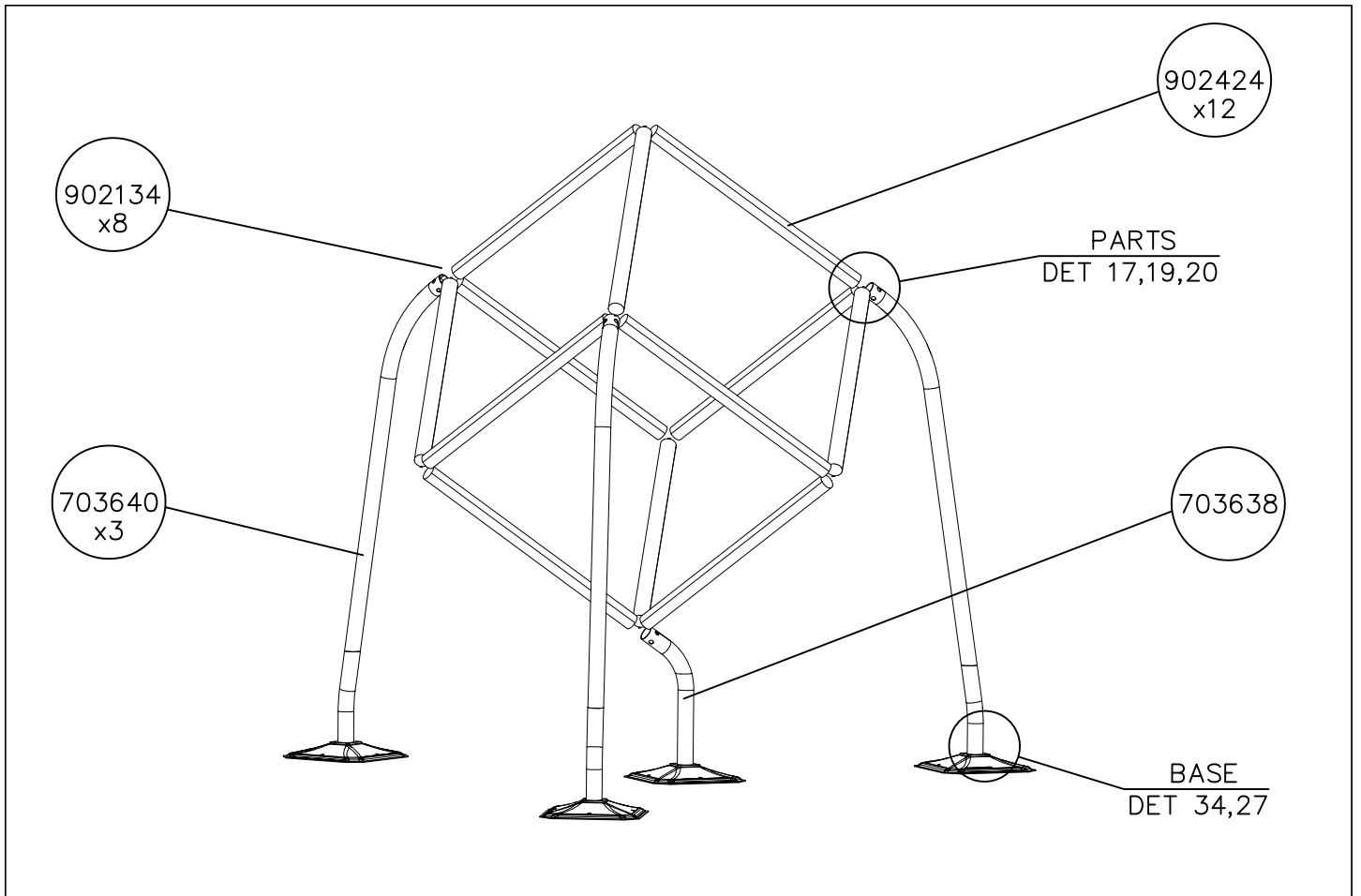


EN Impact Area 17.8 m<sup>2</sup> (192 sq ft)  
Falling Space Area 17.8 m<sup>2</sup> (192 sq ft)  
Max Falling Height 2190 mm (7'-2" in)

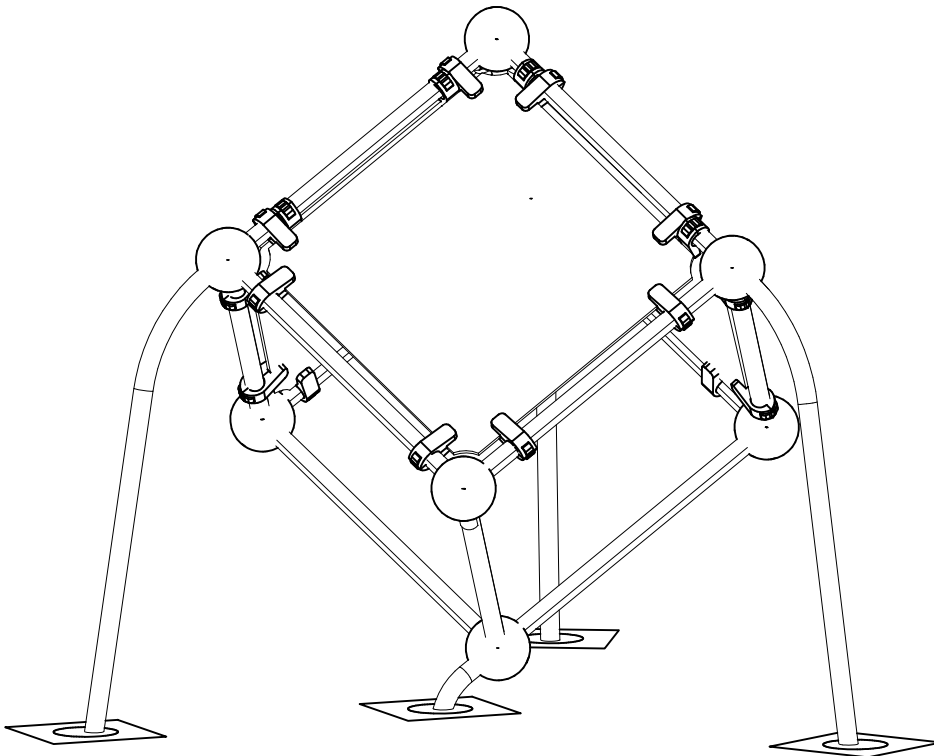
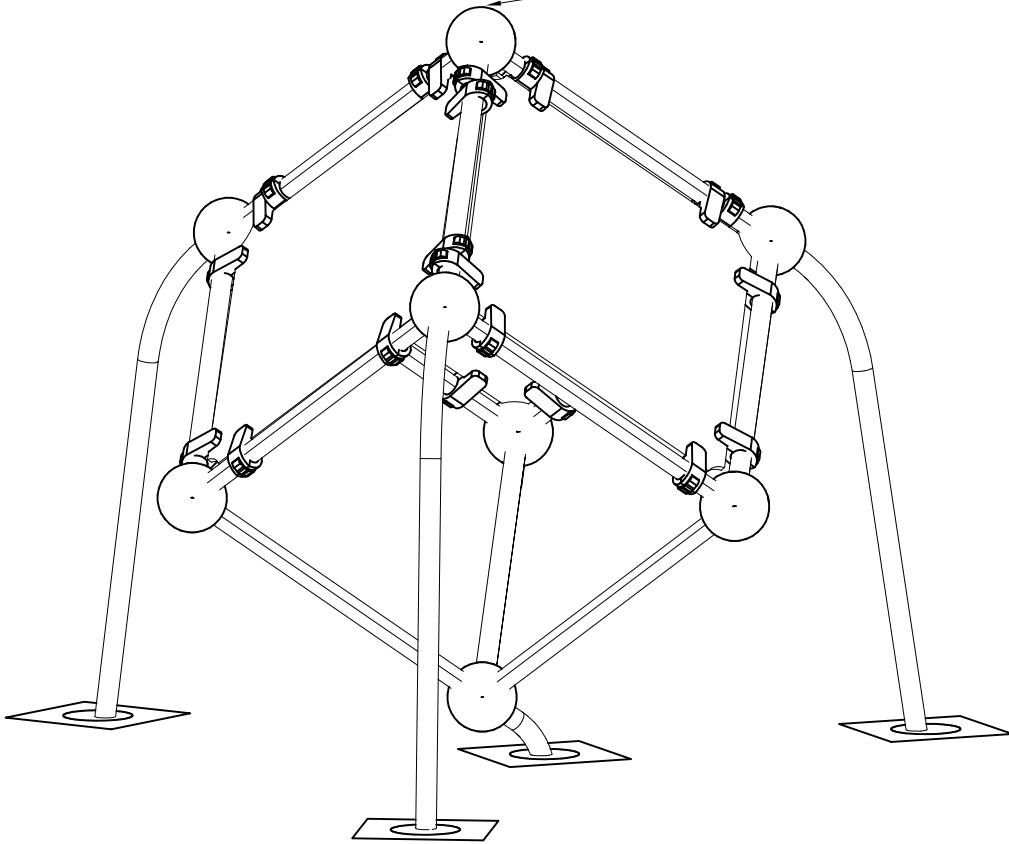


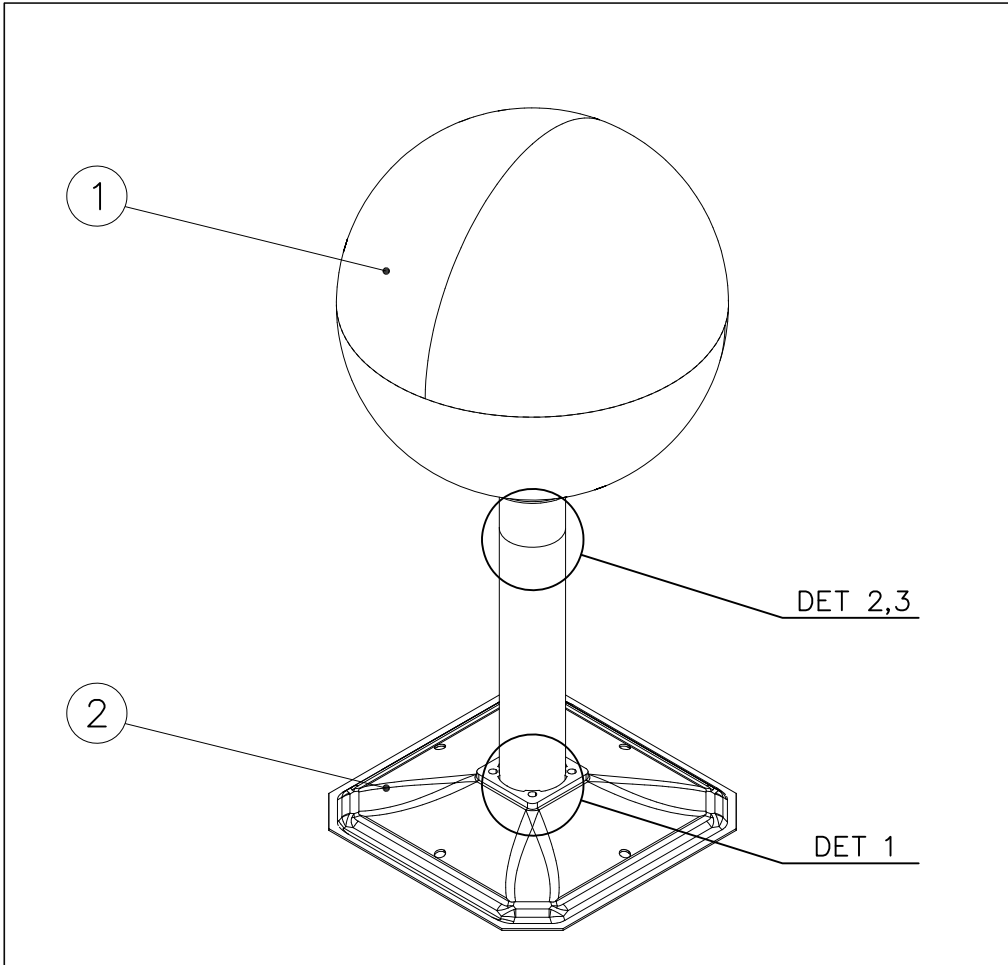


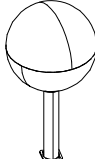
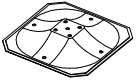

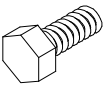

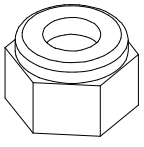


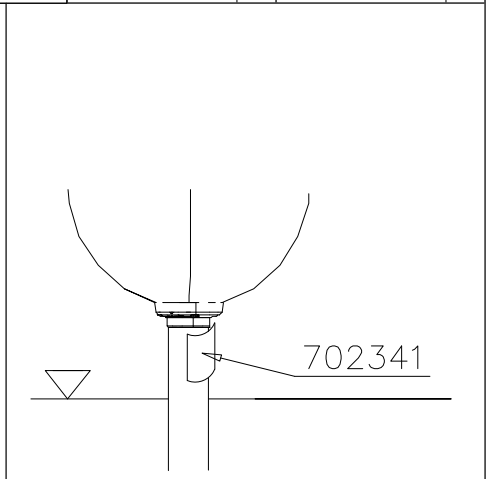
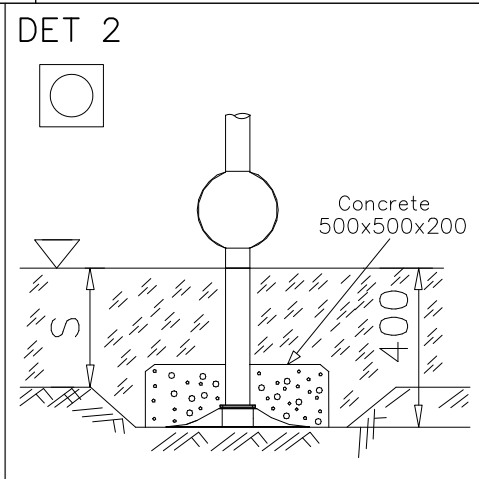
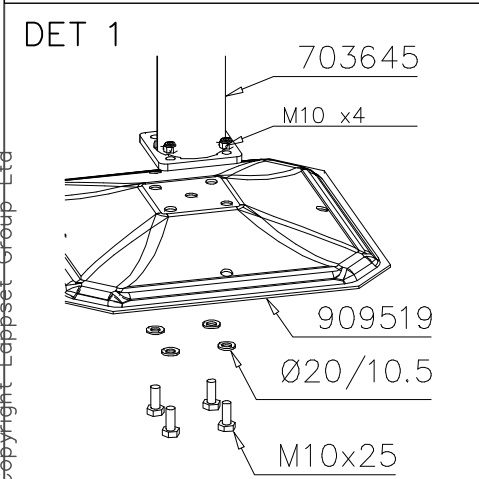
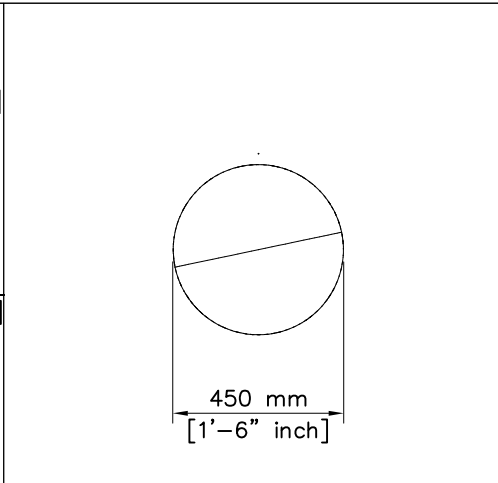
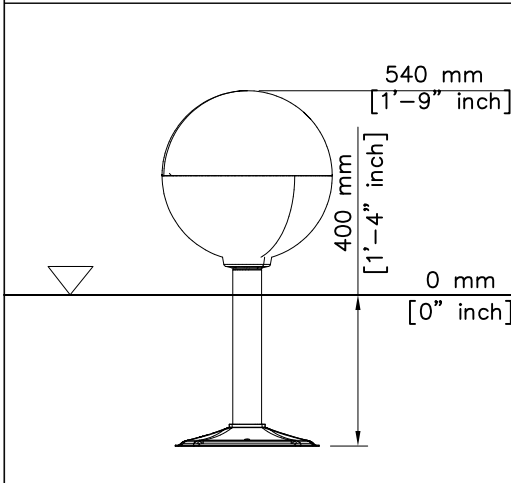


Max Falling Height 2190 mm

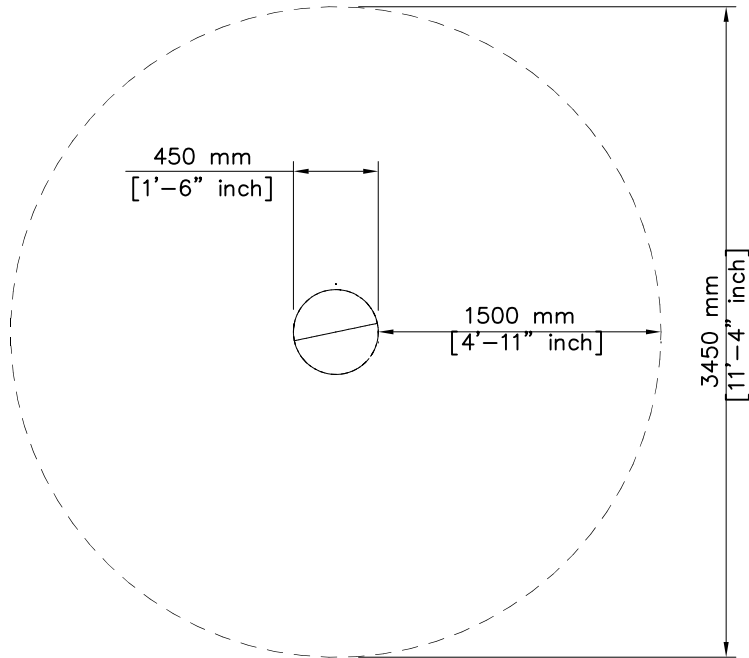
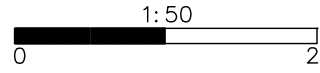


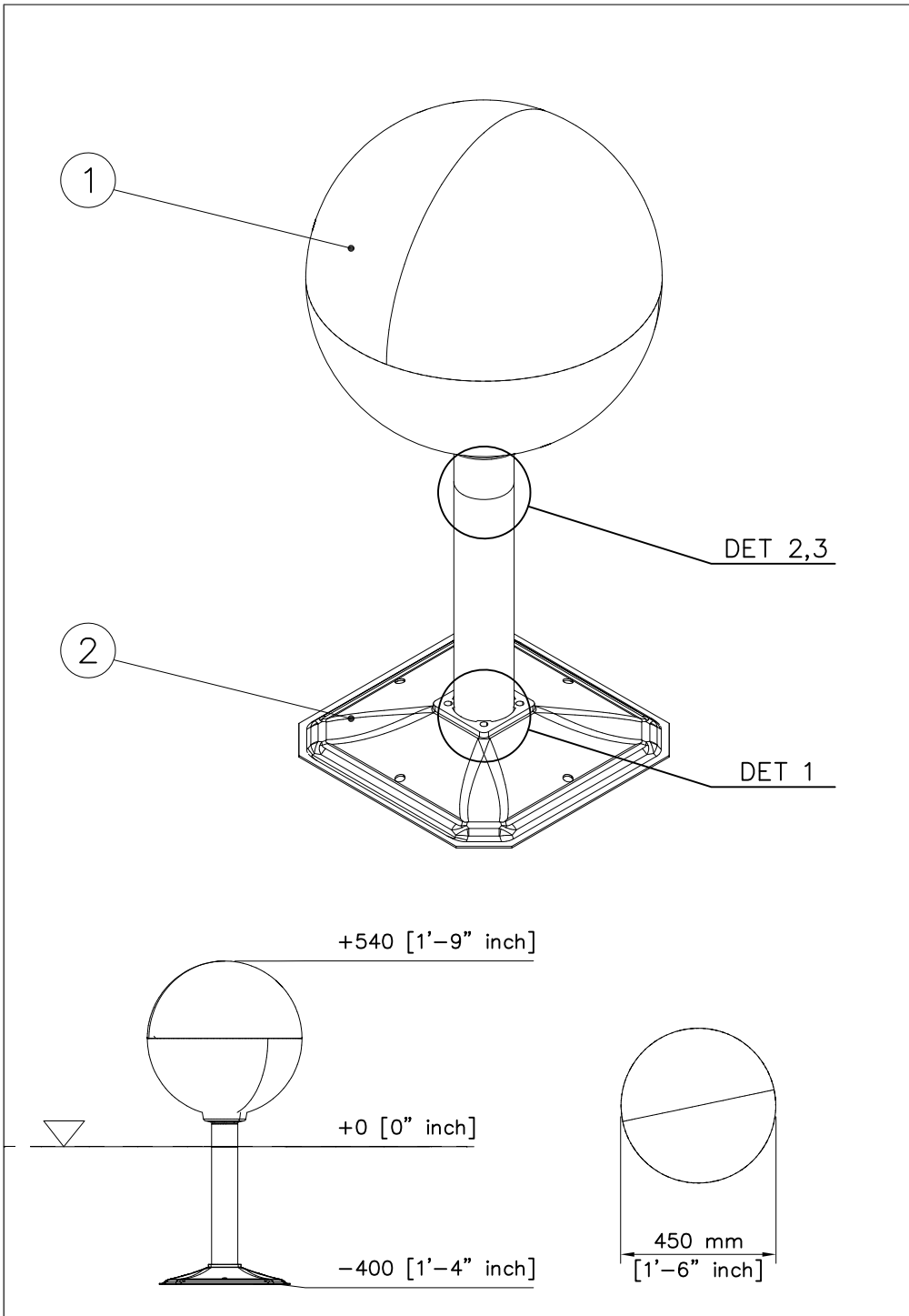


① 703644	PCS	② 909519	PCS
	1		1
		380x380	
③ 909638	PCS	④ 909639	PCS
	4		4
Ø20/10.5		M10x25	
⑤ 702341	PCS	⑥ 909637	PCS
	1		4
		M10	
	PCS		PCS
	PCS		PCS
	PCS		PCS

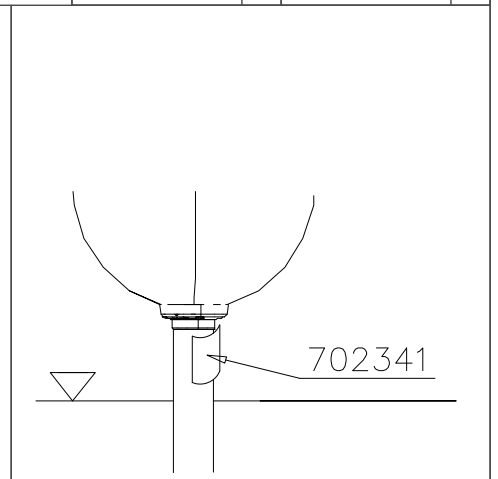
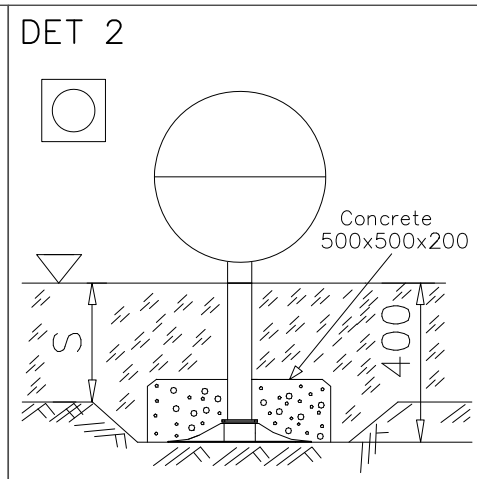
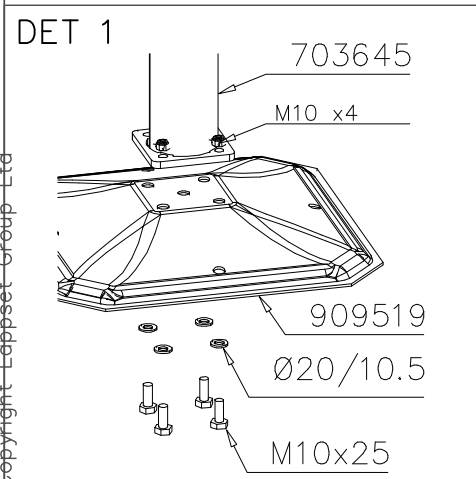


----- Falling Space 9.3 m<sup>2</sup> (100 sq ft)  
Max Falling Height 540 mm (1'-9" in)

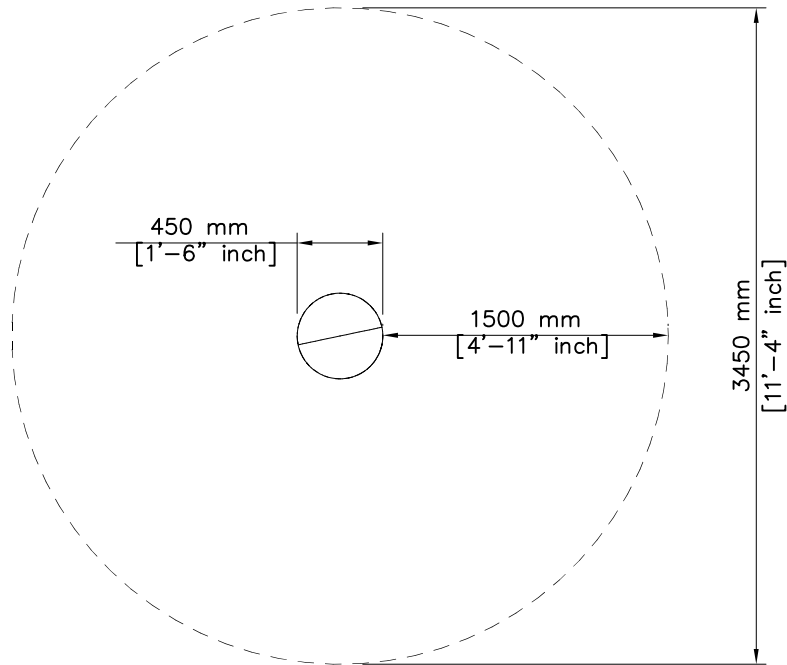
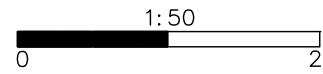




① 703645	PCS	② 909519	PCS
	1		1
		380x380	
③ 909638	PCS	④ 909639	PCS
	4		4
Ø20/10.5		M10x25	
⑤ 702341	PCS	⑥ 909637	PCS
	1		4
		M10	
	PCS		PCS
	PCS		PCS
	PCS		PCS



----- Falling Space 9.3 m<sup>2</sup> (100 sq ft)  
Max Falling Height 540 mm (1'-9" in)



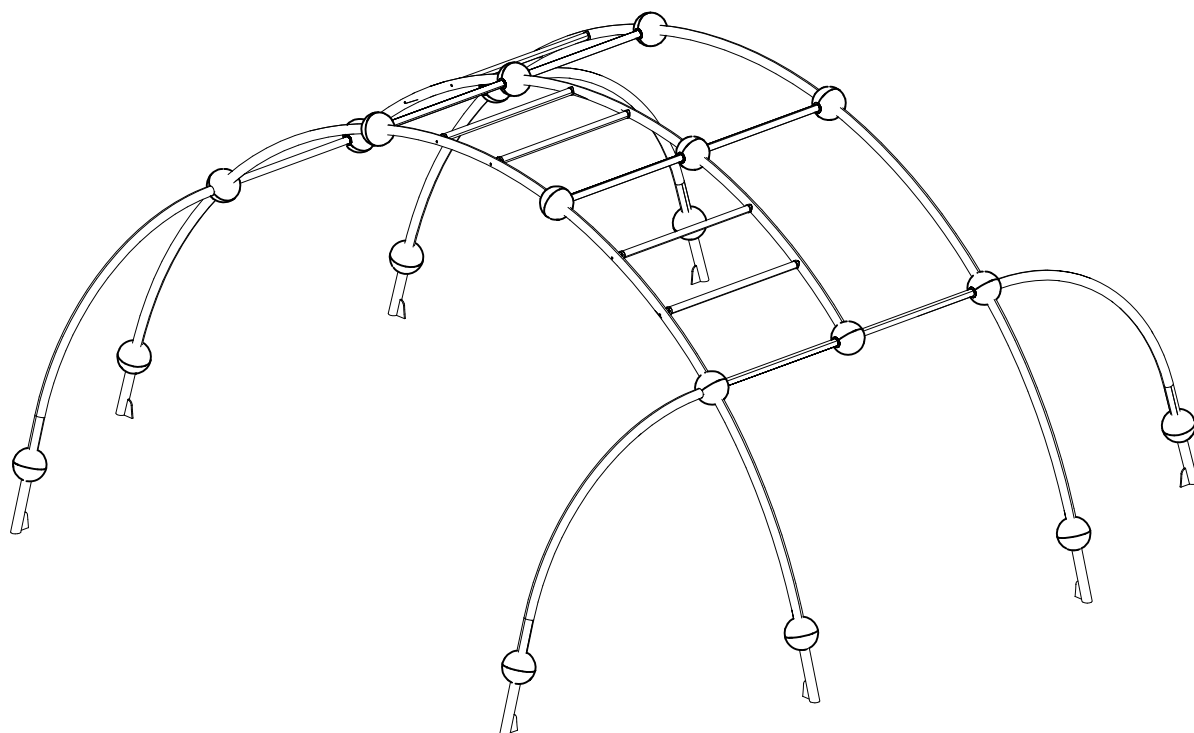
# **LAPPSET®**

## **PARKOUR**


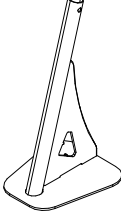
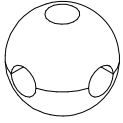

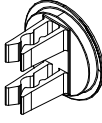

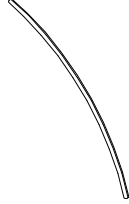

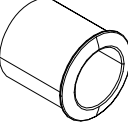
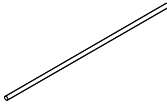
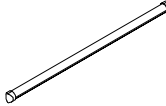


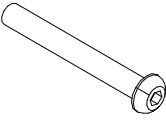
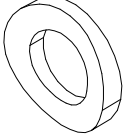
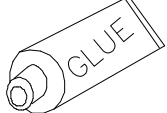
ASENNUSOHJE  
MONTERINGSANSVISNING  
INSTALLATION INSTRUCTION  
AUFBAUANLEITUNG  
NOTICE D'INSTALLATION

DATE: 20.2.2015

# **220513**

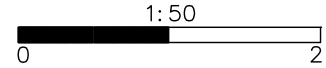


DATE: 20.2.2015

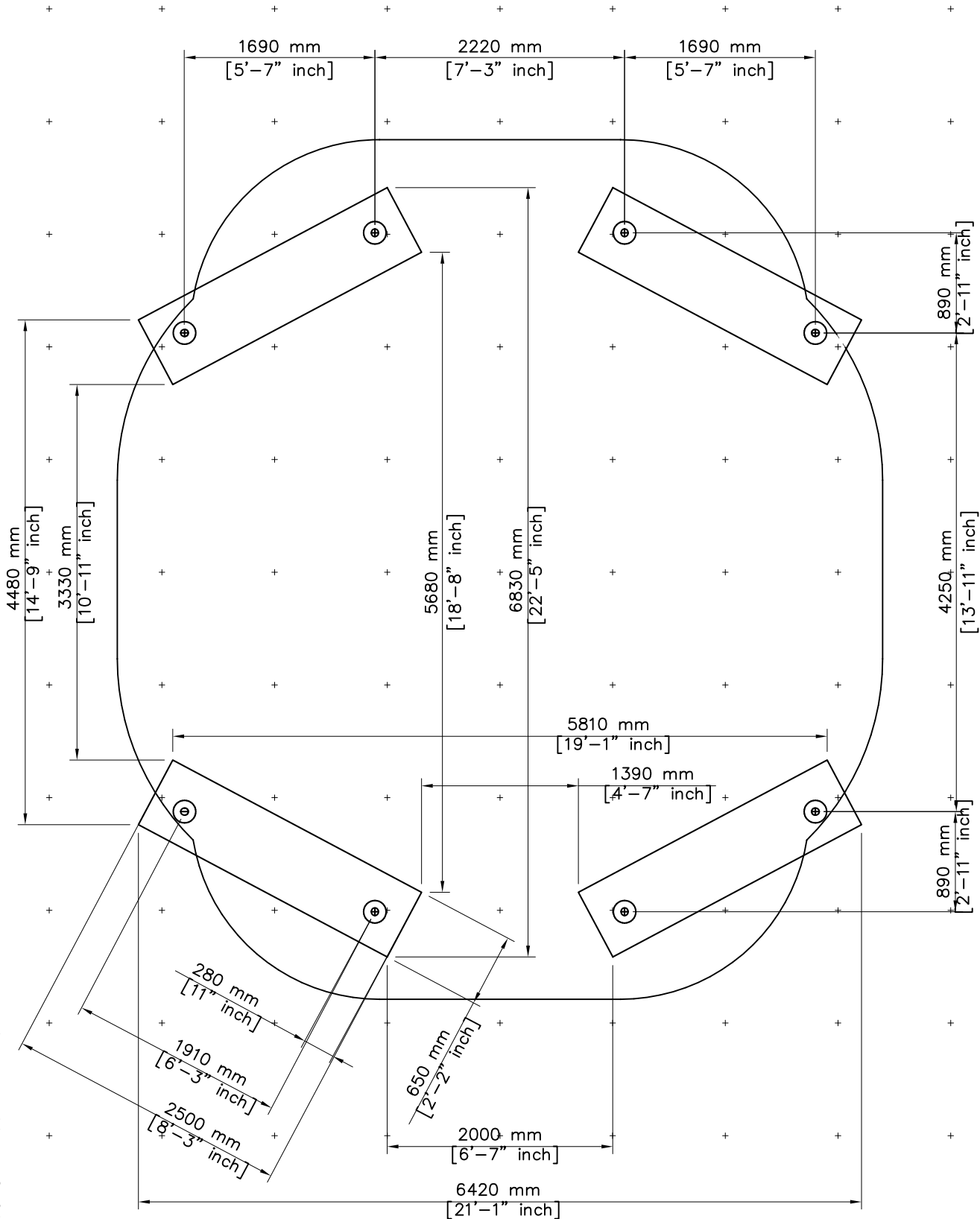
<p>702341</p>  <p>90x50</p>	<p>PCS</p> <p>1</p>	<p>904161</p> 	<p>PCS</p> <p>8</p>	<p>902134</p>  	<p>PCS</p> <p>20</p>	<p>904747</p>  <p>60x60x2</p>	<p>PCS</p> <p>62</p>	<p>904004</p>  <p>60.3x2.5</p>	<p>PCS</p> <p>4</p>	<p>904005</p>  <p>60.3x2.5</p>	<p>PCS</p> <p>2</p>
<p>904007</p>  <p>60.3x2.5</p>	<p>PCS</p> <p>1</p>	<p>904100</p>  <p>44.5-60.3</p>	<p>PCS</p> <p>16</p>	<p>904102</p>  <p>Ø44.5x2148</p>	<p>PCS</p> <p>4</p>	<p>904103</p>  <p>Ø44.5x1073</p>	<p>PCS</p> <p>6</p>	<p>904124</p>  <p>60.3x2.5</p>	<p>PCS</p> <p>4</p>	<p>904125</p>  <p>60.3x2.5</p>	<p>PCS</p> <p>2</p>
<p>904133</p>  <p>M10x80</p>	<p>PCS</p> <p>12</p>	<p>904158</p>  <p>Ø18/10.5</p>	<p>PCS</p> <p>12</p>	<p>999561</p>  <p>GLUE</p> <p>10g</p>	<p>PCS</p> <p>1</p>		<p>PCS</p>		<p>PCS</p>		<p>PCS</p>
	<p>PCS</p>		<p>PCS</p>		<p>PCS</p>		<p>PCS</p>		<p>PCS</p>		<p>PCS</p>
	<p>PCS</p>		<p>PCS</p>		<p>PCS</p>		<p>PCS</p>		<p>PCS</p>		<p>PCS</p>
	<p>PCS</p>		<p>PCS</p>		<p>PCS</p>		<p>PCS</p>		<p>PCS</p>		<p>PCS</p>



EN/AS Impact Area 44.4 m<sup>2</sup> (478 sq ft)  
 Grid size = 1000 mm (40" in)

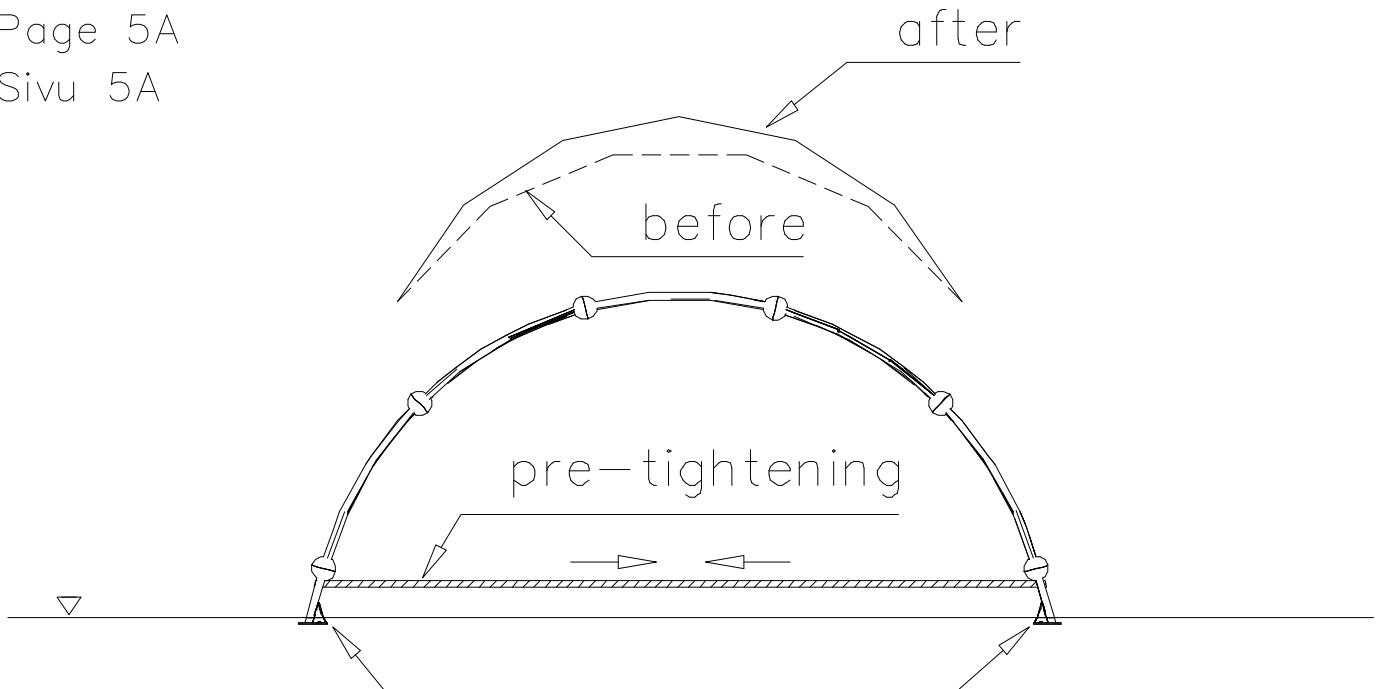


Note: page 4 (2/2)  
 Huom: sivu 4 (2/2)



Page 5A

Sivu 5A



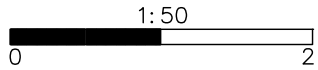
Before the concrete is poured, pre-tension the cage so that the shape of the product is round and even. The tensioning can be done using i.e. chain hoist or lashing straps. Remove the tensioners when concrete has dried enough to prevent the foot from moving.

Esijännitä tuote liinoilla tai taljoilla siten, että kaarevuus on tasainen ja symmetrinen. Kun haluttu muoto on saavutettu, valaa betoni. Poista kiristimet vasta kun betoni on kuivunut siten, että jalat eivät pääse liikkumaan.

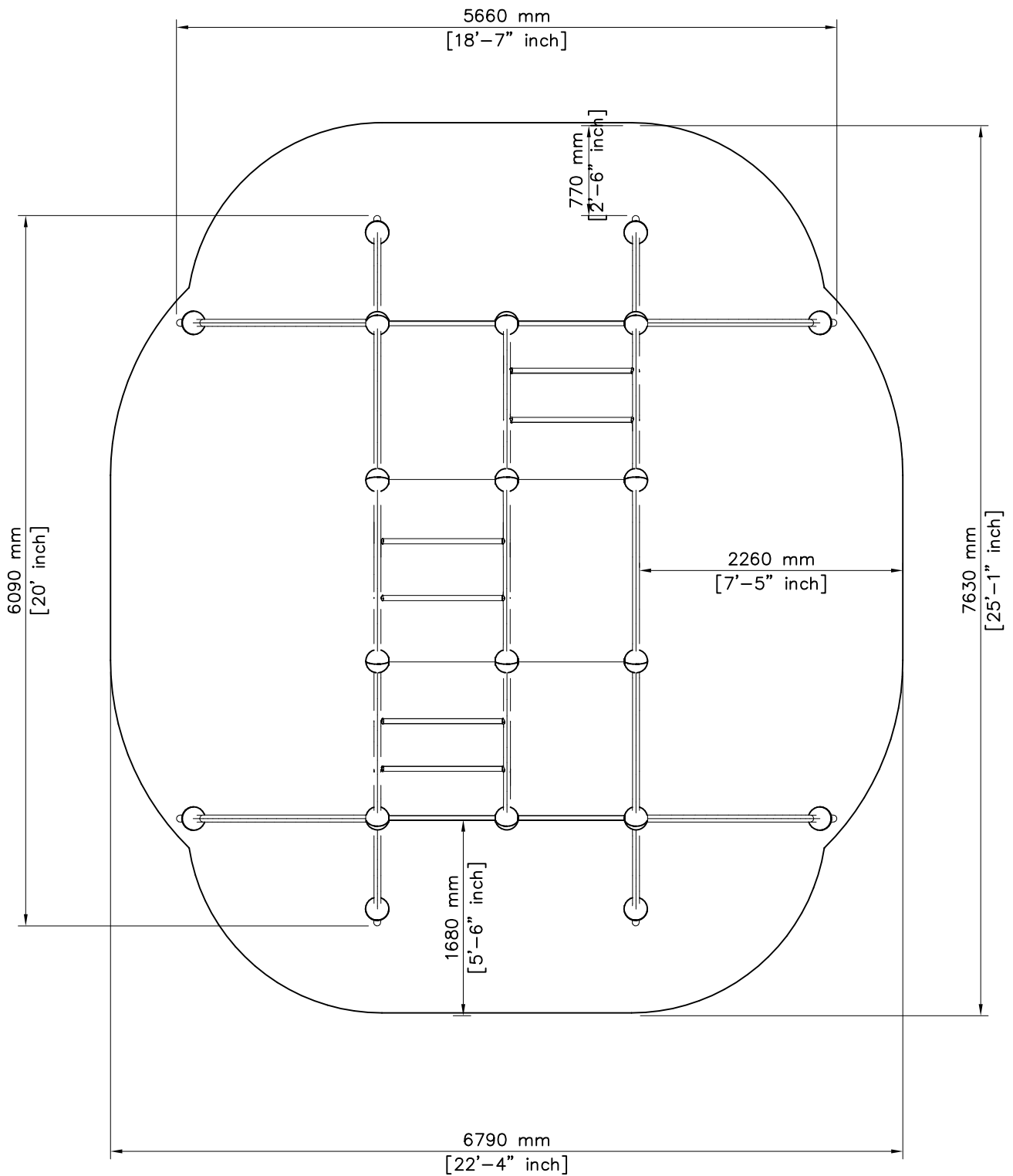
Page 4, 5 Note: exact distances for the feet may vary depending on the pre-tensioning of the structure.

Sivu 4, 5 Huom: Jalkojen etäisyydet voivat erota jonkin verran kuvan mitoista. Tarkka mitoitus määräytyy rakenteen esijännityksen perusteella.

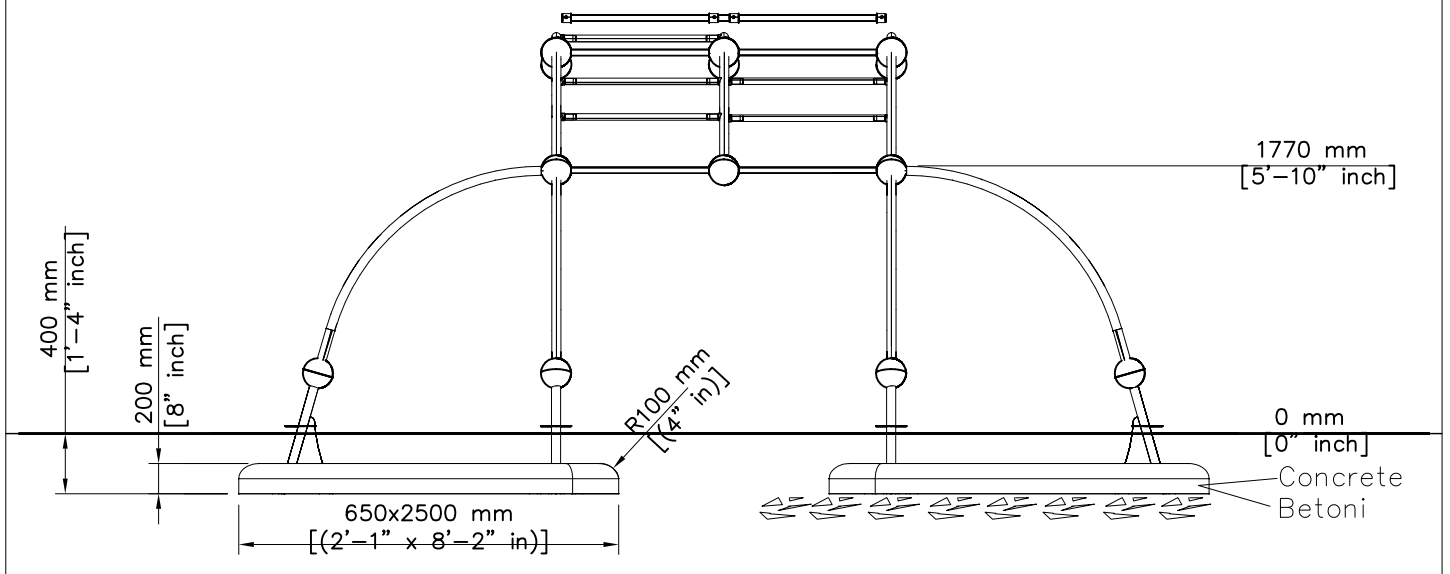
—— EN/AS Impact Area 44.4 m<sup>2</sup> (478 sq ft)  
 - - - - Falling Space 44,4 m<sup>2</sup> (478 sq ft)  
 Max Falling Height 2650 mm (8' -9" in)



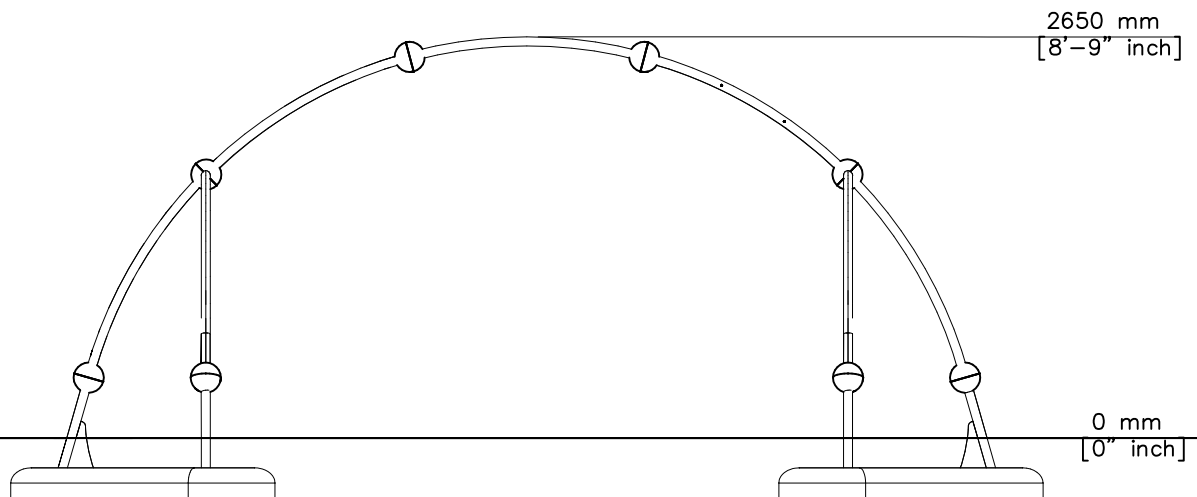
Note: page 4 (2/2)  
 Huom: sivu 4 (2/2)

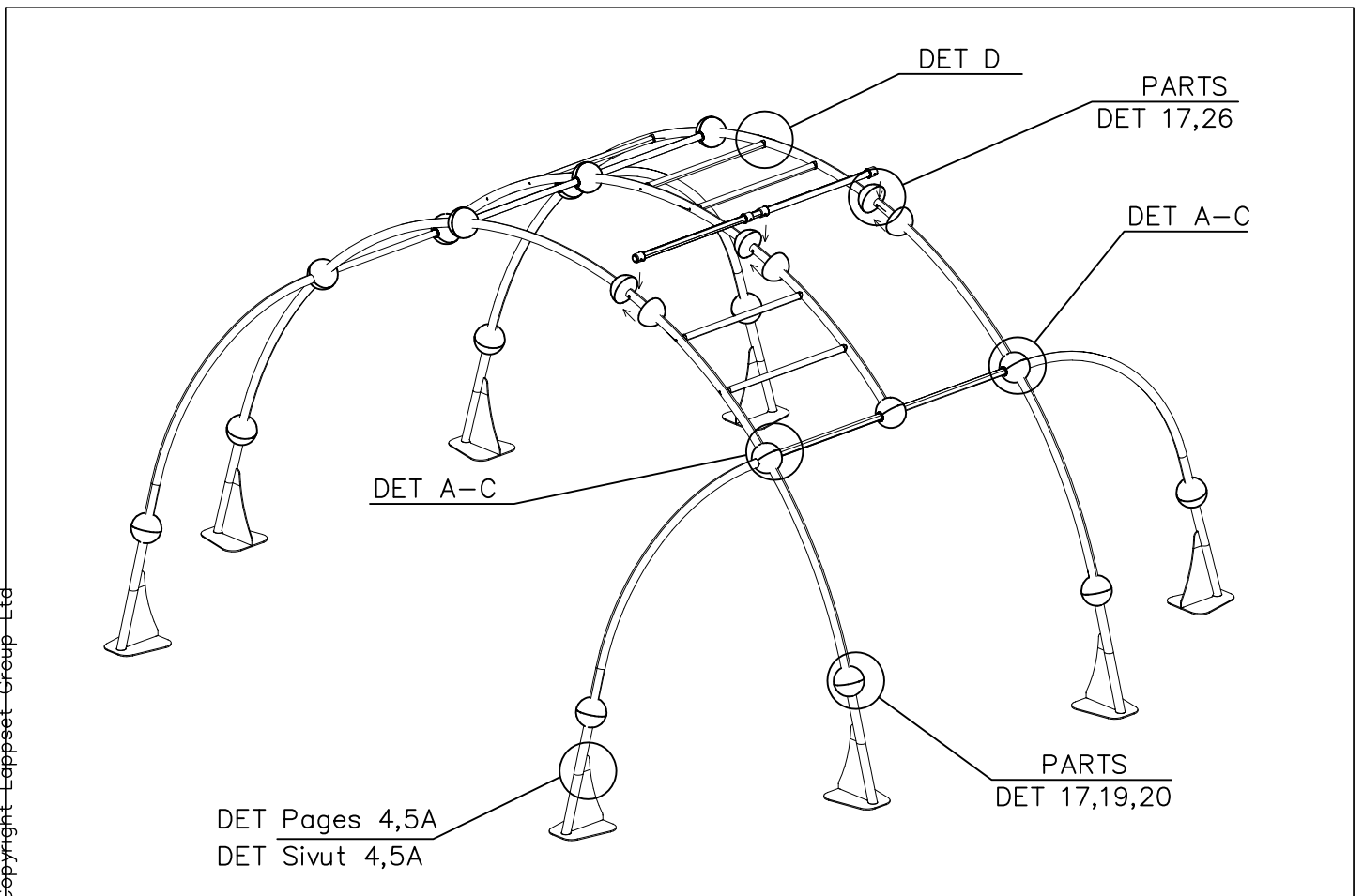
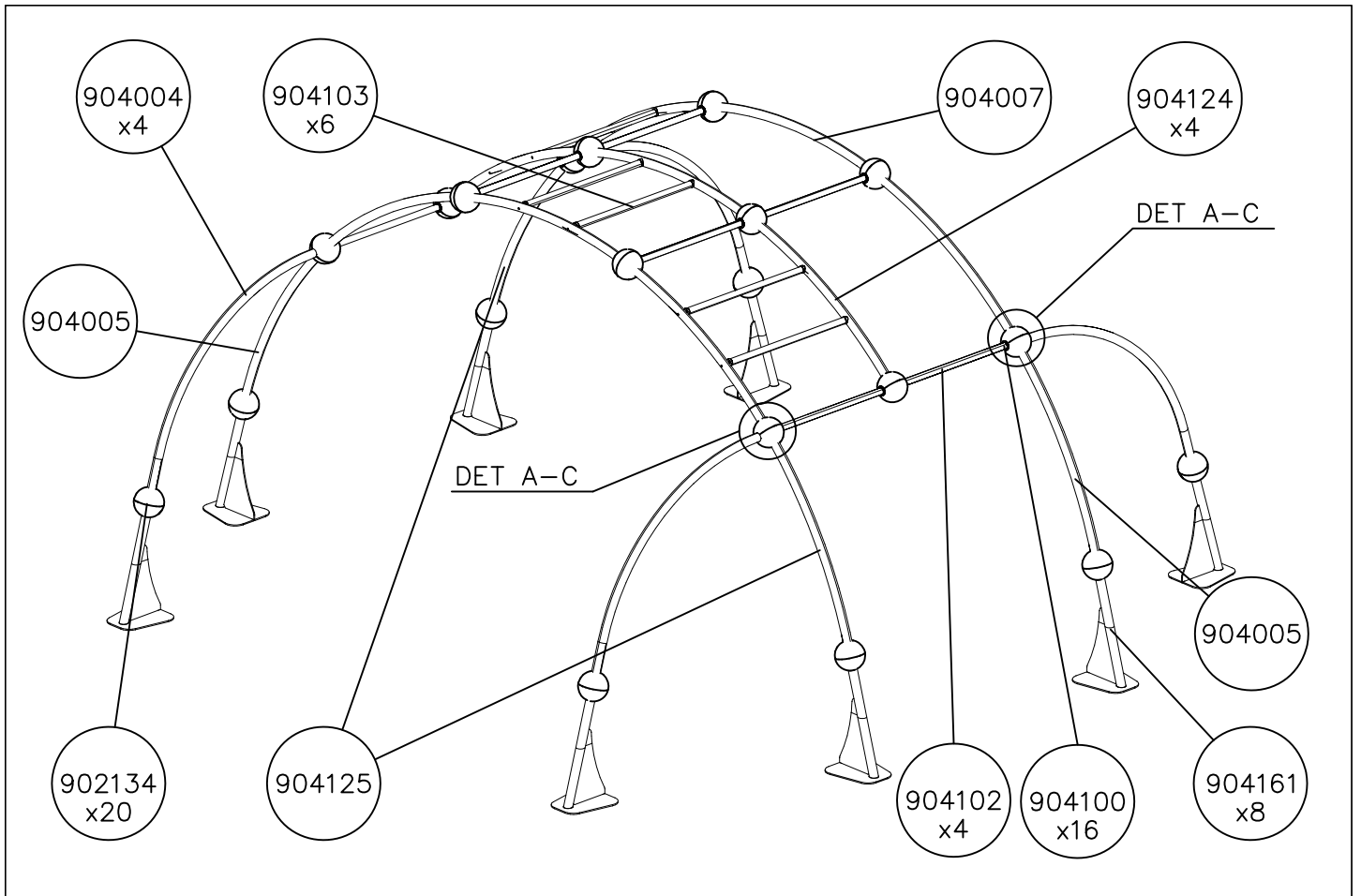


Note: page 4 (2/2) 5A.  
 Huom: sivu 4 (2/2) 5A.



Note: page 4 (2/2) 5A.  
 Huom: sivu 4 (2/2) 5A.

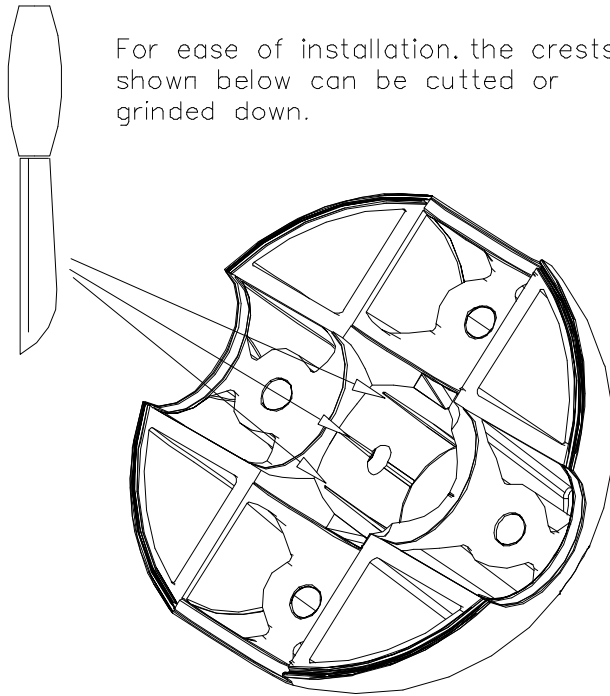




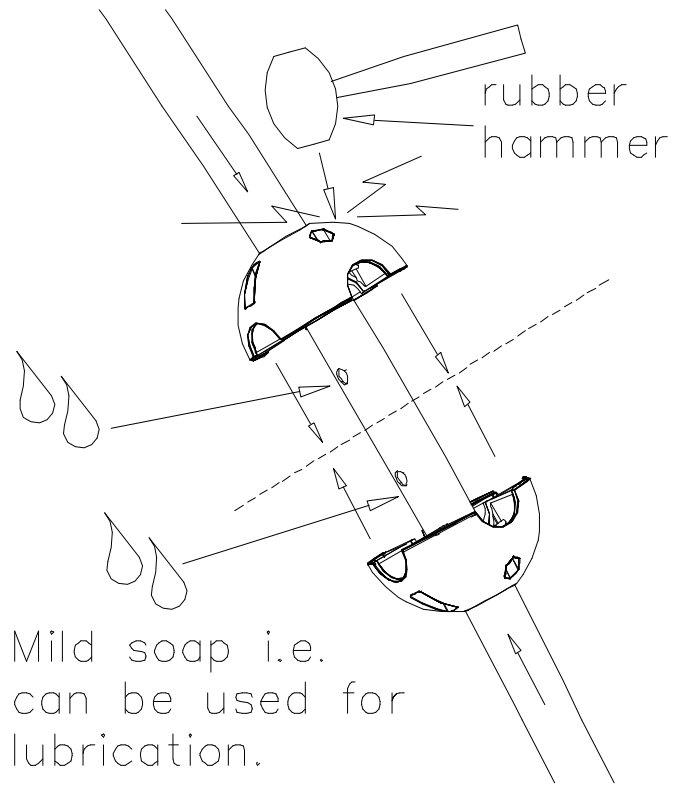
DET A

Asennuksen helpottamiseksi voidaan poistaa kyntettä.

For ease of installation, the crests shown below can be cutted or grinded down.



DET B

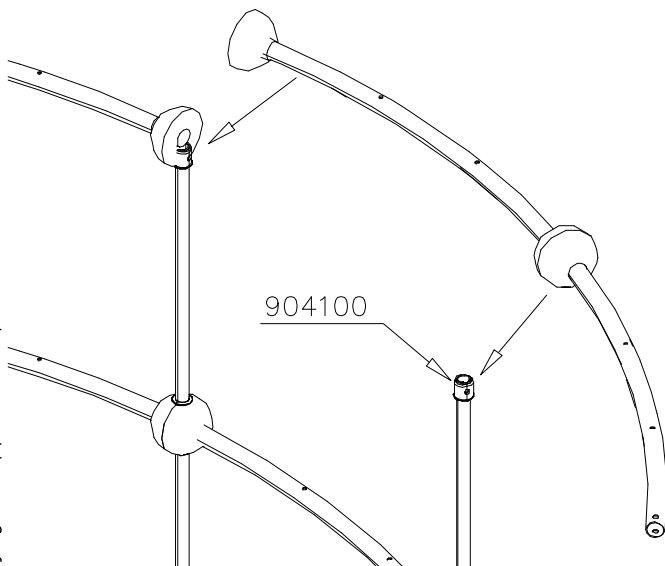


Mild soap i.e. can be used for lubrication.

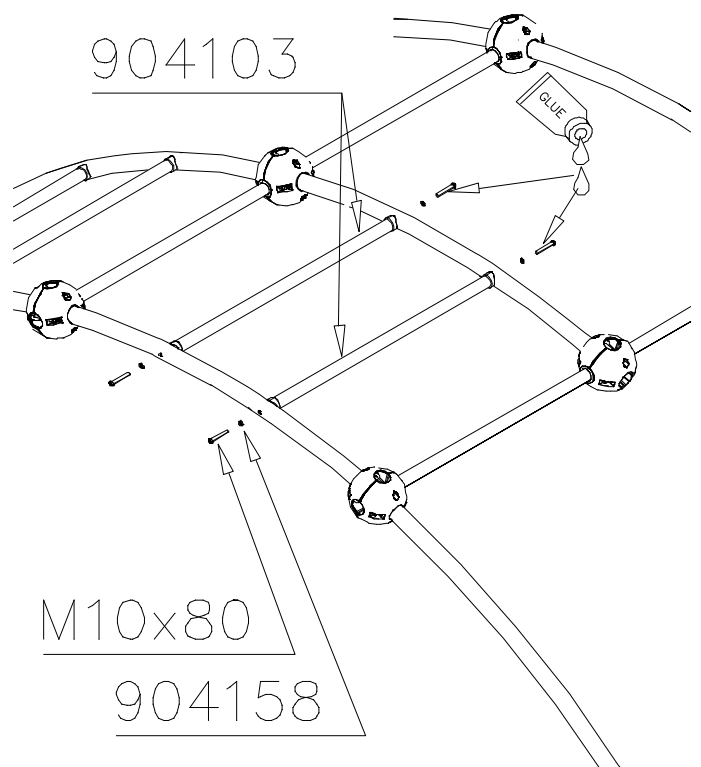
DET C

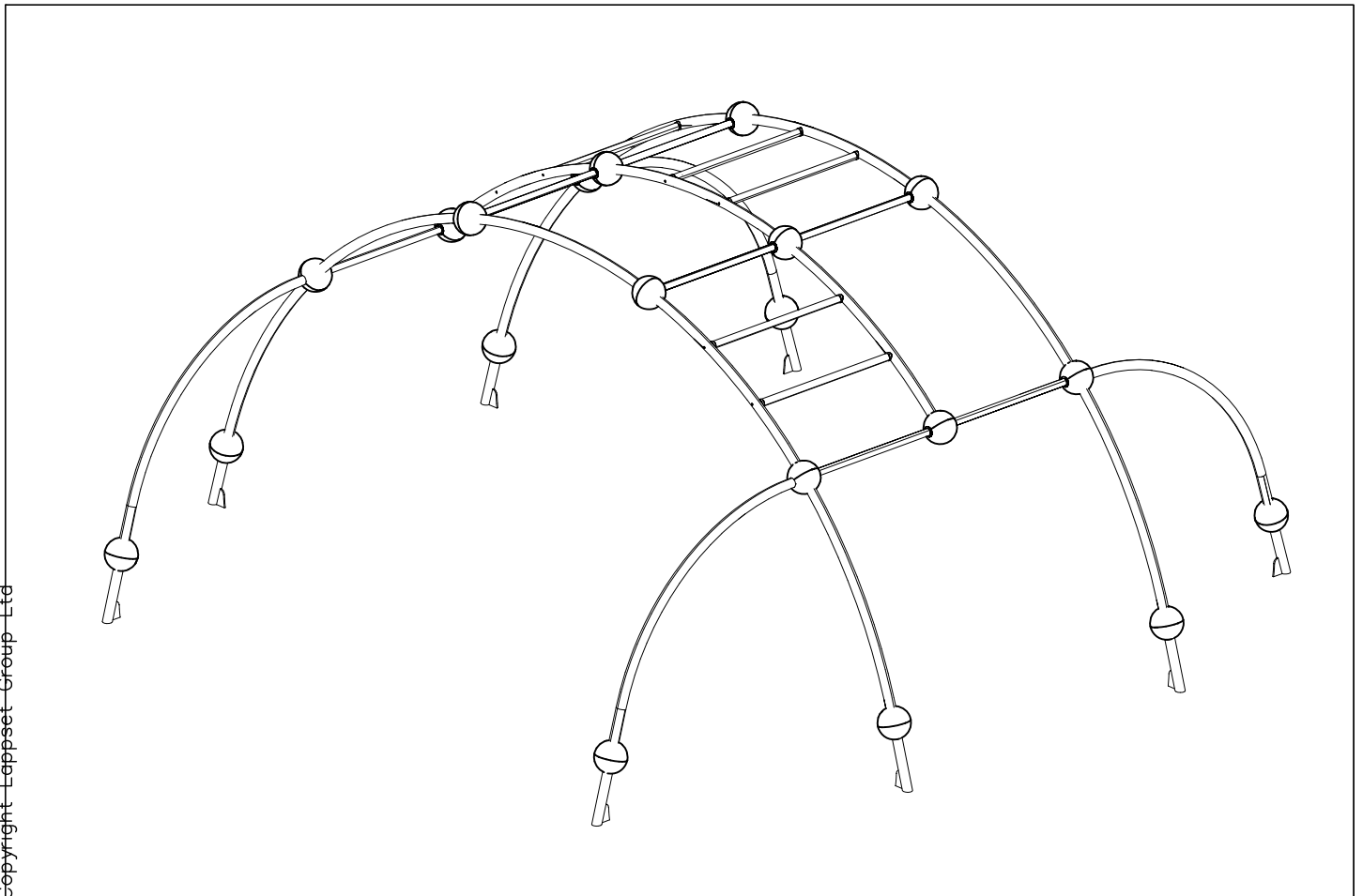
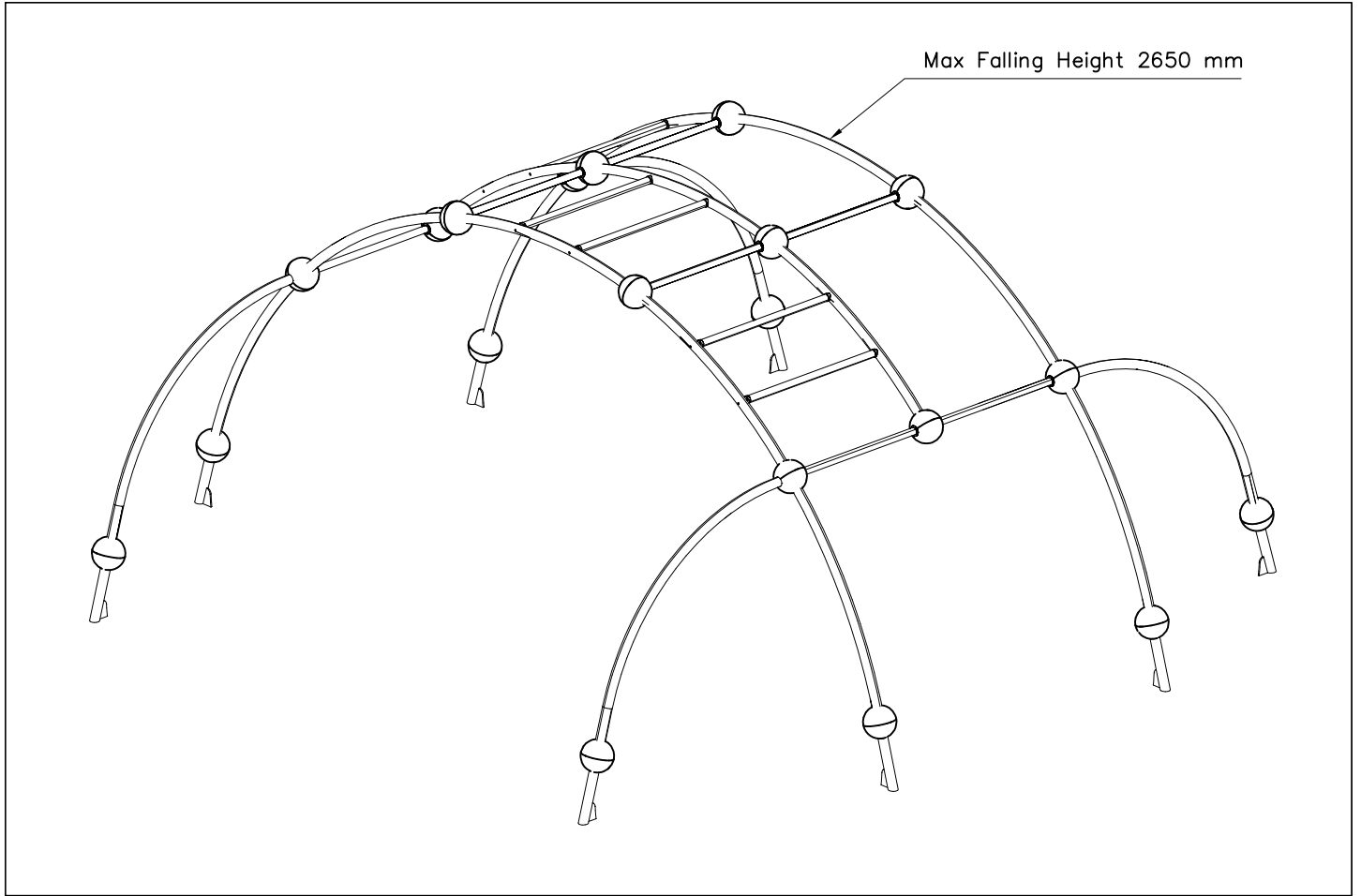
Asennuksen helpottamiseksi voidaan tuote esi-kasata syrjällään jo ennen pystytystä.

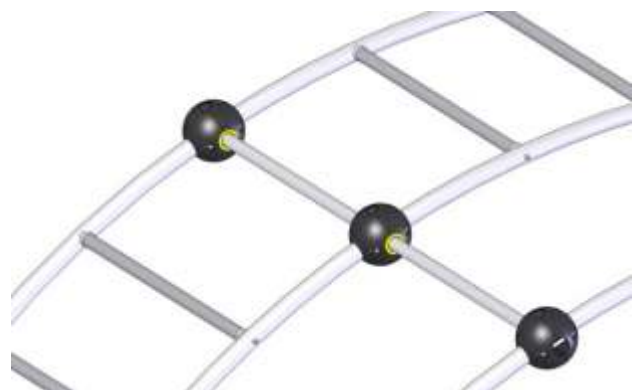
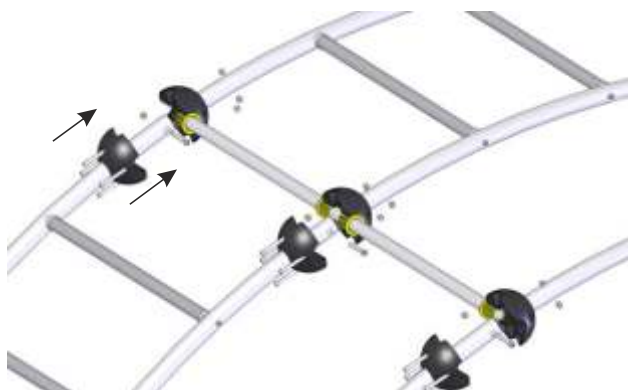
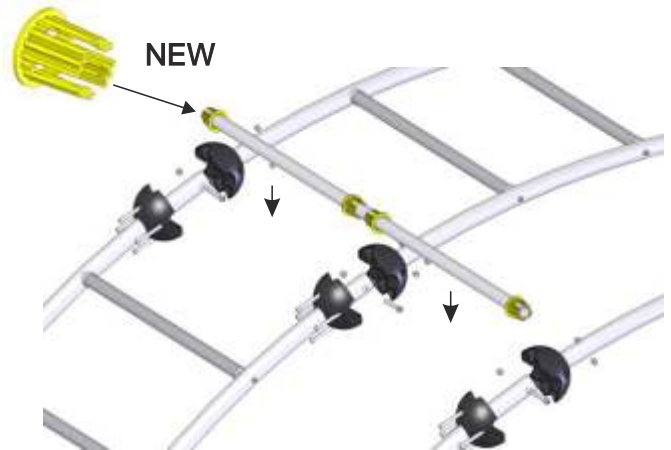
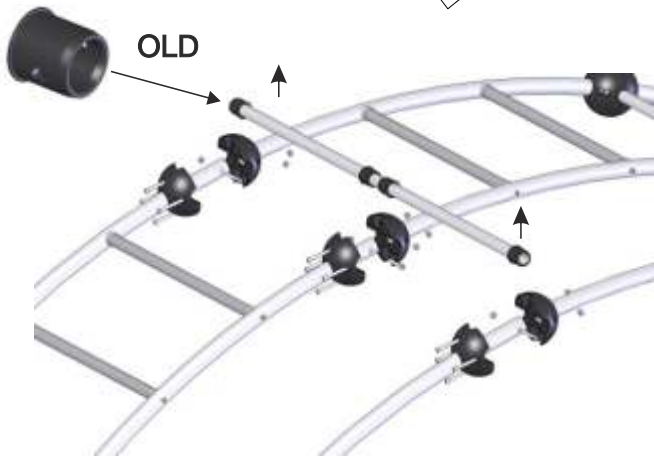
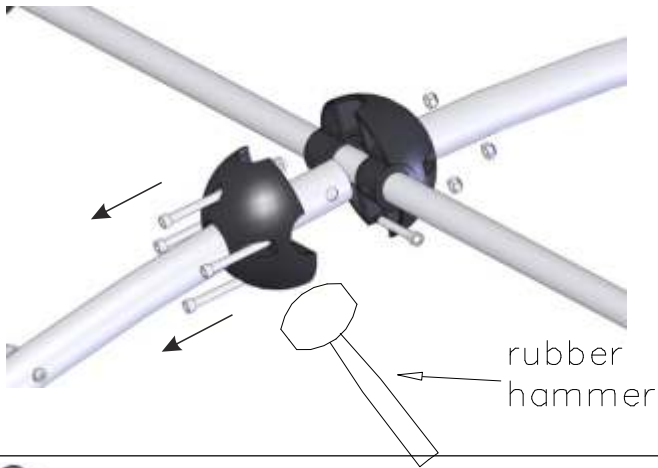
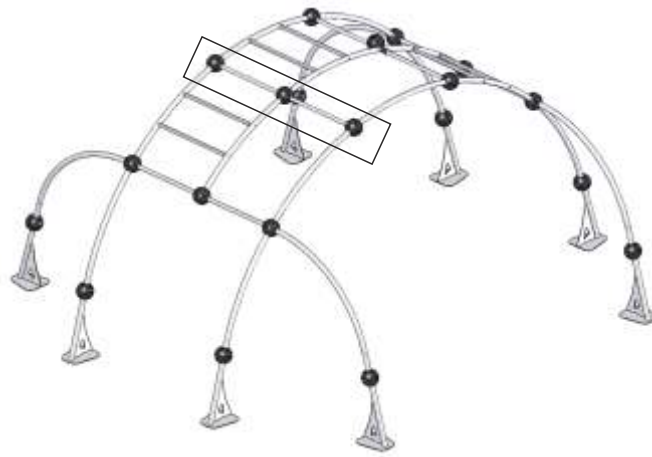
The product can be pre-assembled on it's side for easier assembly.



DET D







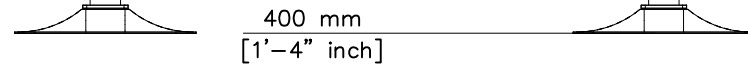
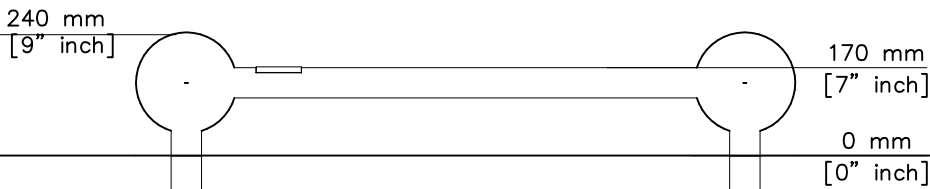
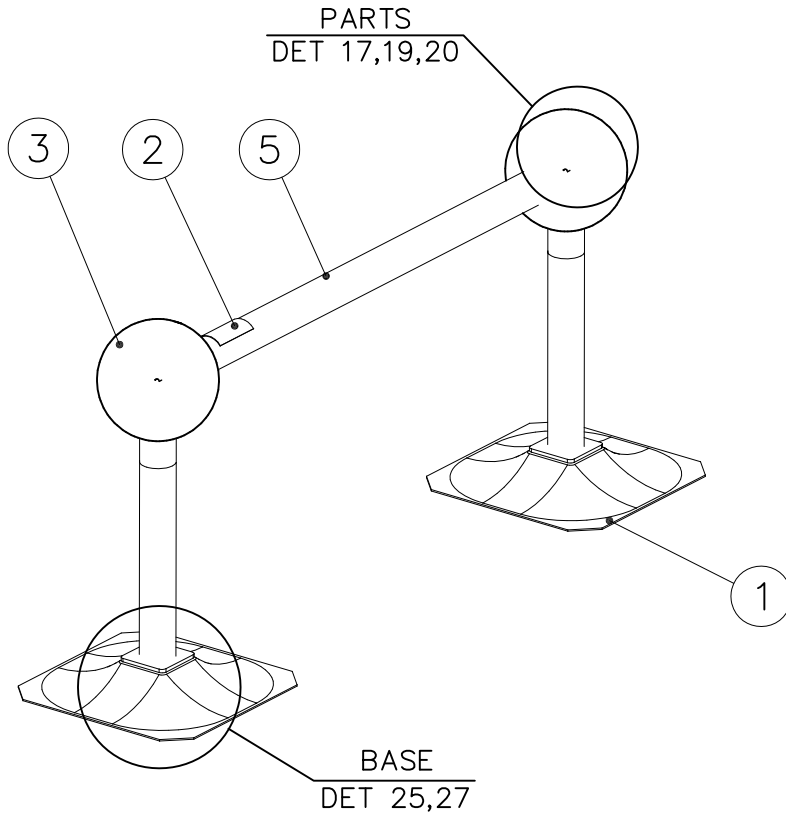


# LAPPSET® PARKOUR

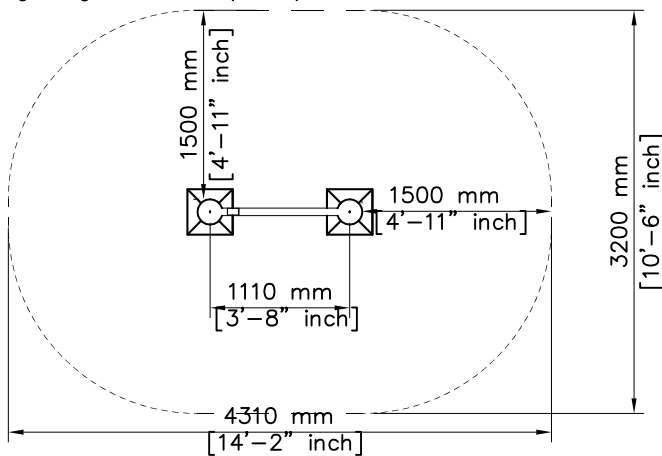
# 220540

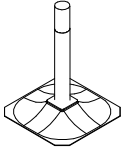

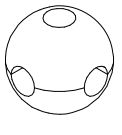
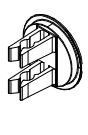
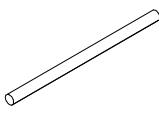
DATE: 7.1.2016

# 1(1)

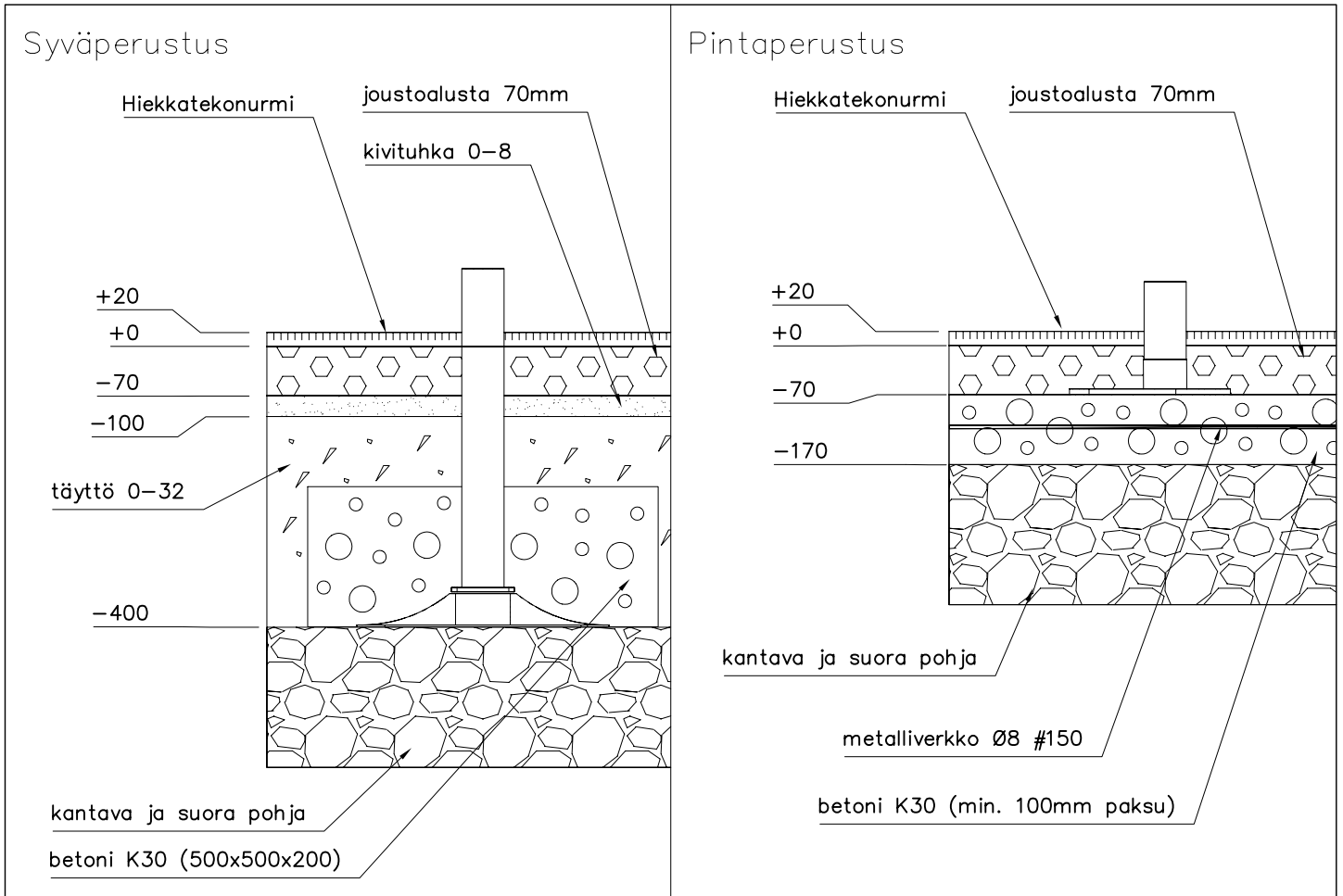


Falling Space 11.9 m<sup>2</sup> (128.4 sq ft)  
Max Falling Height 170mm (7" in)



①	701985	PCS	②	702341	PCS
	2			1	
			90x50		
③	902134	PCS	④	904747	PCS
	2			8	
			60x60x2		
⑤	902424	PCS			PCS
	1				
L 1034					
	PCS				PCS
	PCS				PCS
	PCS				PCS
	PCS				PCS
	PCS				PCS

DATE: 18.8.2011



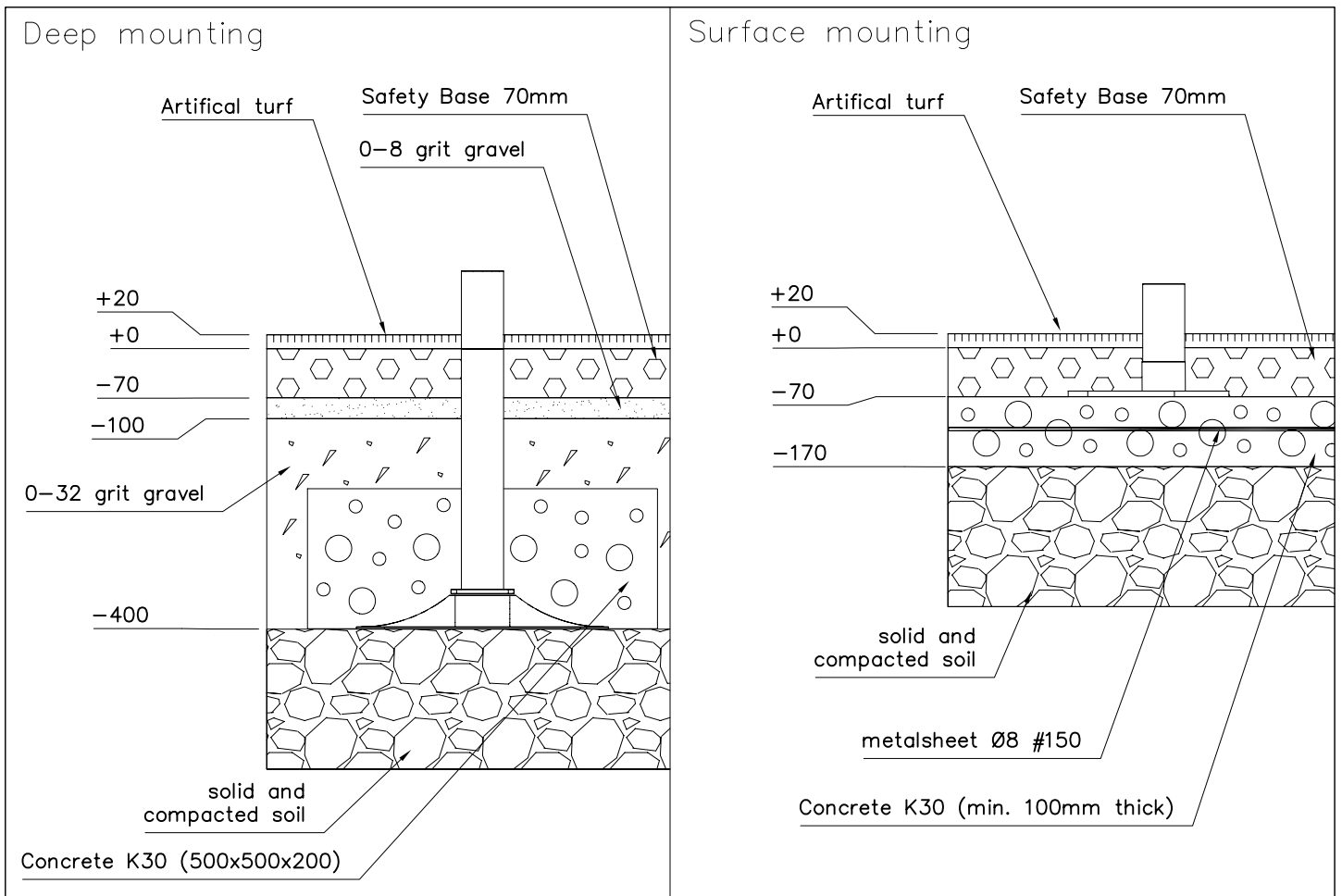
**Syväperustus**

1. Kaivetaan 400mm syvä kaivanto pinnan korosta. Jotkin välineet tarvitsevat syvämmän kaivannon (katso tuotteiden asennusohjeet).  
Huom! Kantava ja suora perustusten pohja.
2. Asennetaan välineet.
3. Valetaan betonit. Jotkin välineet voivat vaatia isomman valun, katso yksittäisten tuotteiden asennusohjeet.
4. Täytetään 0-32 oikeaan korkoon.
5. Tiivistetään täyttö.
6. Täytetään kivituhkalla (0-8) n.30mm kerros jonka jälkeen tasoitetaan ja tiivistetään hyvin.(+/-10mm/4m oikolauta)
7. Tämän jälkeen asennetaan nurmi (katso asennusohje).

**Pintaperustus**

1. Kaivetaan 170mm syvä kaivanto pinnan korosta.  
Huom! Kantava ja suora perustusten pohja.
2. Valetaan betonilaatta (min. 100mm paksu). Koko riippuu kentän koosta (S,M,L).
3. Asennetaan välineet.
4. Asennetaan joustopalat ohjeen mukaisesti (katso asennusohje).
5. Tämän jälkeen asennetaan nurmi (katso asennusohje).

DATE: 18.8.2011



**Deep mounting**

1. Start by digging 400 mm deep excavation. Some equipment may need more depth, see assembly instructions for individual equipment.
2. Assemble the equipment according to assembly instructions.
3. Make concrete blocks. Some equipment may need bigger block, see assembly instructions.
4. Fill with 0–32 grit to correct level.
5. Compact the layer.
6. Spread 30 mm thick layer using grit 0–8 gravel. Compact and level it thoroughly. (+/-10mm/4m)
7. Assemble the safety base according to assembly instructions.
8. Assemble the turf according to assembly instructions.


NOTE: Also the soil below the starting level (-400) needs to be solid and compact.

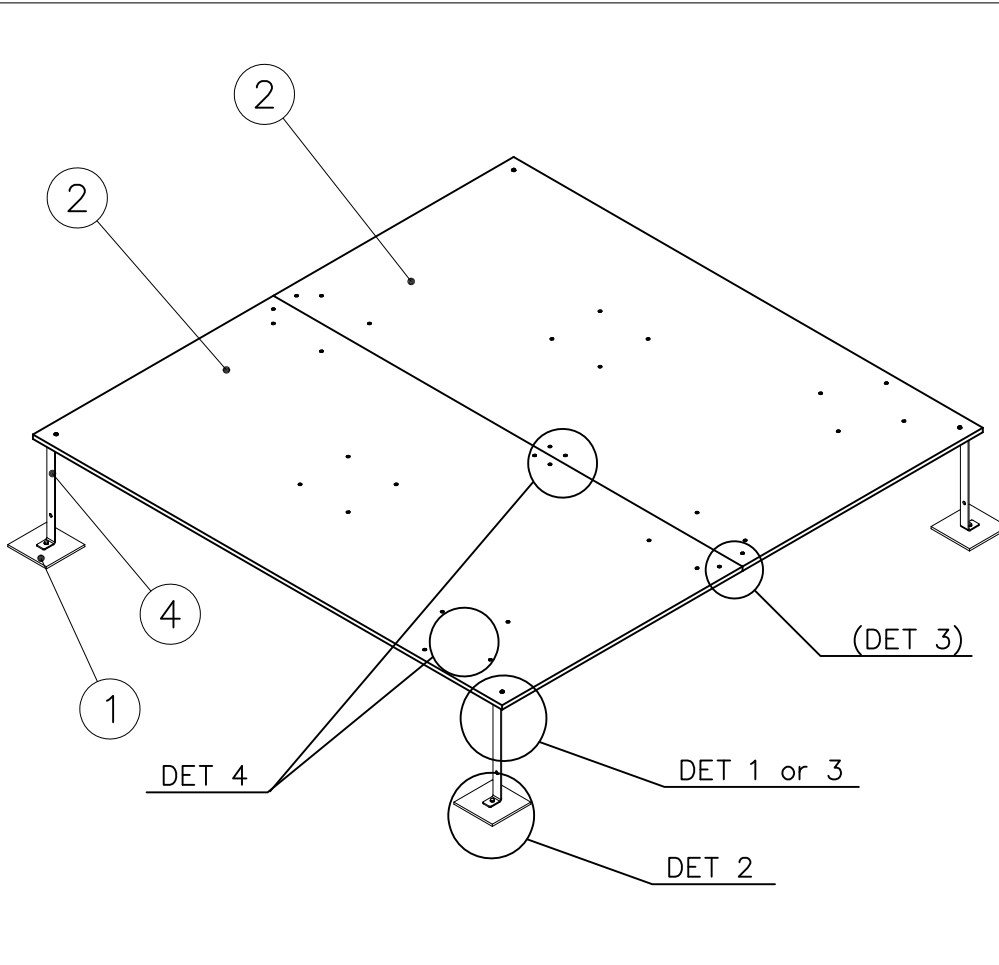
**Surface mounting**

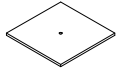
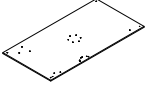
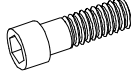

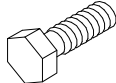



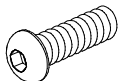
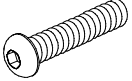
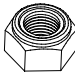


1. Start by digging 170 mm deep excavation.
2. Make concrete plate, see illustration (min. 100mm thick). Size depends on the size of the Parkour field (S,M,L).
3. Assemble the equipment according to assembly instructions.
4. Assemble the safety base according to assembly instructions.
5. Assemble the turf according to assembly instructions.

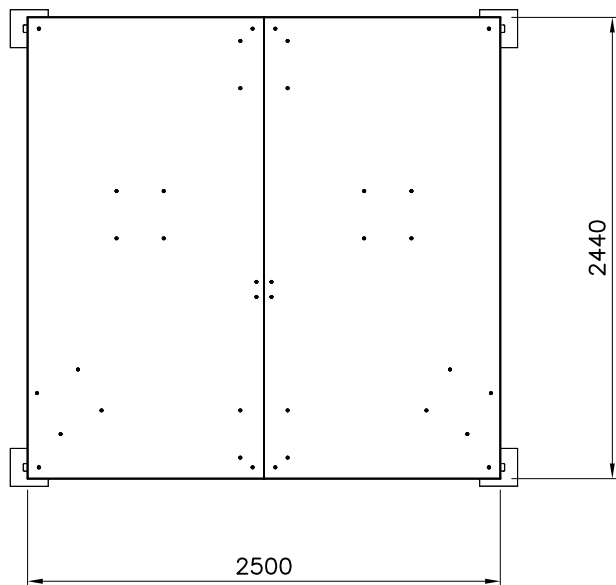


1x frame mod. 600  
 2x anchors  
 1x screw sachet no. 6

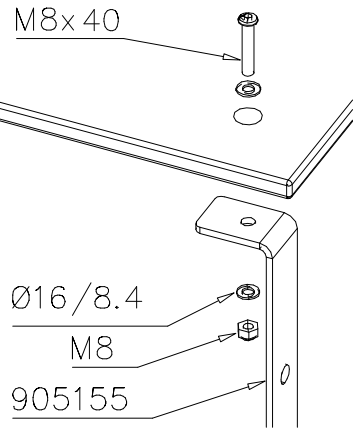
CUSTOMER		DRAWING N°	
PROJECT		Parts list - bench 600	
SCALE	DATE	NAME	
	02.02.2012	Untergasser S.	
<p>© copyright by</p> <p><b>euroform</b> ORIGINAL </p> <p>euroform K. Winkler s.r.l.        I-39032 Campo Tures (BZ)        T +39 0474 061120 F +39 0474 061121        mail: info@euroform-w.it        web: www.euroform-w.com</p>			



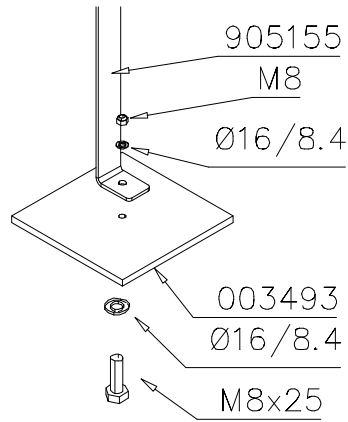
① 003493	PCS	② 701228	PCS
	4		2
200-250		2440x1250	
③ 901137	PCS	④ 905155	PCS
	8		4
M10x35		560x40x5	
⑤ 906501	PCS	⑥ 909256	PCS
	4		4
M8x25		Ø16/8.4 A2	
⑦ 909545	PCS	⑧ 909635	PCS
	8		24
M10x40		Ø15/8,4	
⑨ 909850	PCS	⑩ 909873	PCS
	24		4
M8x25		M8x40	
⑪ 980160	PCS	⑫ 980150	PCS
	4		4
M8 A2		M8	
⑬ 980151	PCS		PCS
	12		
Ø16/8.4			
	PCS		PCS



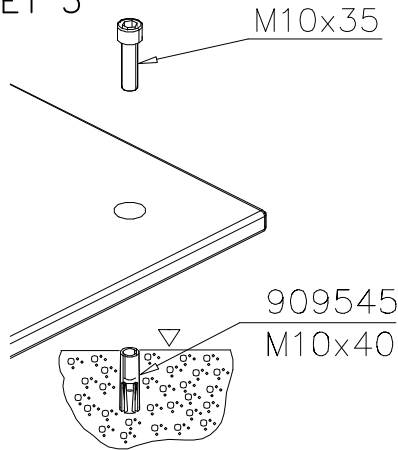
DET 1



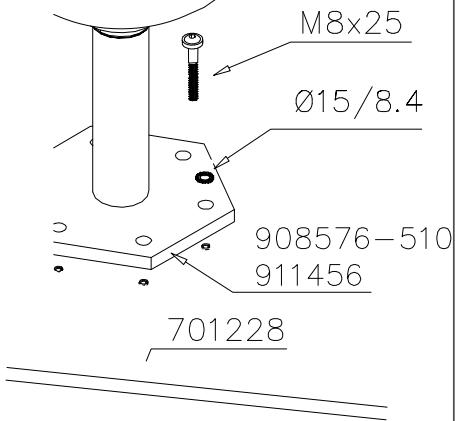
DET 2



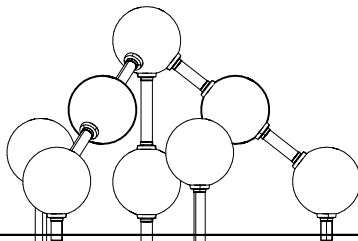
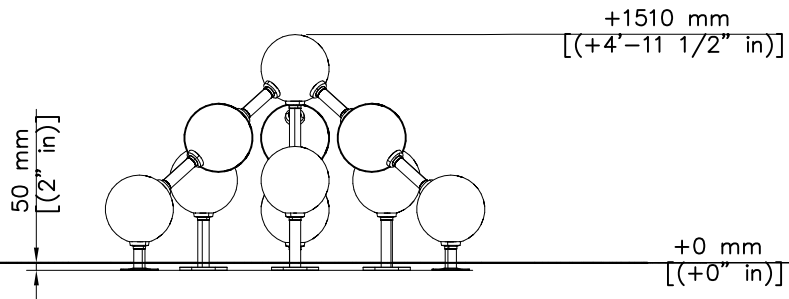
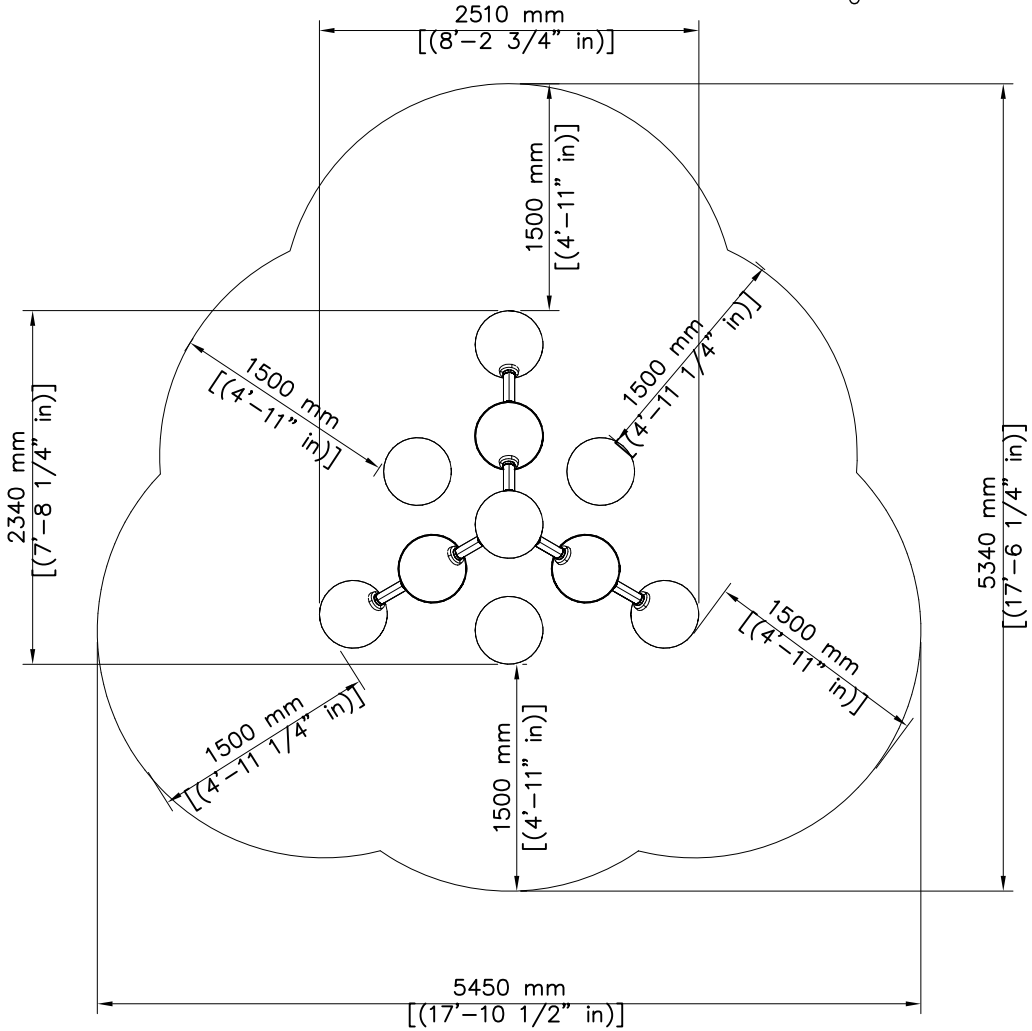
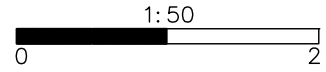
DET 3



DET 4



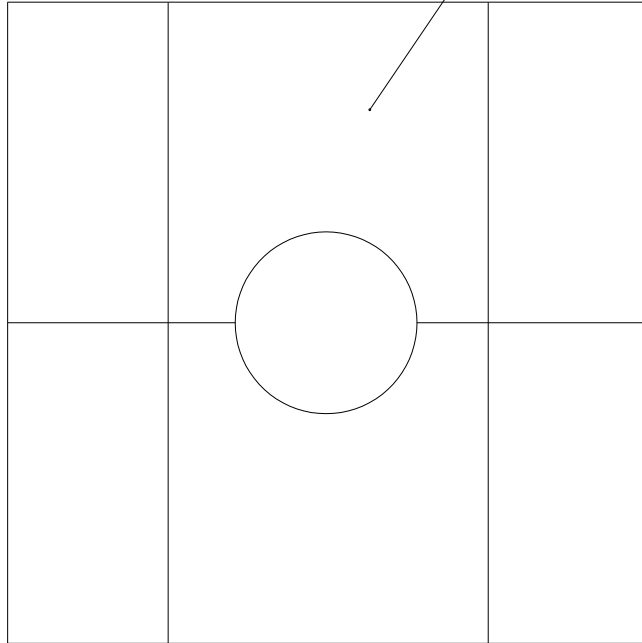
AS Impact Area 21.3 m<sup>2</sup> (229 sq ft)  
 Max falling height 2005 mm. (6'-7 1/4" in)



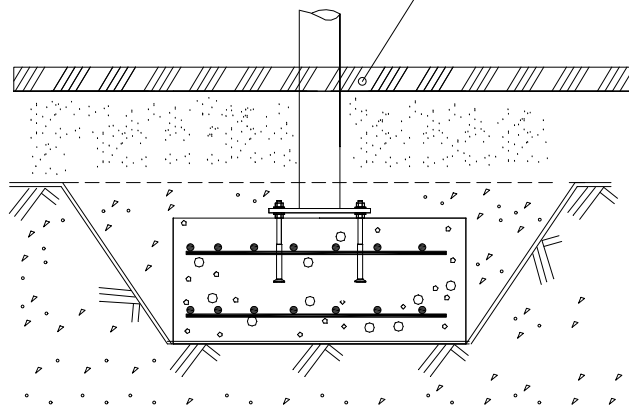
												
<p><b><math>h &lt; 600</math></b></p> <p>Without movement and therefore without Impact Area</p>	<p>Totally hard surfaces.</p> <p>Note. Lappset does <u>not recommend</u> totally hard surfaces at all.</p>	<p>E.g. concrete or asphalt</p> 										
<p><b><math>h &lt; 600</math></b></p> <p>With movement e.g. rocking</p>	<p>Materials with very limited impact attenuating properties.</p>	<p>E.g. wood</p> 										
<p><b><math>h &lt; 1000</math></b></p>	<p>Materials with significant impact attenuating properties.</p>	<p>fine gravel 0–8 mm</p>  <p>grass</p>  <p>unsorted sand</p> 										
<p><b><math>h &lt; 3000</math></b></p>	<p>Loose fill material</p> <p>E.g. sand/gravel 0,25...8 mm D60/D10&lt;3,0 Woodchips 5...30 mm bark 20...80 mm</p>	 <table data-bbox="1021 1691 1332 1792"> <tr> <td><math>\underline{S}</math></td> <td><math>\underline{h}</math></td> </tr> <tr> <td>30 cm</td> <td>&lt; 2,0 m</td> </tr> <tr> <td>40 cm</td> <td>&lt; 3,0 m</td> </tr> </table>	$\underline{S}$	$\underline{h}$	30 cm	< 2,0 m	40 cm	< 3,0 m				
$\underline{S}$	$\underline{h}$											
30 cm	< 2,0 m											
40 cm	< 3,0 m											
	<p>Syntethic granulates</p> <table data-bbox="406 1892 758 2060"> <tr> <td><math>\underline{S}</math></td> <td><math>\underline{h}</math></td> </tr> <tr> <td>40 mm</td> <td>~&gt; 1,2...1,3 m</td> </tr> <tr> <td>50 mm</td> <td>~&gt; 1,5...1,7 m</td> </tr> <tr> <td>60 mm</td> <td>~&gt; 1,8...2,0 m</td> </tr> <tr> <td>70 mm</td> <td>~&gt; 2,1...2,5 m</td> </tr> </table> <p>Note. For accurate values, see manufacturer's instructions.</p>	$\underline{S}$	$\underline{h}$	40 mm	~> 1,2...1,3 m	50 mm	~> 1,5...1,7 m	60 mm	~> 1,8...2,0 m	70 mm	~> 2,1...2,5 m	
$\underline{S}$	$\underline{h}$											
40 mm	~> 1,2...1,3 m											
50 mm	~> 1,5...1,7 m											
60 mm	~> 1,8...2,0 m											
70 mm	~> 2,1...2,5 m											

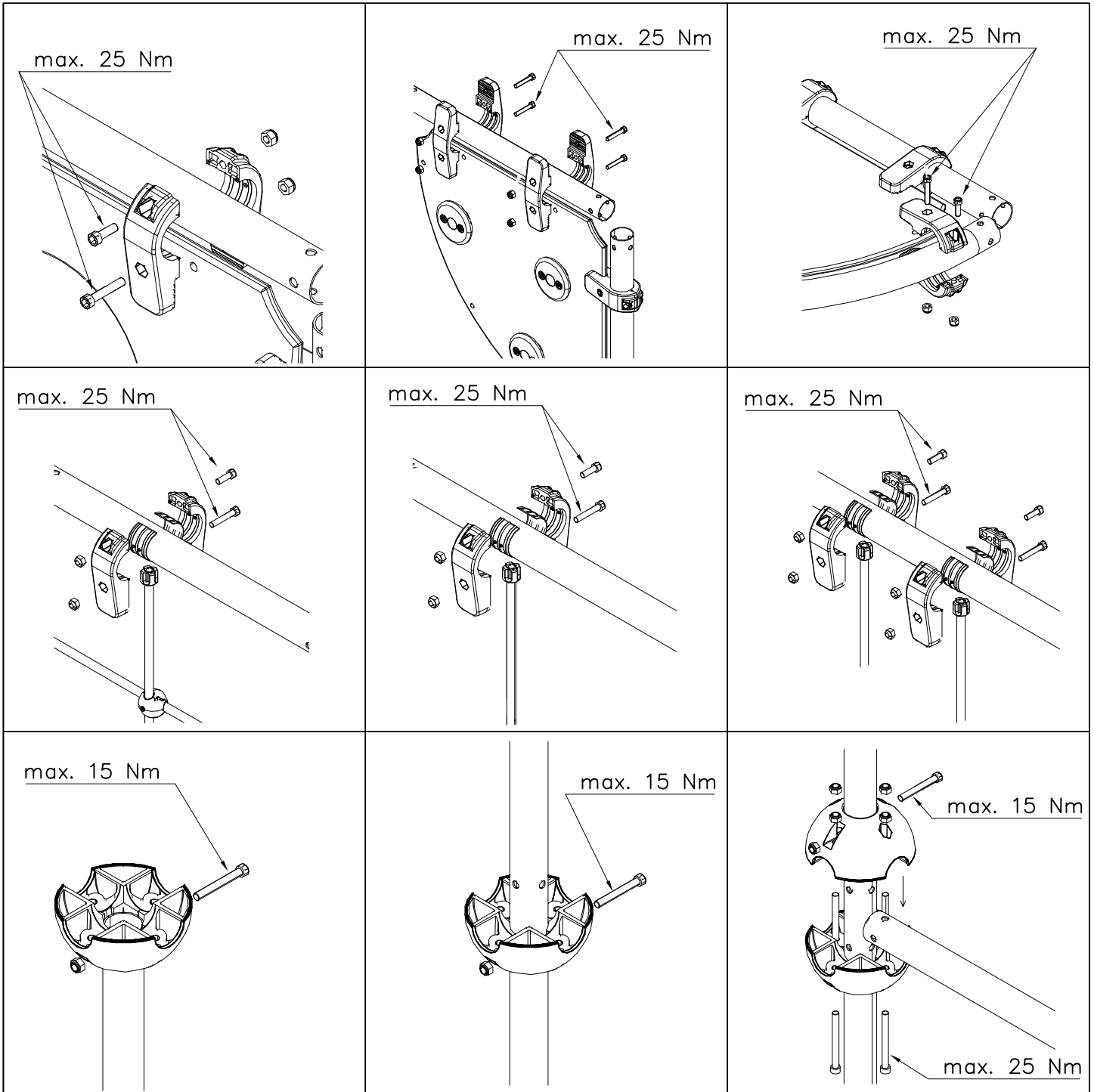


REMOVE SAFETY SURFACE/SAND/GRAVEL  
TO CHECK FOUNDATION



REMOVE SAFETY SURFACE/SAND/GRAVEL  
TO CHECK FOUNDATION

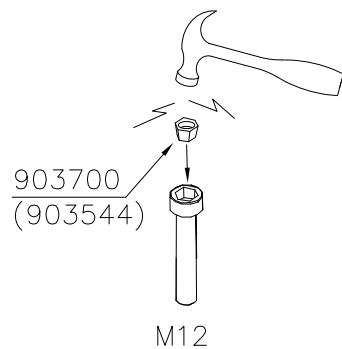
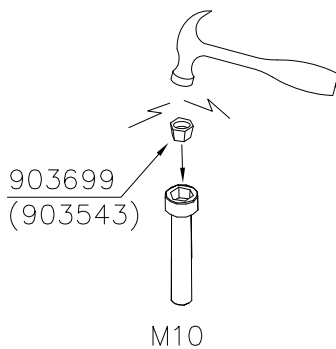


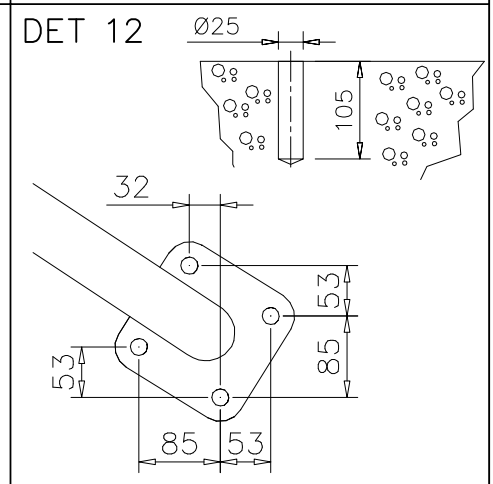
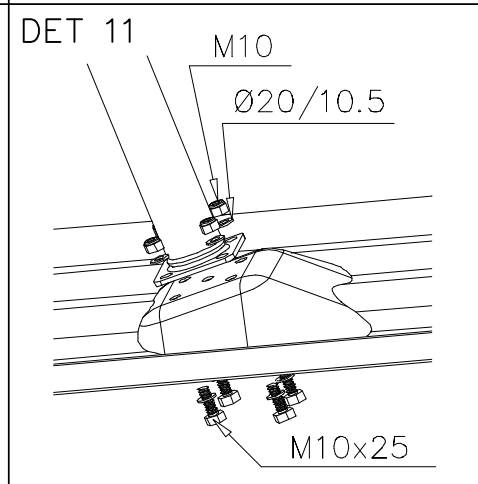
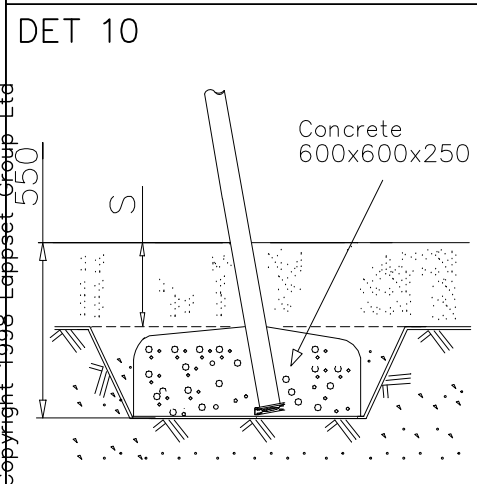
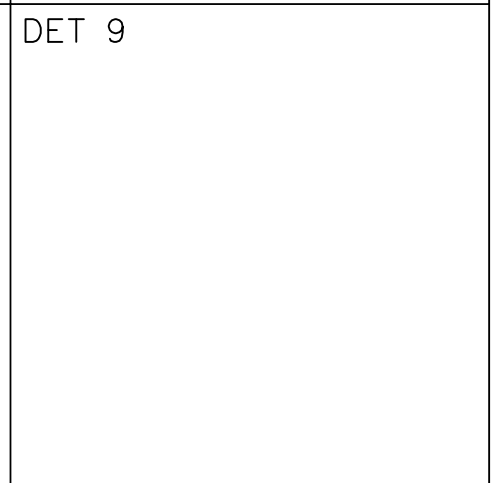
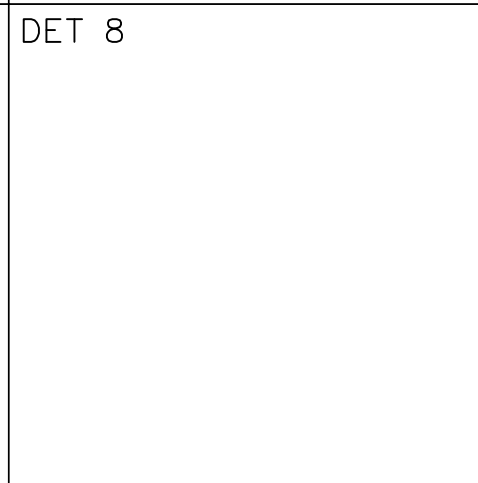
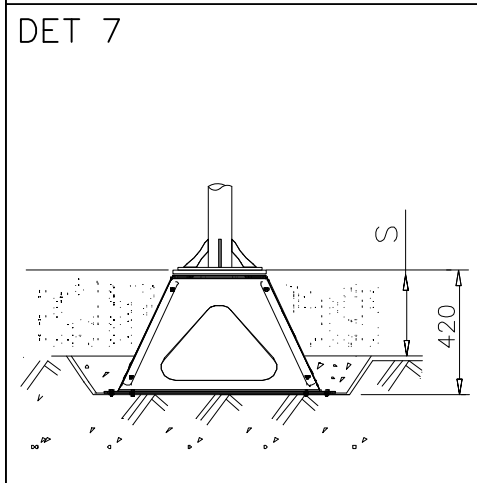
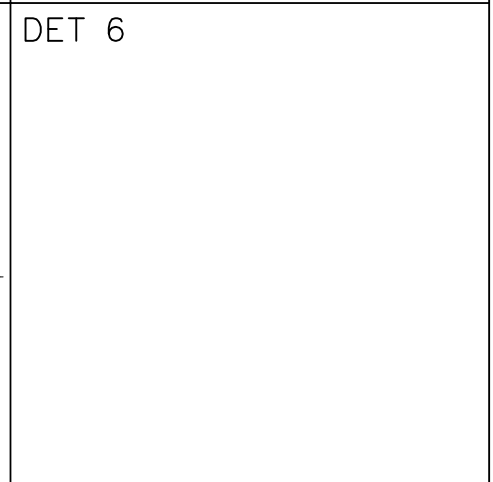
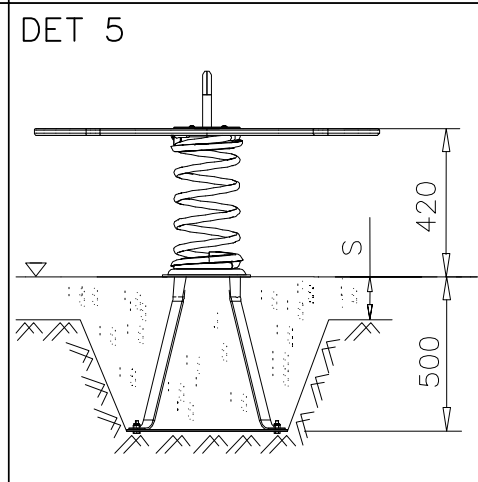
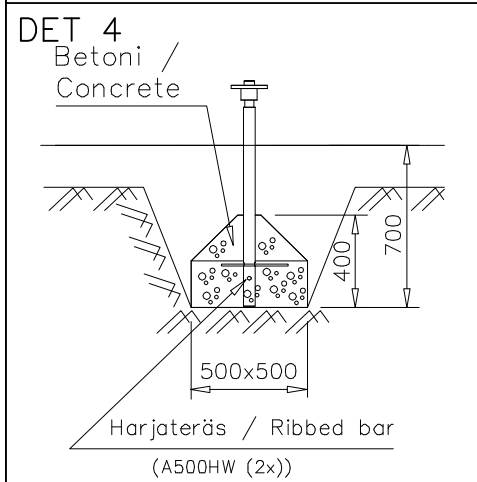
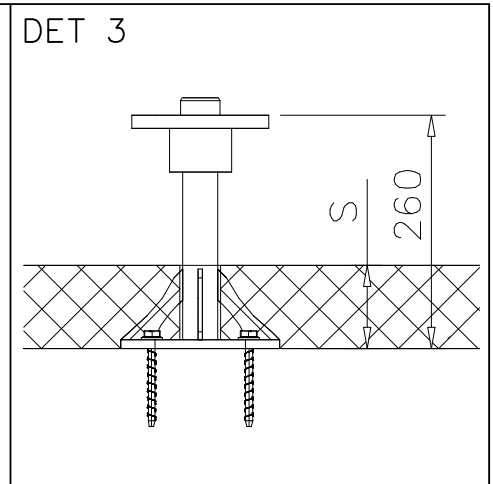
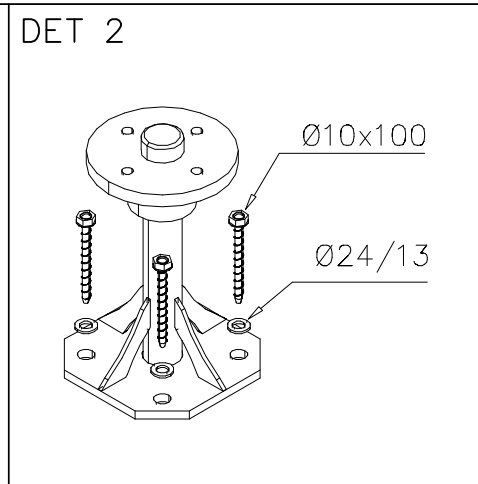
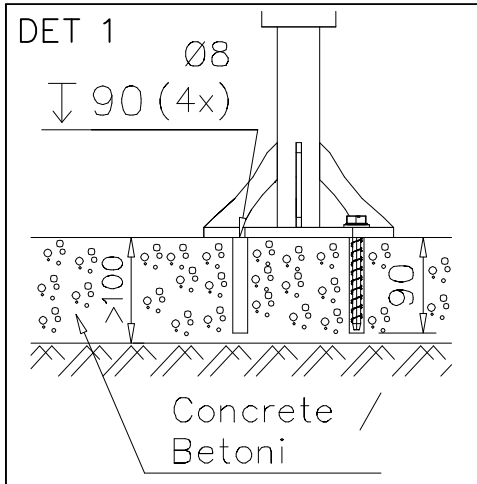


Security plugs are included only for selected products.

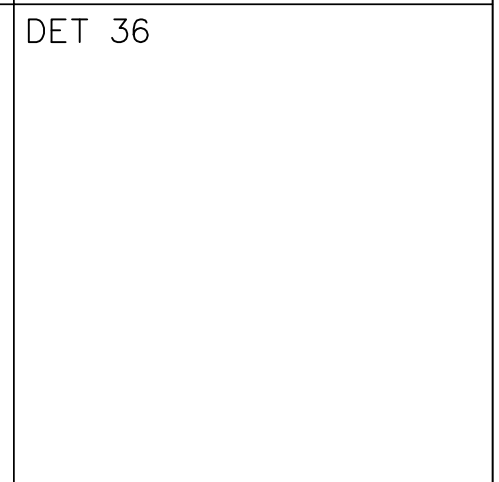
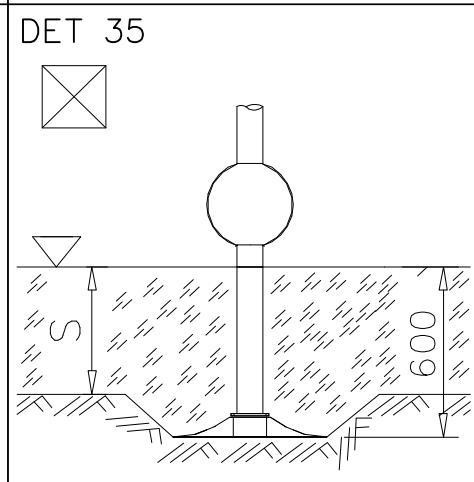
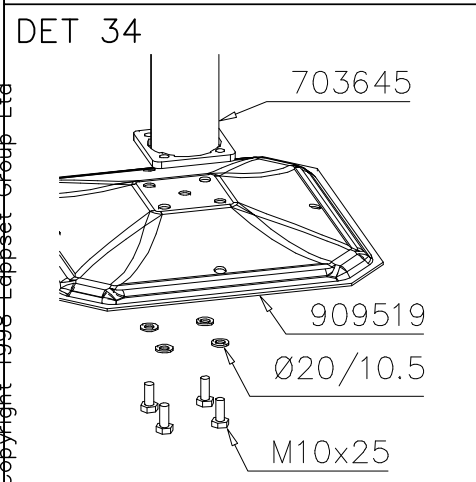
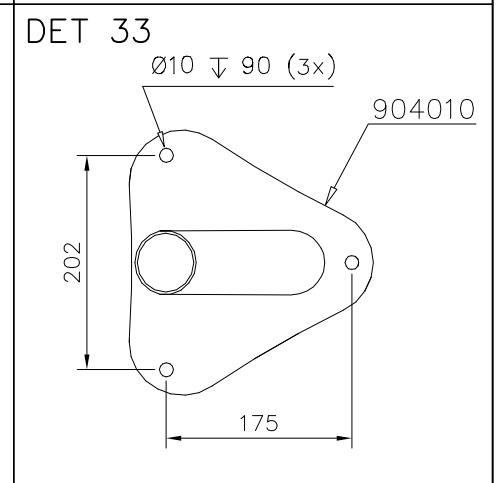
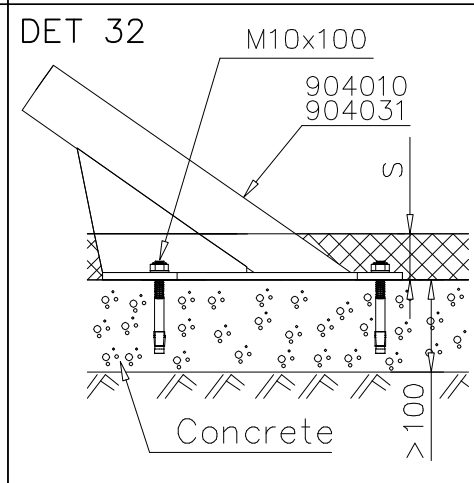
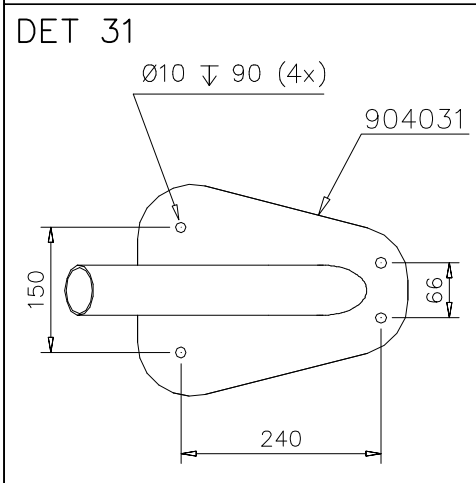
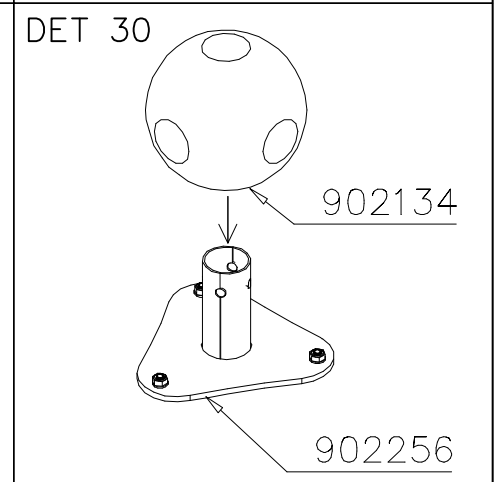
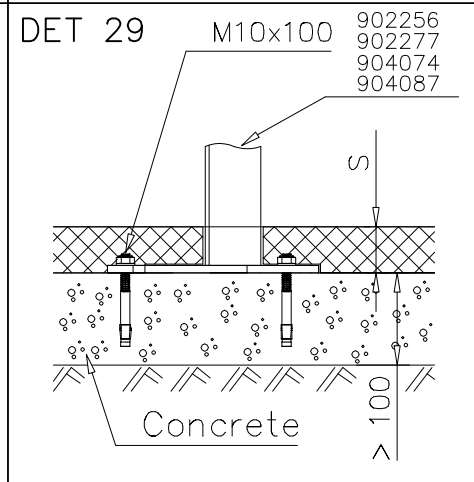
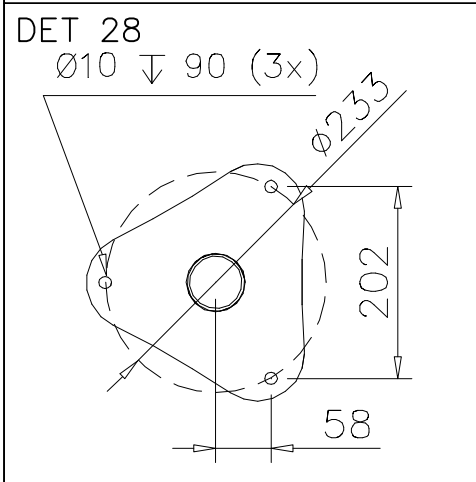
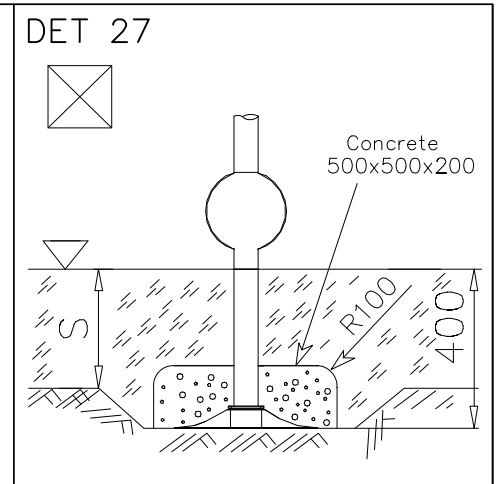
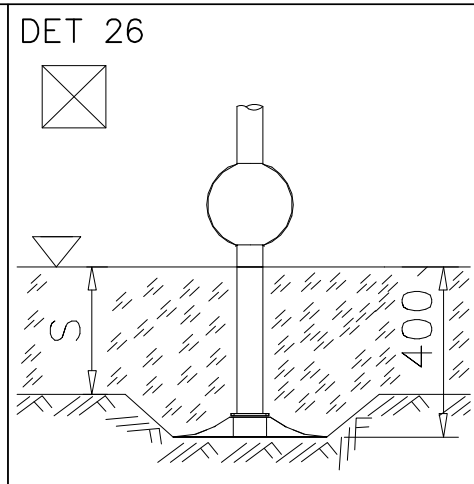
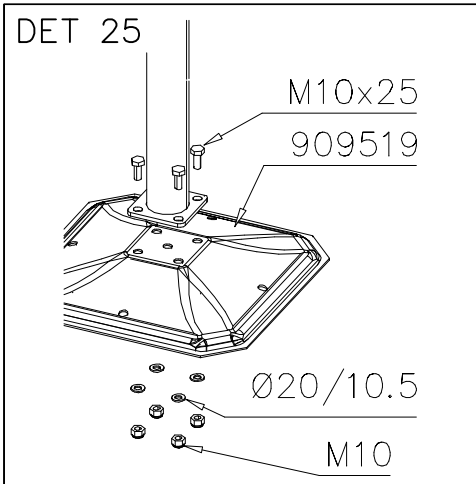
Hox!  
Pultit on kiristettävä lopulliseen kireyteen, ennen turvapinnien asennusta.

Note!  
Tighten bolts properly, before installing security plugs.





<p>DET 13</p> <p>140 Nm</p> <p>M16x110 Ø30/17x3</p>	<p>DET 14</p> <p>M12x35</p> <p>Ø24/13</p> <p>M12</p>	<p>DET 15</p> <p>Concrete 500x500x200</p> <p>600</p> <p>Harjateräs / Ribbed bar (A500HW (2x))</p>
<p>DET 16</p> <p>M12x60</p> <p>Ø24/13</p> <p>M12</p>	<p>DET 17</p> <p>M12x35</p> <p>Ø24/13</p> <p>M12</p>	<p>DET 18</p> <p>Concrete 500x500x200</p> <p>600</p> <p>Harjateräs / Ribbed bar (A500HW (2x))</p>
<p>DET 19</p> <p>ATT! Drilling can be done via hole in rotating flange.</p> <p>Ø8 ↓ 80 (4x)</p> <p>Concrete / Betoni</p> <p>&gt;100</p>	<p>DET 20</p> <p>Ø10x100</p> <p>Ø24/13</p>	<p>DET 21</p> <p>110</p> <p>S</p>
<p>DET 22</p> <p>M8</p> <p>Ø16/8.4</p> <p>M8x40</p>	<p>DET 23</p> <p>Ø10 ↓ 90 (4x)</p> <p>&gt;100</p> <p>S</p> <p>Betoni / Concrete</p> <p>Safety surface</p>	<p>DET 24</p> <p>M10</p> <p>M10x100</p>



## PRODUCT SPECIFIC INSTALLATION FOR GIBBONSWING (220513 AND 220513) MID-CONNECTORS

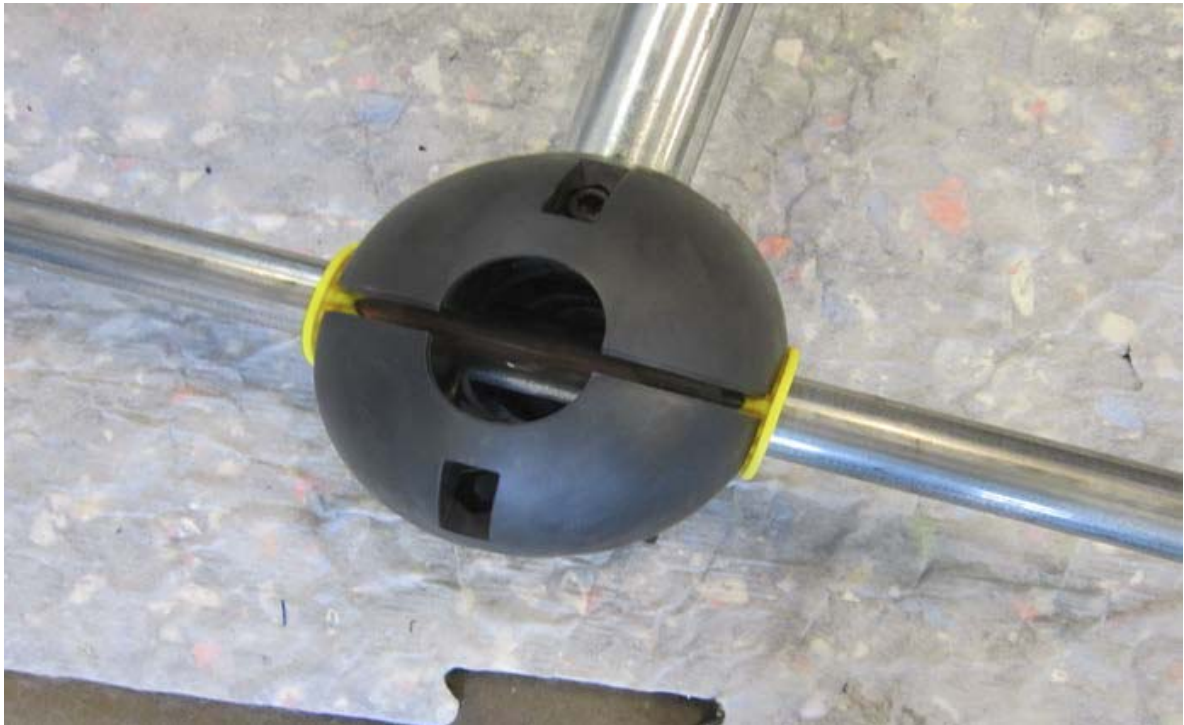
1. Slide the bushings to tube as shown in picture below



2. Lay the tube with bushings on bottom half of spherical connector. Minimize the gap between bushing sleeve and spherical connector.



3. Lay the top half on the bottom half and tighten both M10 bolts in turns. The bushings may slide out 1...2mm but not more.



4. The third tube (middle arch) will be installed on another of the “closed holes” i.e. the holes which cannot be splitted. This installation can take place even after the halves are fully tightened.



DET A

$\text{Ø}24/13$  (980154)  
 M12x30 (903149)  
 M12 (909644)  
 80Nm (M12)  
 M10 (900965)  
 45Nm (M10)  
 $\text{Ø}20/10.5$  (909638)  
 M10x25 (909639)

- M12x30 2 pcs
- $\text{Ø}24/13$  4 pcs
- M12 2 pcs
- M10x25 2 pcs
- $\text{Ø}20/10.5$  4 pcs
- M10 2 pcs
- 905991 1 pcs

DET A

999561  
 GLUE  
 $\text{Ø}24/13$  (980154)  
 905115  
 12x35 (909347)  
 905090

- M12x35 6 pcs
- $\text{Ø}24/13$  6 pcs
- $\text{Ø}45$  6 pcs
- $\text{Ø}30$  6 pcs
- GLUE

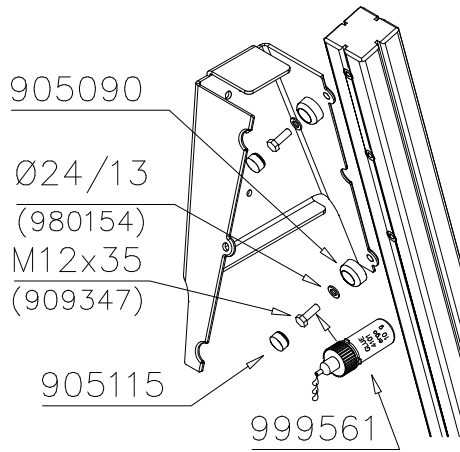
DET B

$\text{Ø}24/13$  (980154)  
 M12x30 (903149)  
 M12 (909644)  
 80Nm  
 M10 (900965)  
 45Nm  
 $\text{Ø}20/10.5$  (909638)  
 M10x25 (909639)

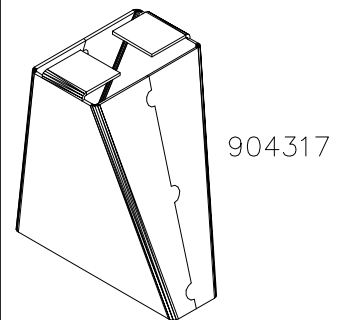
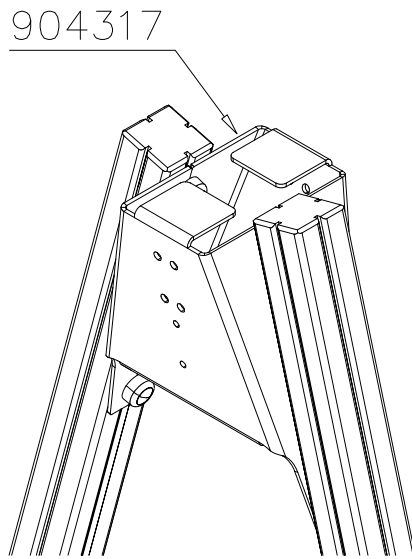
- M12x30 2 pcs
- $\text{Ø}24/13$  4 pcs
- M12 2 pcs
- M10x25 2 pcs
- $\text{Ø}20/10.5$  4 pcs
- M10 2 pcs



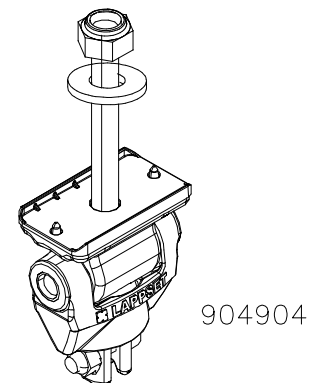
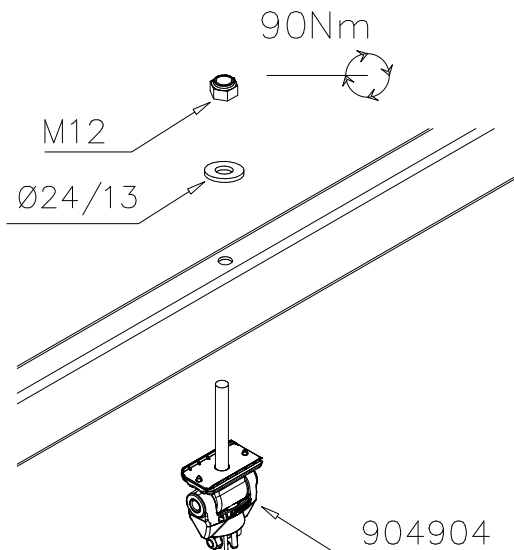
DET B



DET B



DET C



DET D

90Nm

M12x110 (906499)

Ø24/13 (980154)

901958

M8x35

Ø24/13 (980154)

M12 (902234)

M8

CUT EXTRA CHAIN

M12x110 2 pcs

Ø24/13 4 pcs

M12 2 pcs

901958 1 pcs

DET D

903577

903577 1 pcs

DET E

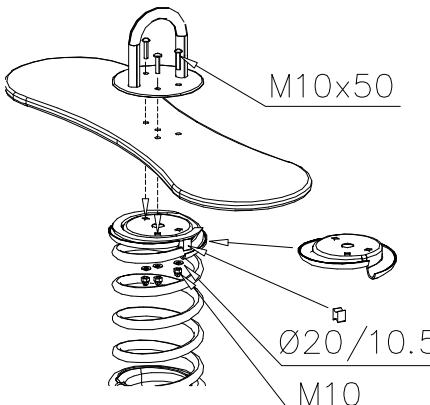
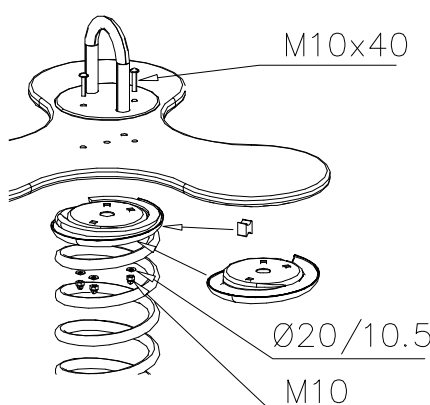
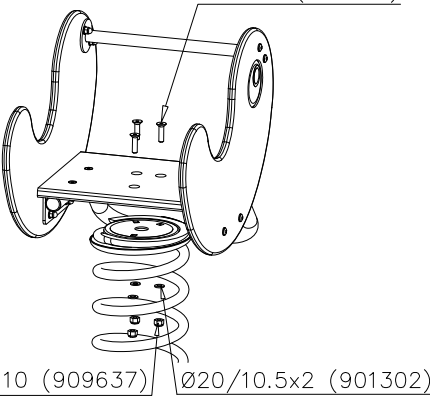
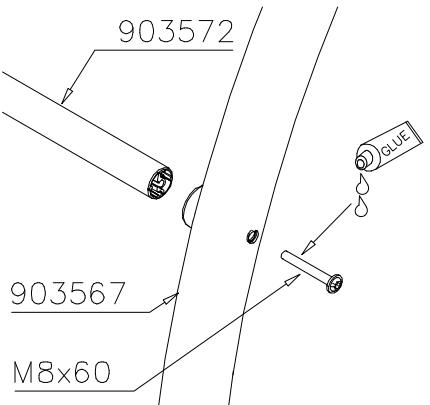
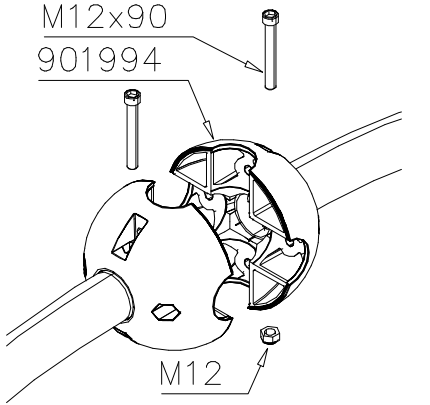
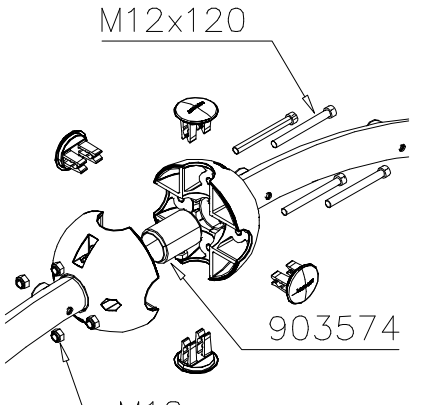
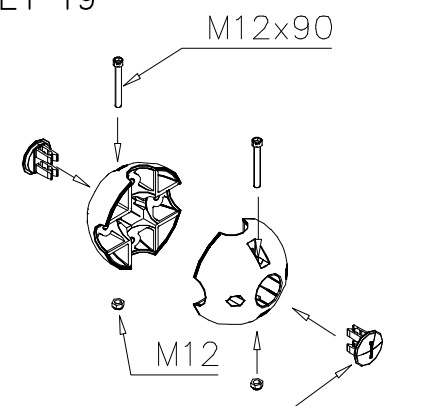
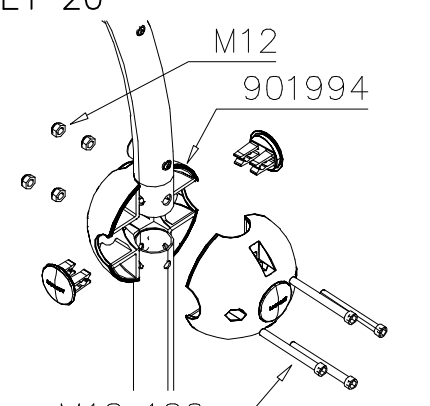
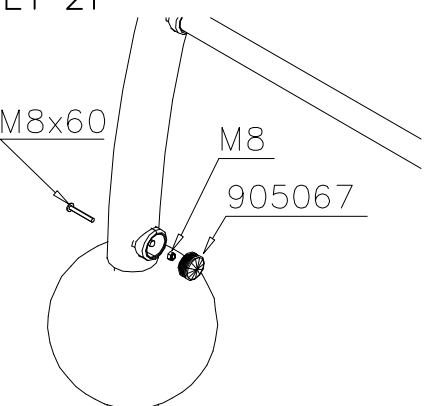
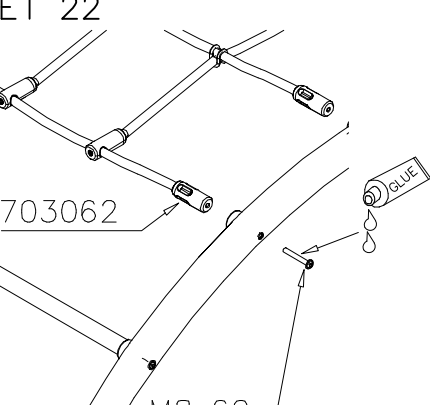
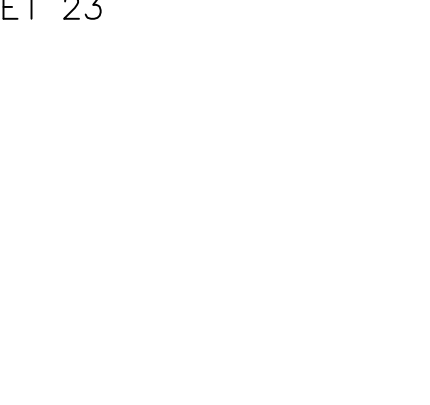
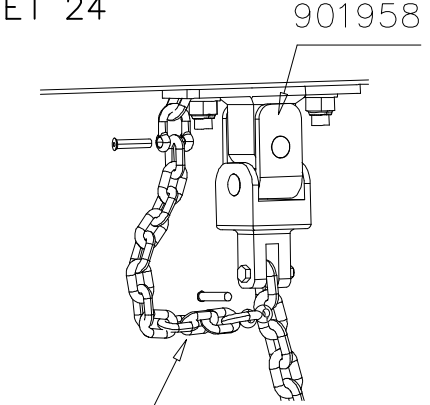
6x60 980131

980131 4 pcs

905138 1 pcs

905196 1 pcs

<p>DET 1</p> <p>M8x50</p> <p>702845</p> <p>M8</p>	<p>DET 2</p> <p>M8x60 902625</p> <p>702845</p> <p>M8</p>	<p>DET 3</p>
<p>DET 4</p> <p>CUT EXTRA CHAIN</p>	<p>DET 5</p> <p>90Nm</p> <p>M12x110</p> <p>Ø24/13</p> <p>901958</p> <p>M8x35</p> <p>Ø24/13</p> <p>M12 NYLOC</p> <p>M8</p> <p>CUT EXTRA CHAIN</p>	<p>DET 6</p> <p>M12x120</p> <p>Ø24/12</p> <p>904801</p> <p>907621</p> <p>901958</p> <p>M8x35</p> <p>Ø24/13</p> <p>M12 NYLOC</p> <p>M8</p> <p>CUT EXTRA CHAIN</p>
<p>DET 7</p> <p>M12x40</p> <p>M12</p> <p>902012</p>	<p>DET 8</p> <p>NOTE: Aluminum thread fasten carefully.</p> <p>903388</p> <p>M8x30</p>	<p>DET 9</p> <p>NOTE: Aluminum thread fasten carefully.</p> <p>702850</p> <p>M8x30</p> <p>903388</p>
<p>DET 10</p> <p>902623</p> <p>M8</p> <p>Ø16/8.4</p> <p>Ø16/8.4</p> <p>M8x30</p>	<p>DET 11</p> <p>M8x30</p> <p>Ø16/8.4</p> <p>M8</p>	<p>DET 12</p> <p>902624</p>

<p>DET 13</p>  <p>M10x50</p> <p>Ø20/10.5</p> <p>M10</p>	<p>DET 14</p>  <p>M10x40</p> <p>Ø20/10.5</p> <p>M10</p>	<p>DET 15</p>  <p>M10x40 (901487)</p> <p>M10 (909637)</p> <p>Ø20/10.5x2 (901302)</p>
<p>DET 16</p>  <p>903572</p> <p>903567</p> <p>M8x60</p> <p>GLUE</p>	<p>DET 17</p>  <p>M12x90 901994</p> <p>M12</p>	<p>DET 18</p>  <p>M12x120</p> <p>903574</p> <p>M12</p>
<p>DET 19</p>  <p>M12x90</p> <p>M12</p> <p>902157</p>	<p>DET 20</p>  <p>M12</p> <p>901994</p> <p>M12x120</p>	<p>DET 21</p>  <p>M8x60</p> <p>M8</p> <p>905067</p>
<p>DET 22</p>  <p>703062</p> <p>M8x60</p> <p>GLUE</p>	<p>DET 23</p> 	<p>DET 24</p>  <p>901958</p> <p>903577</p>

<p>DET 25-26</p> <p>M12x120</p> <p>904100</p> <p>904015</p> <p>904102</p> <p>Kun putken pää osuu adapterin kynsiin, adapteri tiukentuu paikoilleen.</p>	<p>Asennusjärjestys:</p> <ol style="list-style-type: none"> <li>1) Pallo kiinni</li> <li>2) Adapteri sisään</li> <li>3) putki sisään ja lopuksi pallon lopullinen kiristys.</li> </ol> <p>Installation order:</p> <ol style="list-style-type: none"> <li>1) Close the ball</li> <li>2) Insert adapter</li> <li>3) Insert tube and tighten screws.</li> </ol>	<p>DET 27</p> <p>904103</p> <p>Ø18/10</p> <p>M10x80</p>
<p>DET 28</p> <p>906621</p> <p>M12x35 (909347)</p> <p>M12</p> <p>906620</p> <p>Ø24/13</p> <p>M12x30 (903149)</p> <p>M12 → 60 Nm</p>	<p>DET 29</p> <p>M10x50 (905140)</p> <p>Ø20/10.5x2 (901302)</p> <p>M10 (909637)</p>	<p>DET 30</p> <p>M10x35 (902252)</p> <p>19x21x25 (903193)</p> <p>Ø20/10.5x2 (901302)</p> <p>M10 (909637)</p>
<p>DET 31</p> <p>M12x30</p> <p>Ø24/13</p> <p>M12</p> <p>904422</p> <p>M10 → 45 Nm</p>	<p>DET 32</p> <p>M12x100</p> <p>Ø24/13</p> <p>M12</p> <p>904422</p> <p>M12 → 60 Nm</p>	<p>DET 33</p> <p>M12</p> <p>904801</p> <p>904428</p> <p>904430</p> <p>904904</p>
<p>DET 34</p> <p>904800</p> <p>M12x110</p>	<p>DET 35</p> <p>M12x110</p>	<p>DET 36</p> <p>M12x110</p>