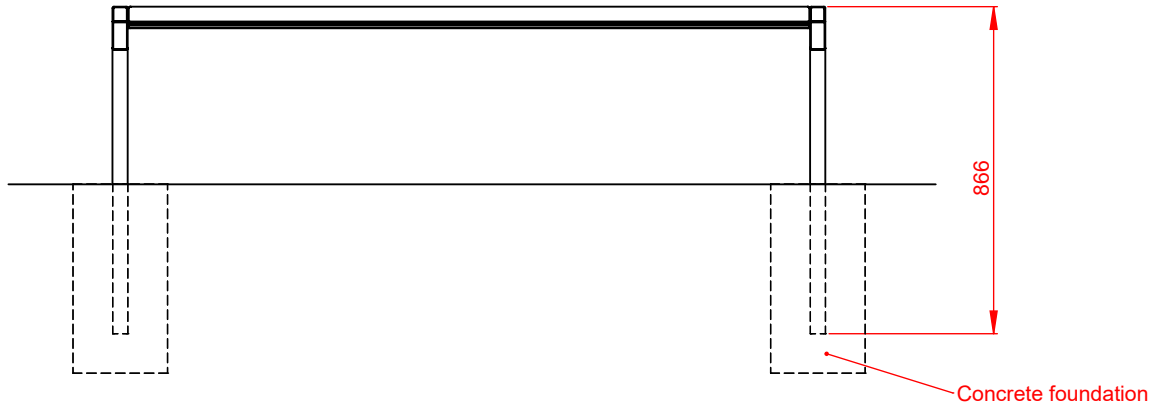
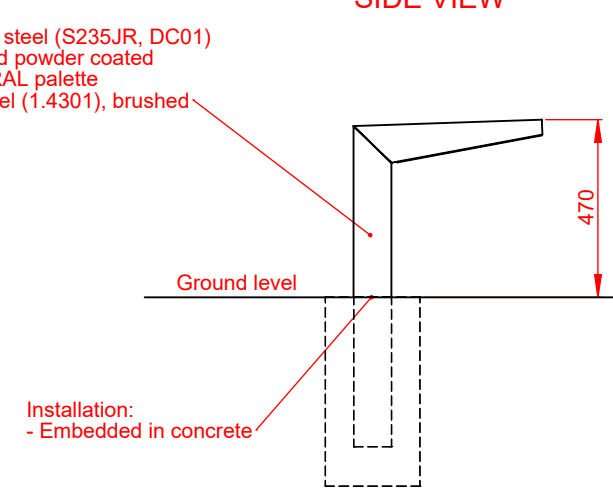


FRONT VIEW

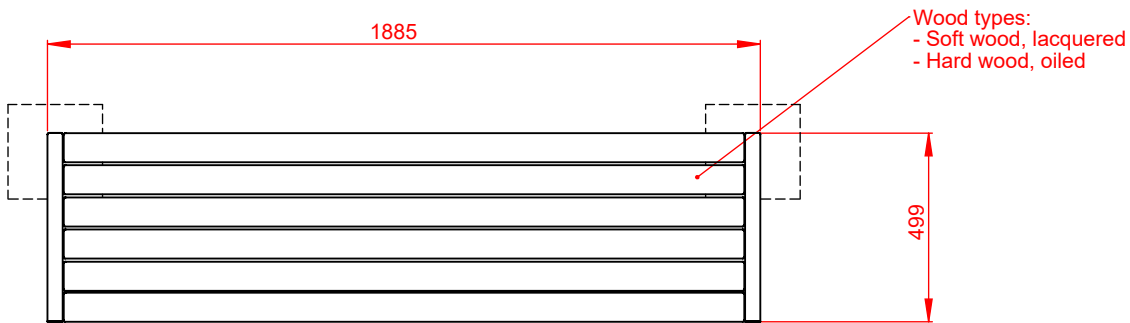


SIDE VIEW

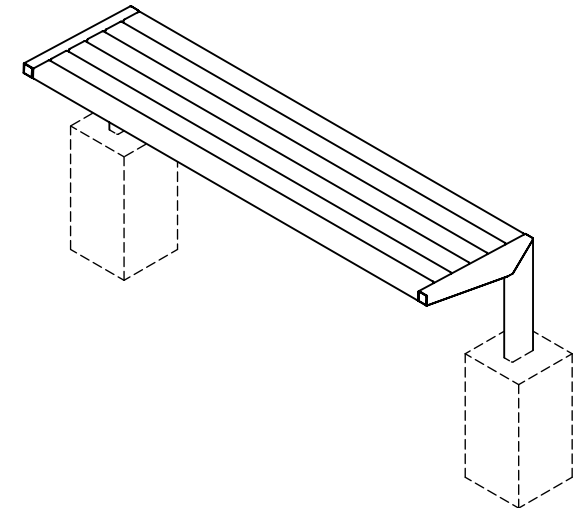


Steel types:
 - Construction steel (S235JR, DC01)
 galvanized and powder coated
 according to RAL palette
 - Stainless steel (1.4301), brushed

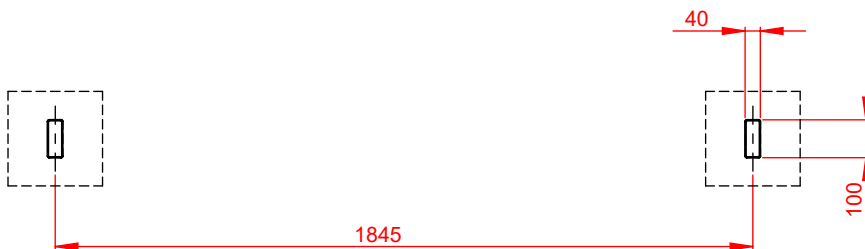
TOP VIEW





ISOMETRIC VIEW (SCALE 1:25)



MOUNTING HOLES SPACING



Dimensions given in [mm]

Project and drawing content is intellectual property of ZANO Street Architecture company. The author of the project reserves all rights in accordance with the Directives (EU): 2019/790 of the European Parliament and of the Council of 17 April 2019 on copyright and related rights in the Digital Single Market, Directive 96/9/EC and 2001/29/EC. All rights reserved.		 ul.Lindego 7a, 30-148 Kraków	
Bench		Number: 030418-v1	
Amicus 02.433		Sheet: A4	
		Scale: 1:20	
		Mass: with soft wood	27 kg
		with hard wood	40 kg