

Mounting instructions for multiplay equipment „gravis 1B“

Item-No. 51 5519 402



Diagram 1: Overall view of play equipment with description of individual elements

Mounting instructions for multiplay equipment „gravis 1B“

Item-No. 51 5519 402

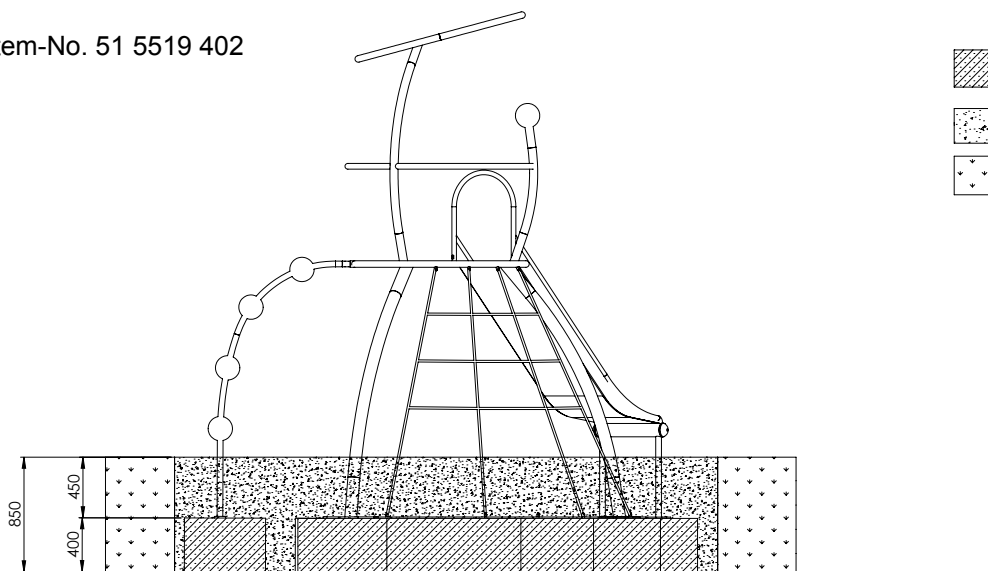


Diagram 3a: Rear view with dimension details

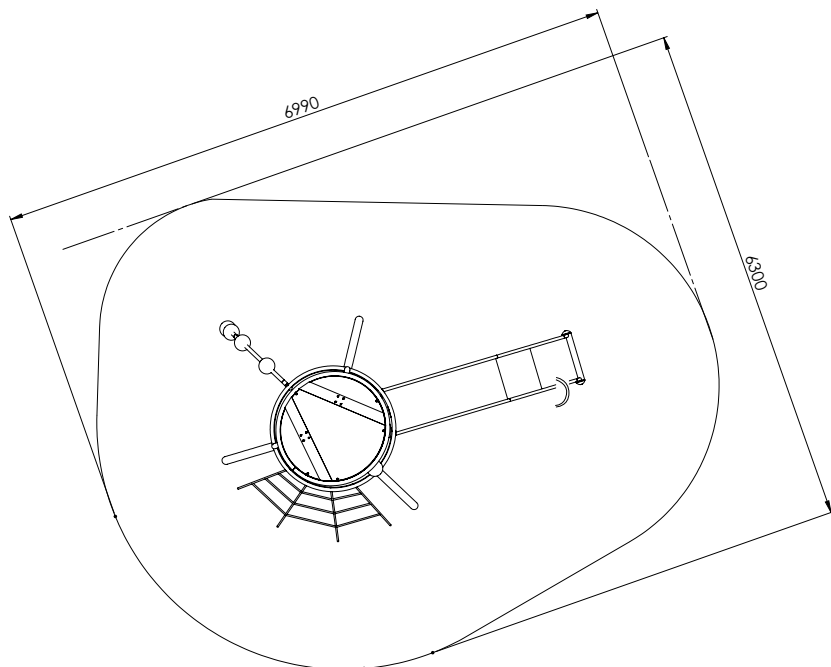


Diagram 3: safety zone

1. Select the play equipment location in consideration of the required safety area (see Diagram 3: 6990 x 6300mm).
2. Carry out excavation work for foundations as shown in Diagram 2a, 2b and 2c. After excavation, compress the foundation floor.
Note: Cover the foundation holes with the safety cover required for the height of fall indicated. The combination equipment is built in on the play level. Pay attention to items marked „game level“ of play equipment!
3. Set up the main foundation (like a C, see diagram 2b and 2c), the foundation for the slide (LxBxH 800 x 600 x 500mm) and the two foundations (LxBxH 600 x 600 x 400mm) acc. to the dimensions indicated in diagram 2a, 2b and 2c in the quality class C 20/25.

Reinforcement plan:

Concrete foundation with reinforcement

Main foundation: BSt 500S

Ever 4 stirrups \varnothing 8 mm lengthwise and cross

Concrete cover $h' = 3$ cm

Concrete quality class C 20/25

Foundations for attachment parts are no-reinforced

4. After a setting period of 10-14 days, depending on weather conditions and foundation size - clean the surface of the foundations and start with the installation of the combination equipment.

Mounting instructions for multiplay equipment „gravis 1B“

Foundation plan

Item-No. 51 5519 402

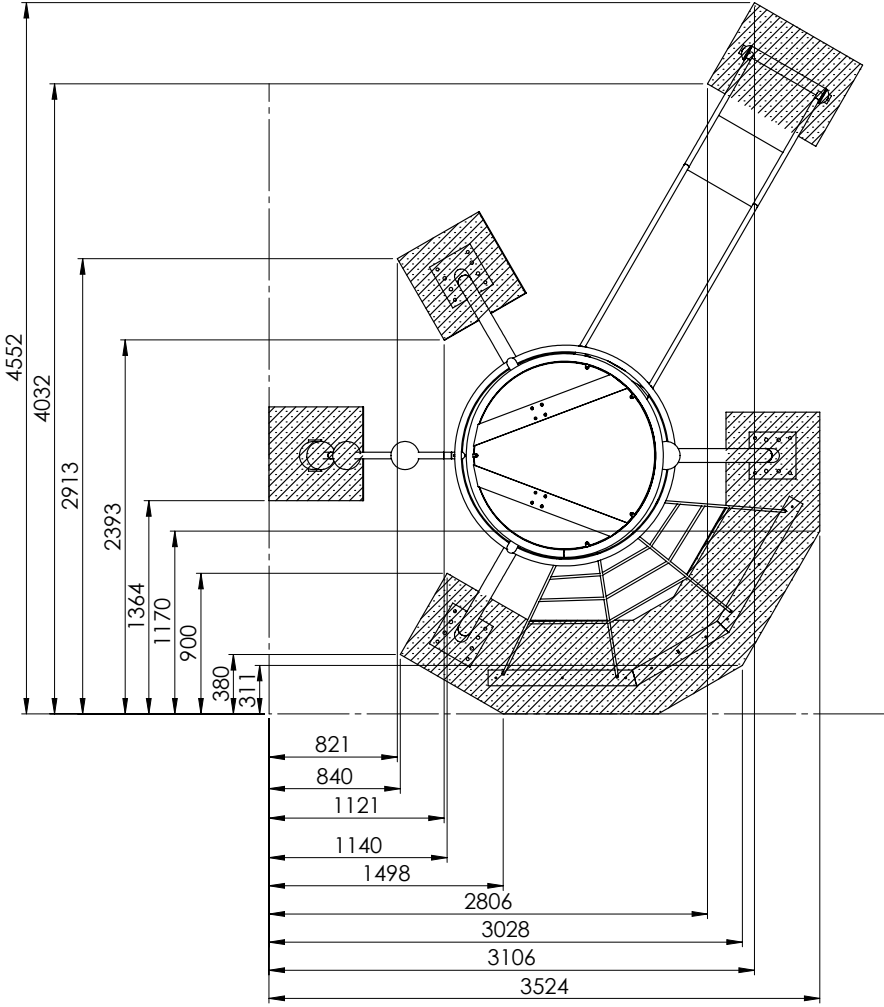


Diagram 2b: top view with position of the foundations „gravis 1B“

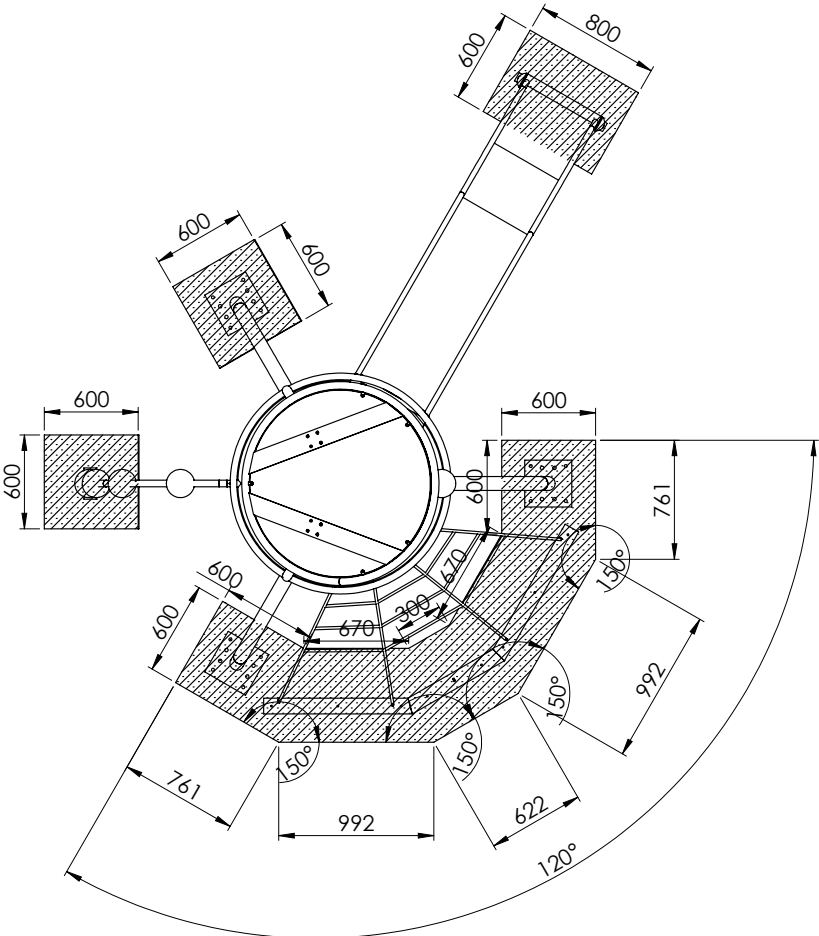
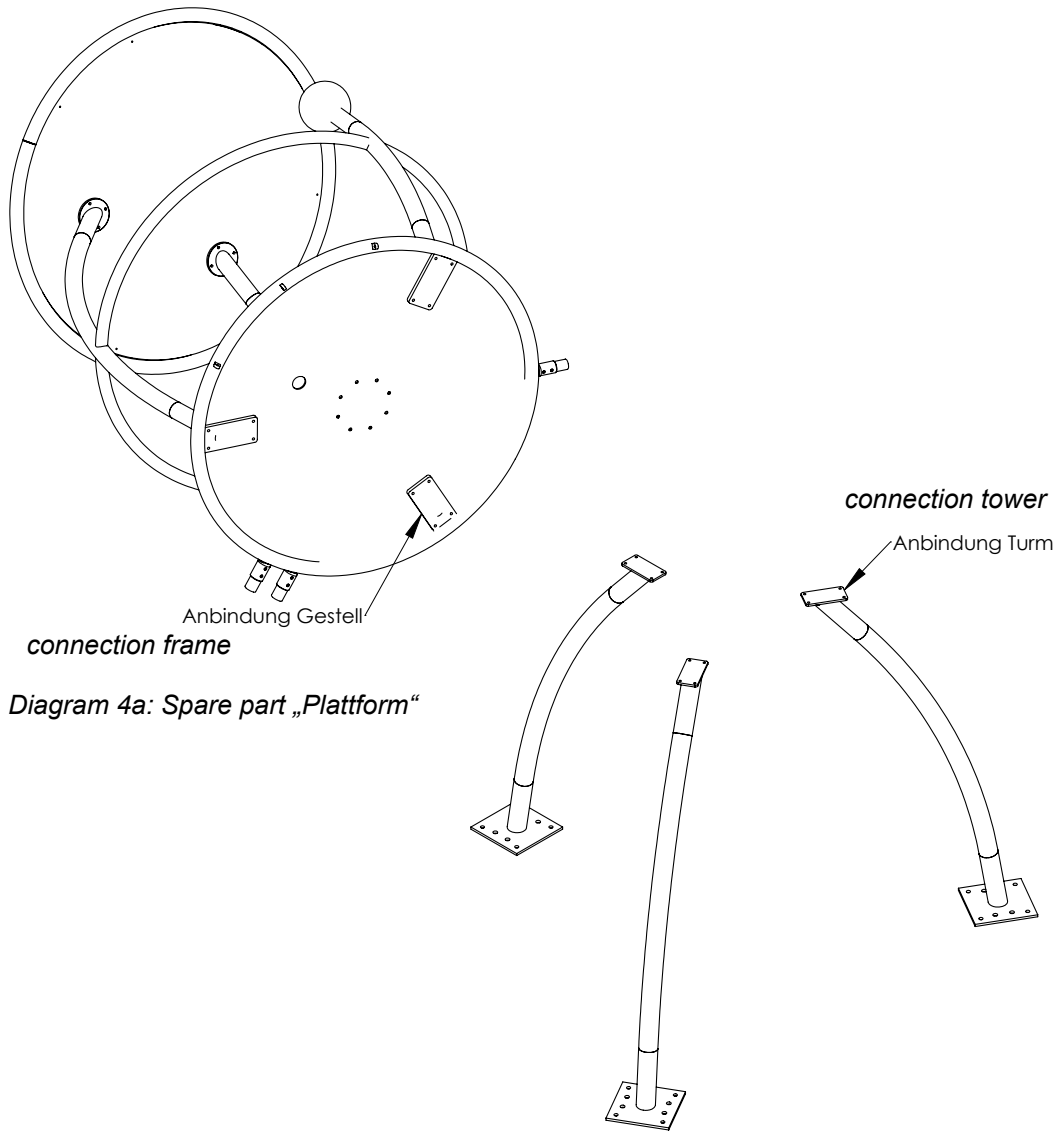


diagram 2c: top view with dimension of the foundation „gravis 1B“

Mounting instructions for multiplay equipment „gravis 1B“ scope of supply and attachment of spare parts

Item-No. 51 5519 402



5. Connect the platforms as described in diagram 1, 4a and 4b at the indicated positions with the frame. Please fasten the parts using the screws (cap nut M12) including in the delivery.
6. The base frames of the towers ave to be positioned on the foundations as shoen in diagram 1 and 2b.
Note: Do not screw the base plates onto the foundations yet!
7. Connect the slide (diagram 5b) with the tower at the intended locations and fasten it with the screws included.
8. Connect the climbing arc with the adapter and screw as shown on fiagram 5 (screws included in delivery).
9. Connect the climbing net (diagram 5a) with the tower at the intended loca- tions acc. to the Diagram 1 and 5 and place the flat steel on top of the founda- tion. Please fasten the parts using the screws including in the delivery.
10. Align the play equipment more on the foundations.
Note: The climbing net should be placed with tension.
11. Drill holes into all foundations and screw the play equipment into the founda- tions with the included heavy-duty dowels.
12. Seal the foundation with the safety cover required for the height of fall indicated.
Critical drop height: 1500 mm.
Recommended surface material: sand, wood chip, gravel, synth. fall protec- tion.
13. Do not allow children to use the equipment before the installation has been finished.
14. After 3 months, check the screws at the joints and retighten them if necessary.

Mounting instructions for multiplay equipment „gravis 1B“ scope of supply and attachment of spare parts

Item-No. 51 5519 402

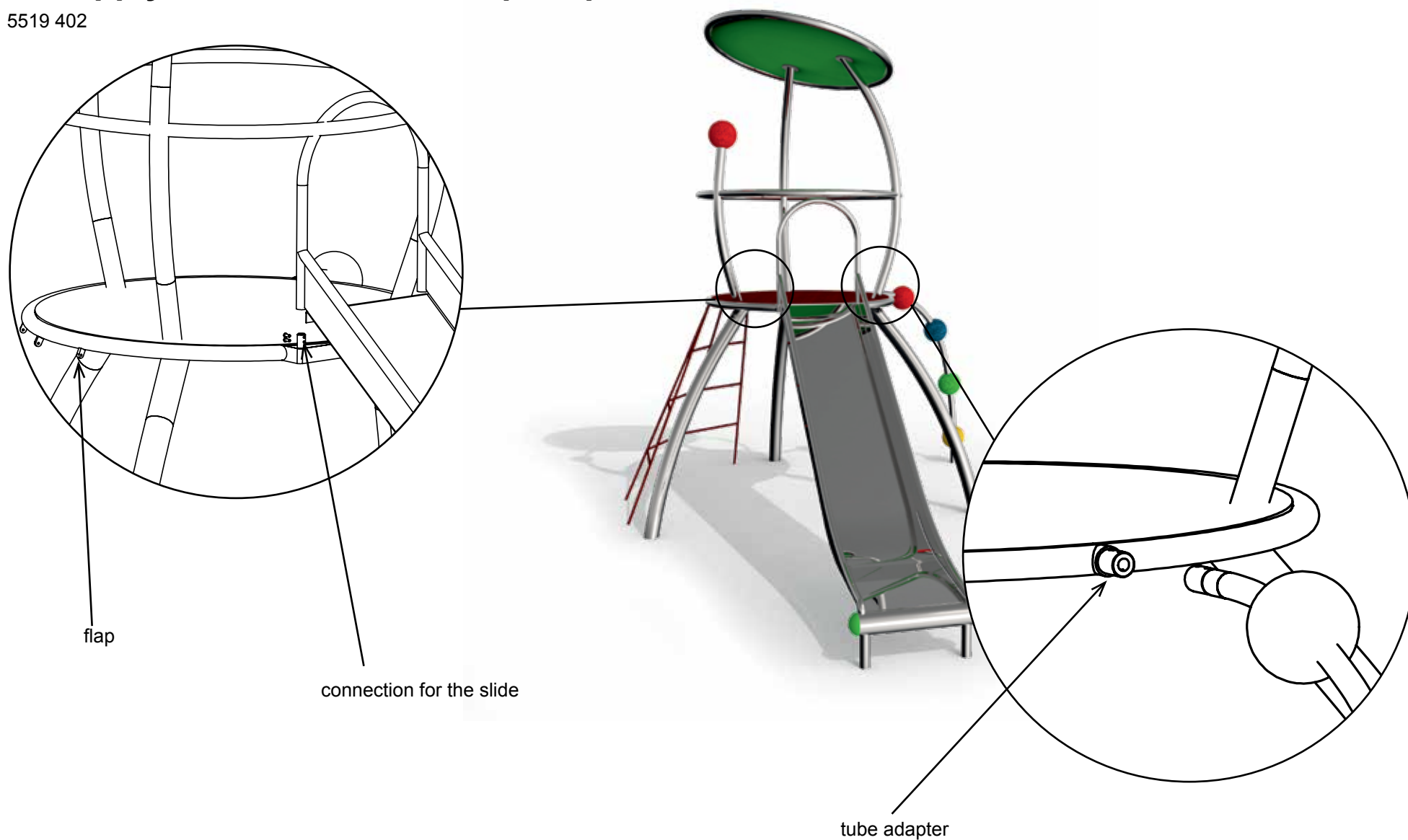


Diagram 5: Connection for spare parts

Mounting instructions for multiplay equipment „gravis 1B“

Item-No. 51 5519 402

Attention: If the play equipment has been incompletely installed or partly dismantled when carrying out maintenance and repair work, this may lead to particular risks of injury for the user. For this reason, make clearly visible that the equipment shall not be used in such cases.

NOTE: Play equipment, which contain components made of stainless steel should not come with „normal“ steel parts in contact. Those steel parts may rub off and leave small steel particles in combination with moisture brown rust stains. If such corrosion occur on stainless steel parts, they are fine to remove with an abrasive (240 grit).

Please take care when transporting and setting up the fact that the components are made of stainless steel with no „normal“ steel parts in contact.

In order to preserve a good visual appearance of your stilum playground equipment over a long period one should take care of maintenance of the stainless surface even despite of their corrosion resistance. Especially areas, which can not be reached by rainfall, should be frequently cleaned from dirt and deposits due to air pollution and dirt caused by the atmosphere. Light soiling can easily be removed by using a high pressure cleaner. For persistent deposits use a clean cloth moistened with a special liquid cleaner (e.g. on phosphoric acid) and rinse off with clear water after a short application time. During cleaning with mild abrasive components, only wipe over stainless steel surface in polishing direction. For heavily soiled surfaces, polishes can be used (e.g. for cleaning chrome on cars) or for greasy and oily dirt alcoholic cleaning agents and solvents (e.g. ethyl alcohol, isopropyl alcohol or acetone). However, it should be noted that the dissolved soiling is not spread over the surface again. Do not use any chloride or hydrochloric containing cleaning products nor scouring powder, bleaching - or silver polish cleaner. Cleaning intervals depend on type and degree of soiling as well as on demands made on optical characteristics. Therefore cleaning is advisable at intervals of six to twelve months – whereby in the case of strong soiling it is appropriate to clean the playground equipment at intervals of 3 to 6 months.