

DATA SHEET MERRY-GO-ROUND VERSO

Text for invitation to tender | Item No: 514021401



MATERIALS | SCOPE OF SUPPLY

merry-go-round, pre-mounted completely

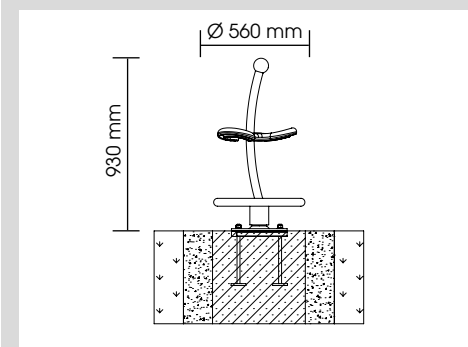
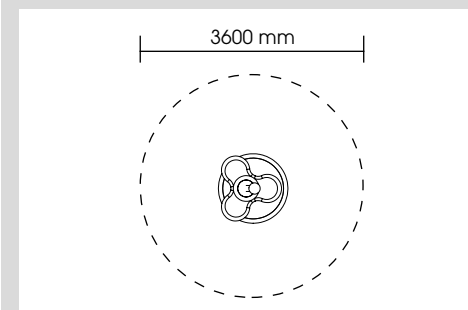
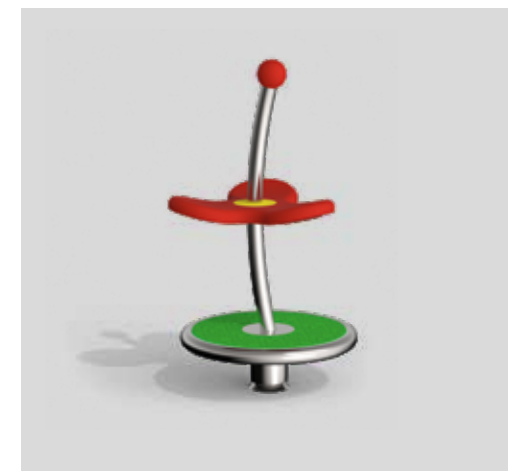
| | |
|--------------------|--|
| flower seat: | EPDM with steel inlay, 1 piece |
| handles: | stainless steel, V2A, 1 piece with ball made of EPDM |
| base plate: | stainless steel, V2A coa- ted with EPDM rubber granule with ball bearing at the bottom |
| foundation anchor: | steel, galvanized |

TECHNICAL INFORMATION

Dimensions:

| | |
|--------------------------|-------------------------------------|
| Main dimension: | Ø 560 mm |
| Height: | 930 mm |
| Weight: | 41 kg |
| Capacity: | acc. to normative require- ments |
| Dimension largest piece: | Ø 500 x 930 mm |
| Heaviest piece: | 36 kg |

| | |
|----------------------------------|--|
| Max. fall height: | 530 mm |
| Safer surfacing area: | 10,18 m ² |
| Required safety slabs: | 16,00 m ² |
| Required lawn grating: | 16,00 m ² |
| Recommended surface material: | grass, sand, wood chip, gravel, synth. impact protec- tion |



INSTALLATION

Foundations: 1

Installation at concrete surfaces possible
(special edition)

Installation according to our detailed mounting
instructions, see www.stilum.com

