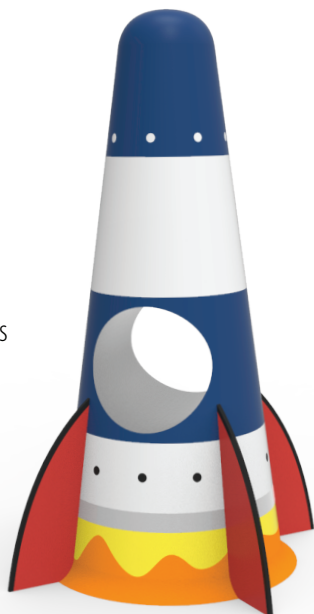


product line **EXTRA**

# SPACE SHUTTLE

## with tube

Product is offered either with fiberglass or stainless steel tube Ø460mm



### PRODUCT COMPOSITION

SBR+EPDM rubber granules, aliphatic PU binder, vandal-resistant fiberglass shell, metal parts, stainless steel (opt. fiberglass) tube

### COLOR COMBINATION

standard: white, blue, rose, yellow, orange (other combination on request)

### COLOR STABILITY

UV stable

### RECOMMENDED SAFETY SURFACE

safety rubber surface in the area of 1500 mm around the product (according to EN1177)

### PRODUCT SAFETY

certified according to EN1176  
complies with ASTM F1487 and CAN/CSA Z614

### INSTALLATION

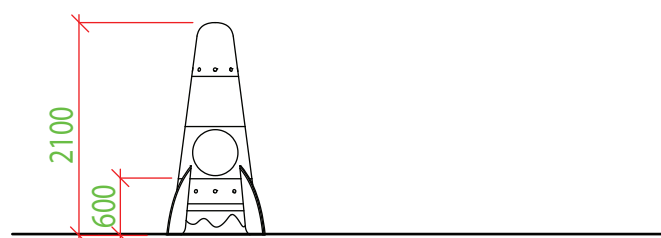
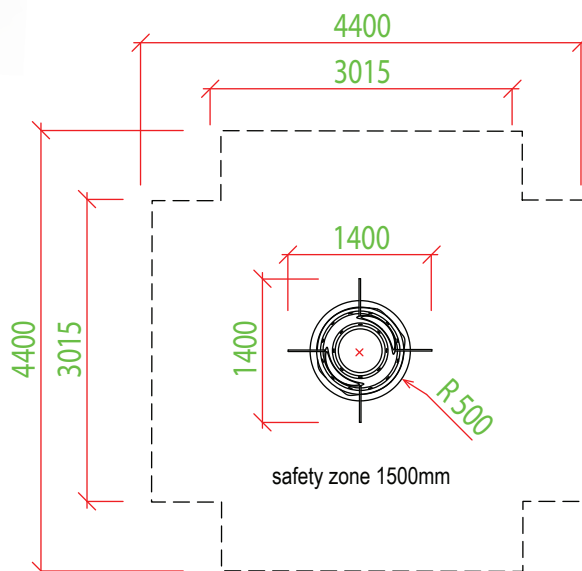
the product is installed onto a concrete foundation

### PACKAGING

wrapped in plastic and delivered on a pallet 1200 x 1200mm

### STORAGE

in original packaging on a pallet  
in temperatures between - 40° C and 50° C



Our products are handmade, please allow dimensional tolerance up to 40 mm

<b>120 kg</b> weight	<b>&lt;600 mm</b> critical fall height	<b>2 h</b> assembly time	<b>4 - 14 yrs</b> users' age	<b>3</b> max. number of users	<b>1400 x 1400 mm</b> <b>h=2100 mm</b> dimensions
-------------------------	---	-----------------------------	---------------------------------	----------------------------------	---

### 3D PROGRAM, s.r.o.

Objízdná 1911  
765 02 Otrokovice  
Czech Republic



MADE IN EU

www.3dprogram.eu  
info@3dprogram.eu  
+420 602 500 045 +420 577 700 718

