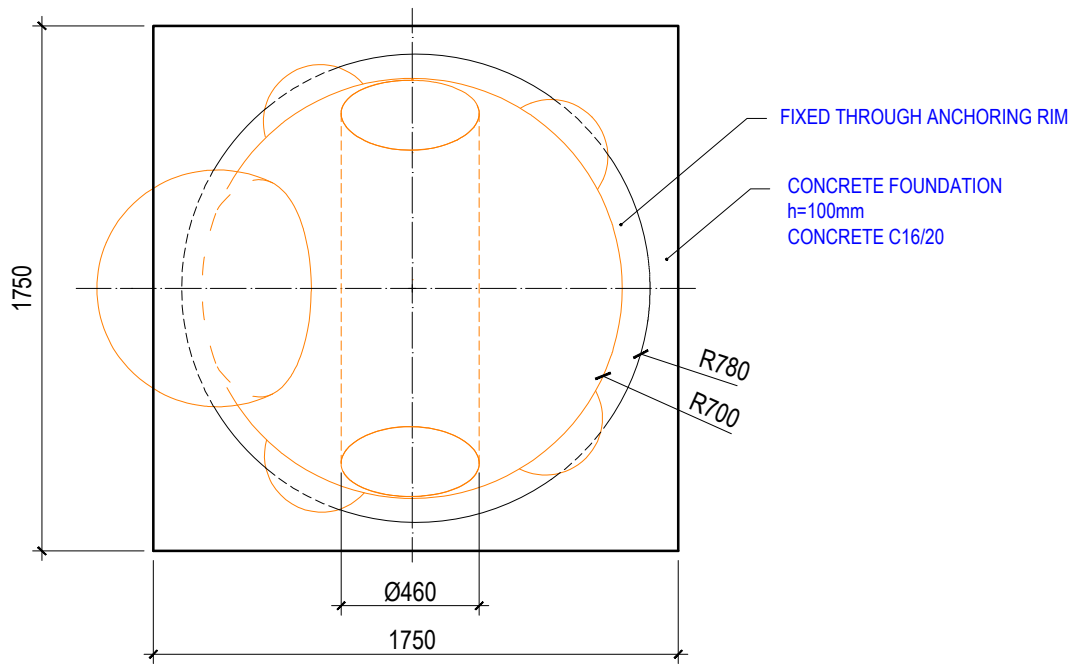
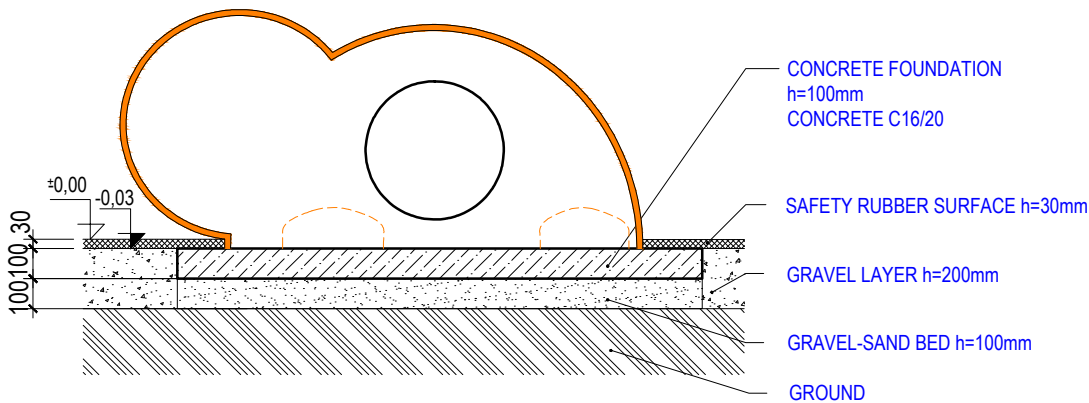


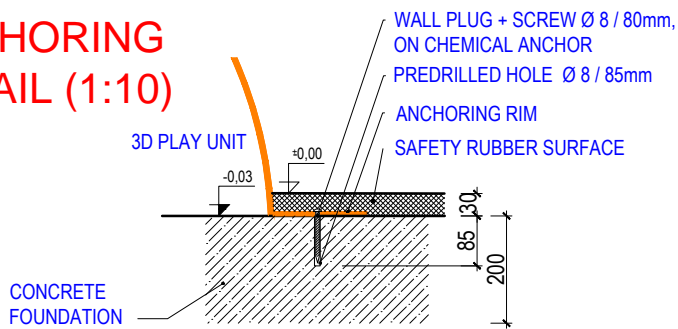
GROUND PLAN (1:25)




SECTION (1:25)



ANCHORING DETAIL (1:10)



Author:		3D PROGRAM, s.r.o.	
MgA. Maxmilián Blšták		Objízdna 1911 765 02 Otrokovice Tel: 602 500 045 Email: info@3dprogram.eu	
<h1>TECHNICAL DRAWING</h1>		Certified according to	EN71 , EN1176
		Date of issue	22.2.2021
C06 - TIGER C14 - PIG C20 - HIPPO C29 - GRIZZLY C07 - TURTLE C16 - LION C21 - COW C32 - MOLE C10 - DOG C18 - CAT C22 - HARE C11 - FROG C19 - HEDGEHOG C23 - WOLF		M 1:25, 1:10	format 1xA4
Foundation and anchoring - ground plan and section		C_EN.dwg	revision 0