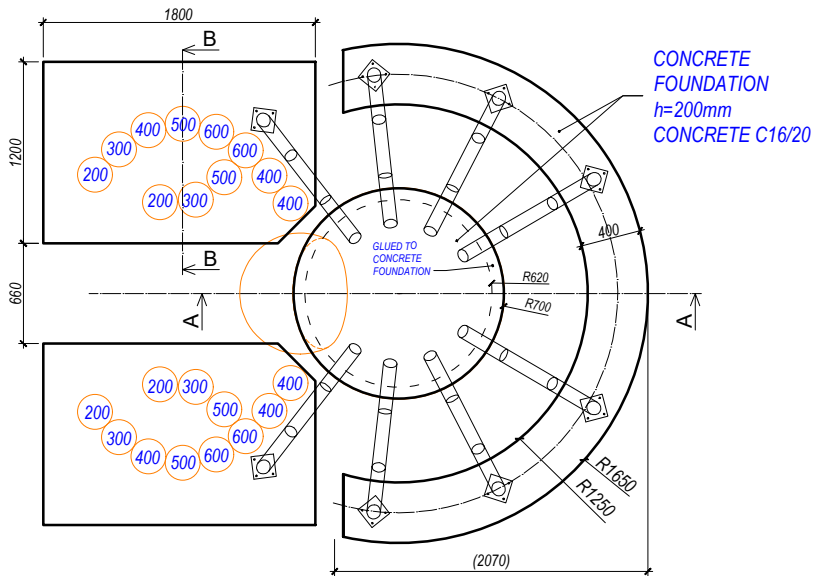
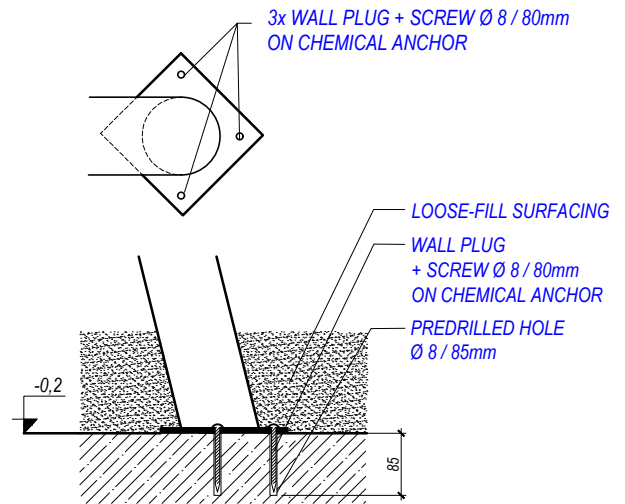


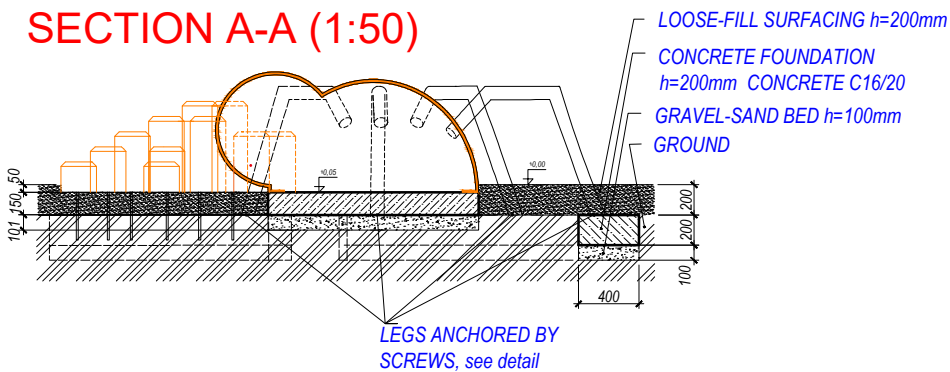
GROUND PLAN (1:50)



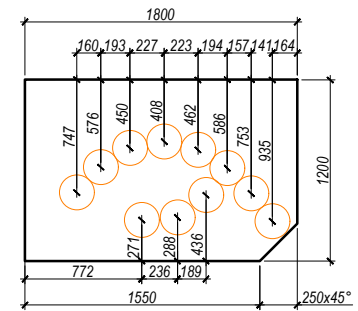
"LEG" ANCHORING DETAIL (1:10)



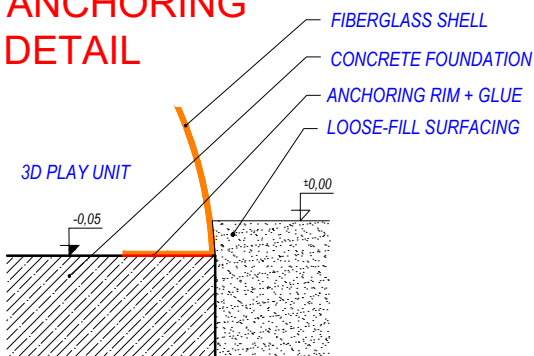
SECTION A-A (1:50)



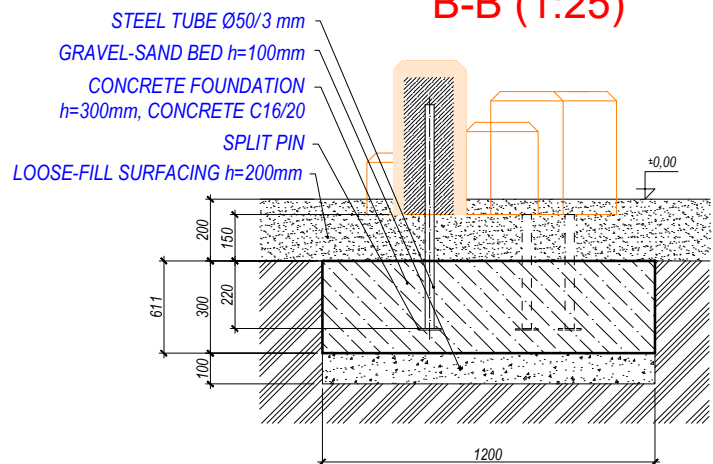
PALISADE ANCHORING POSITION (1:50)



ANCHORING DETAIL



SECTION B-B (1:25)



Author:

MgA. Maxmilián Blšták

3D PROGRAM, s.r.o.

Objezdná 1911
765 02 Otrokovice

Tel: 602 500 045

Email: info@3dprogram.eu



TECHNICAL DRAWING

C15 - CRAB - SAND

Foundation and anchoring - ground plan and section

Certified according to

EN71 , EN1176

Date of issue

22.2.2021

M 1:50, 1:25, 1:10

format 1xA4

C15_EN.dwg

revision 0