

DATA SHEET CLIMBING EQUIPMENT SURA 4B

Text for invitation to tender | Item No: 517531601



MATERIALS | SCOPE OF SUPPLY

Climbing equipment, final installation on location

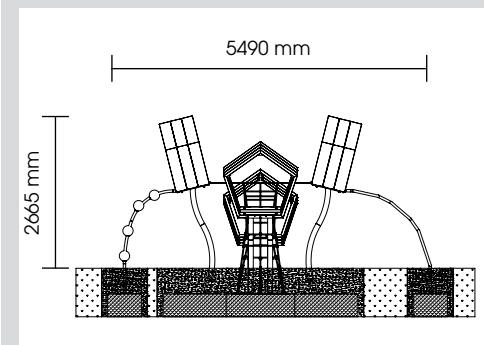
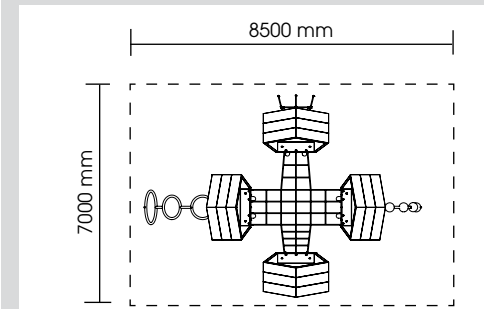
posts:	Stainless steel, V2A, 4 pcs.
foundation plates:	flat steel
play houses:	Larch, 4 pieces
climbing eye:	Stainless steel, V2A, 1 pc.
net elements:	Herkule rope/plastic
climbing arc:	Stainless steel, V2A, 1 pc.
climbing balls:	caoutchouc, 4 pieces

TECHNICAL INFORMATION

Dimensions:

Main dimension:	3750 x 5490 mm
Height:	2665 mm
Weight:	810 kg
capacity:	acc. to normative requirements

Max. fall height:	1500 mm
Safety surfacing area:	59,50 m ²
Required safety slabs:	59,50 m ²
Recommended surface material:	sand, wood chip, gravel, synth. impact protection



INSTALLATION

Foundations: 6

Installation at concrete surfaces possible (special edition)

Installation according to our detailed mounting instructions, see www.stilum.com

