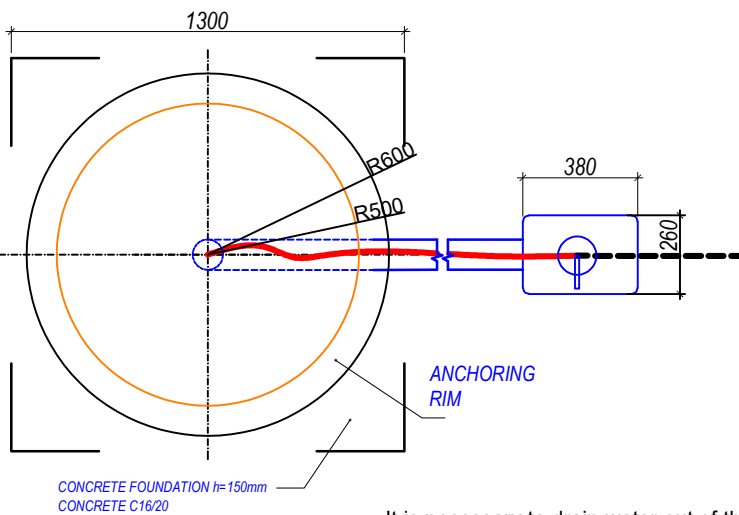
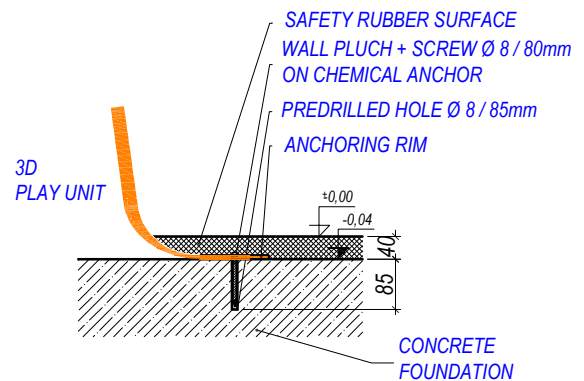


GROUND PLAN (1:25)



ANCHORING DETAIL (1:10)



It is necessary to drain water out of the sprayer to prevent the water from freezing in the system in winter months.

Author:		3D PROGRAM, s.r.o.
BcA. Daniel Nad'		Objizdná 1911 765 02 Otrokovice
		Tel: 602 500 045 Email: info@3dprogram.eu
TECHNICAL DRAWING		Certified according to EN71 , EN1176
		Date of issue 21.9. 2022
E01, E02, E03 - LIGHTHOUSE WITH SPRAY NOZZLE		M 1:25, 1:10 formát 1xA4
Foundation and anchoring - ground plan and section		E01-03 with spray nozzle_CZ.dwg revision 0

