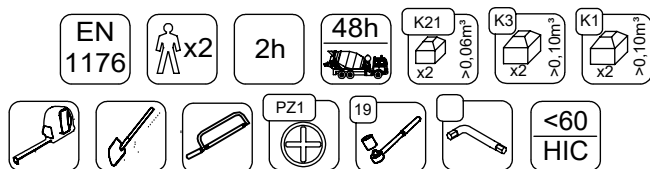


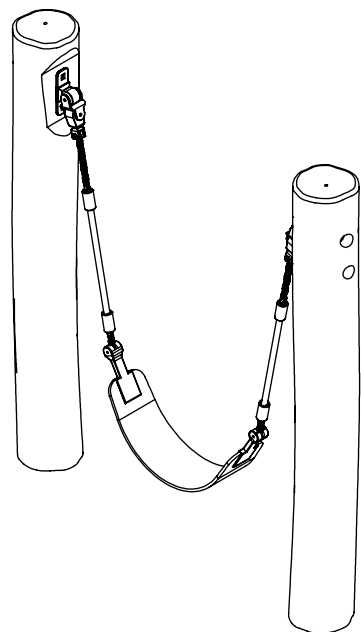
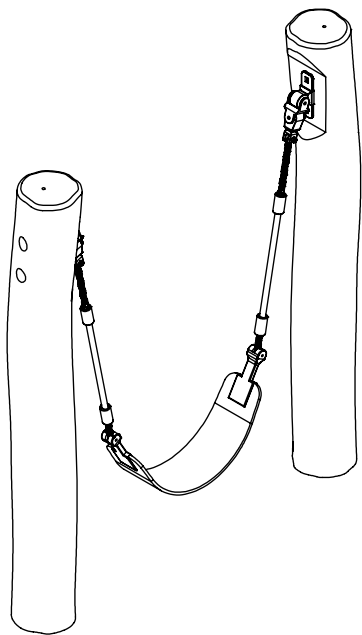
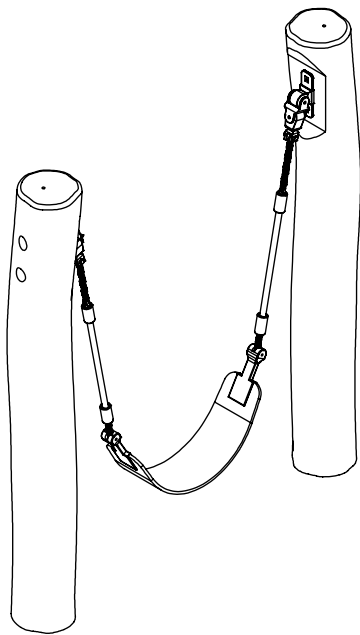
RB0514



v011
26.03.2025
M.L.
[cm]

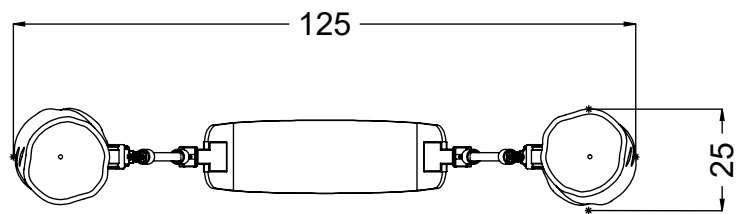
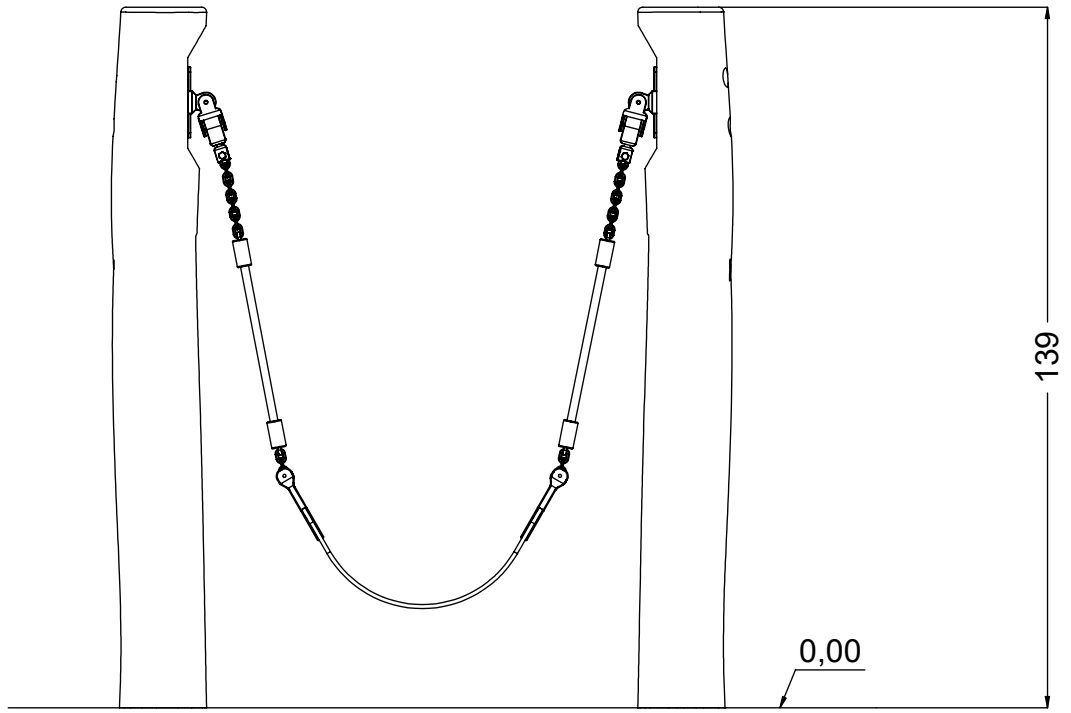


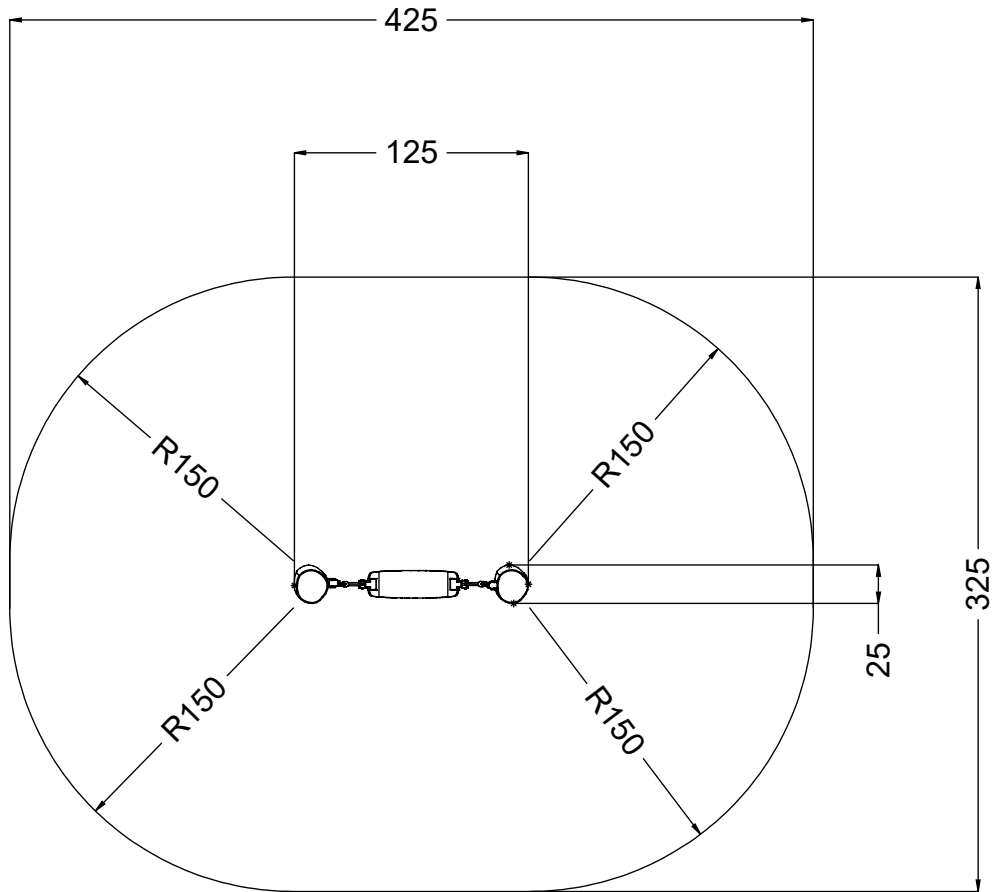
vinci
play



[cm]

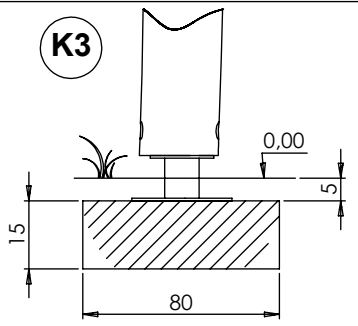
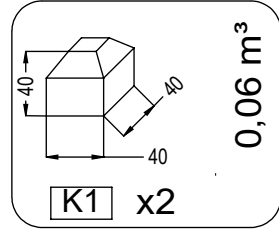
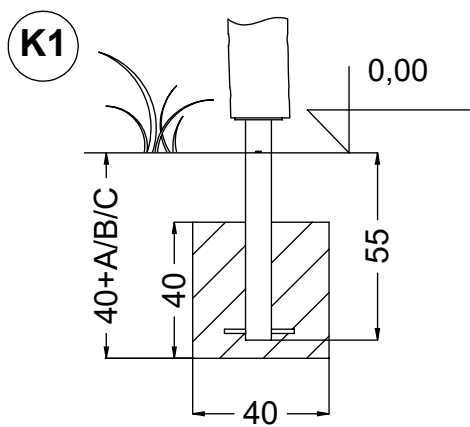
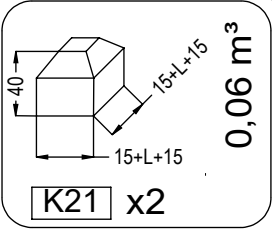
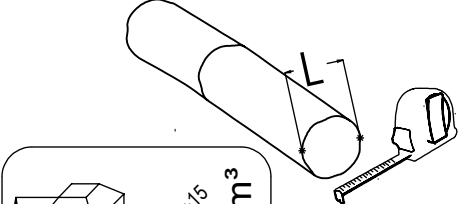
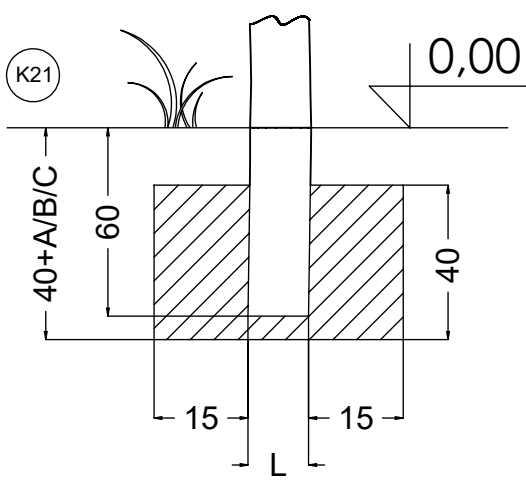
vinci
play





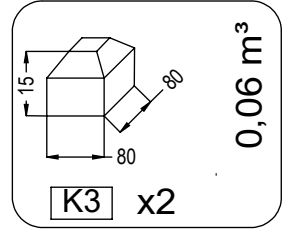
[cm]

vinci
play

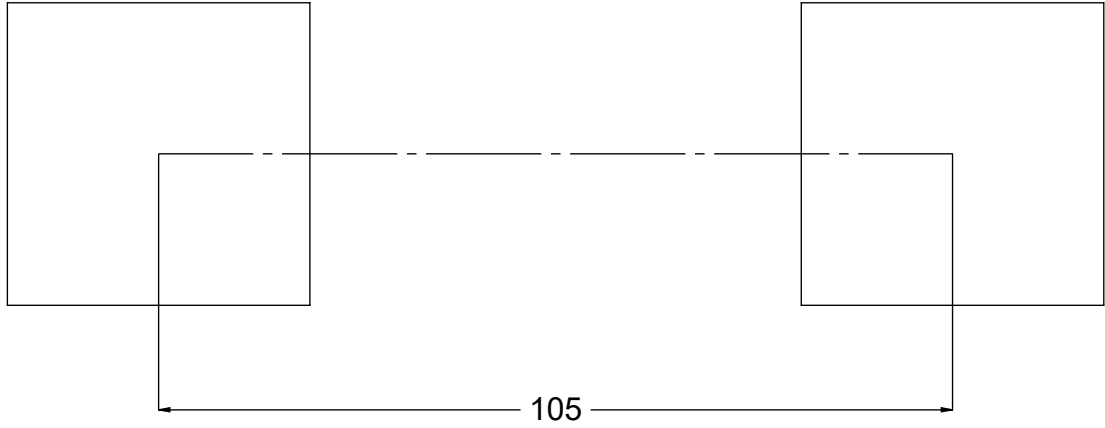
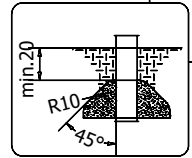
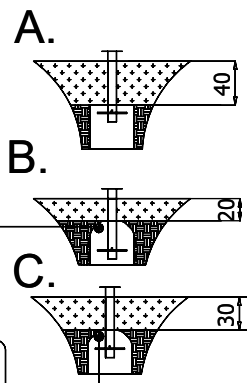


4x M12x120 (K3)

NOT INCLUDED



48h

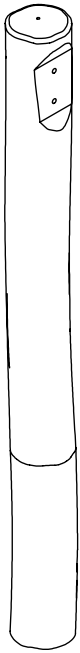


[cm]

x2
 2h

 48h
 K21 x2 >0,06m³
 K3 x2 >0,10m³
 K1 x2 >0,10m³

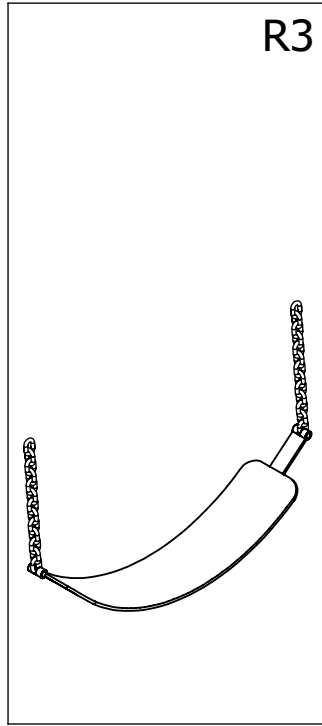
vinci play



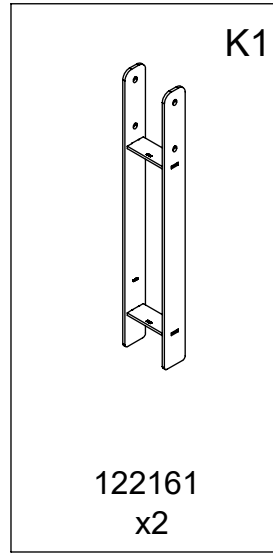
127107
x2



125155
x2

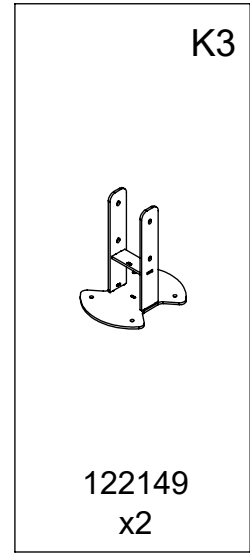


R3



K1

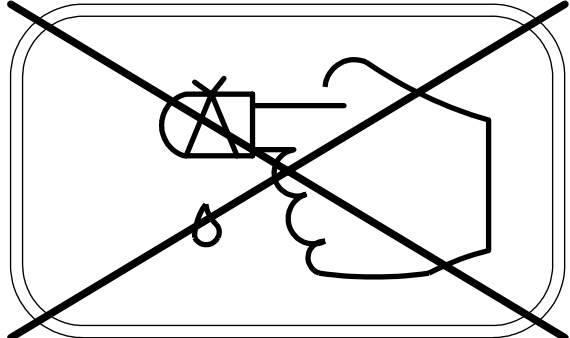
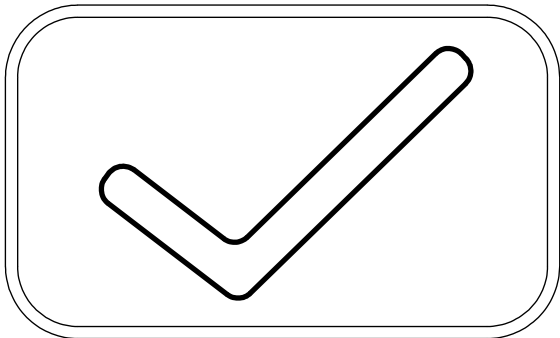
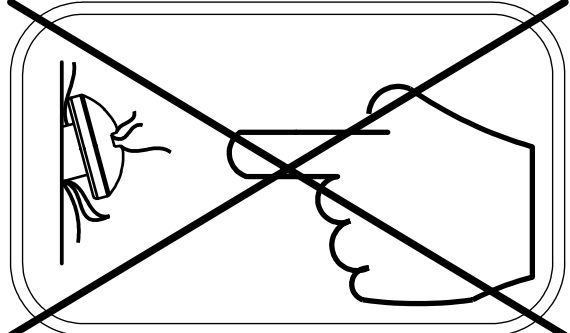
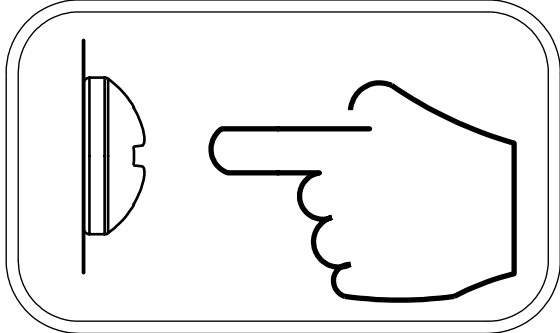
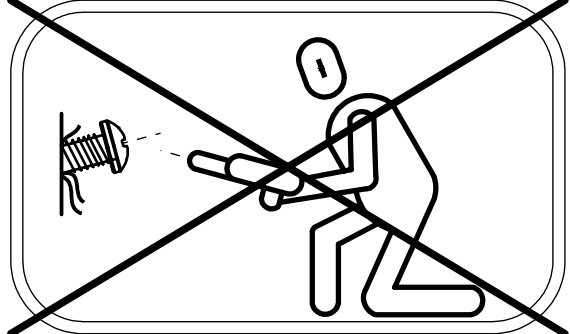
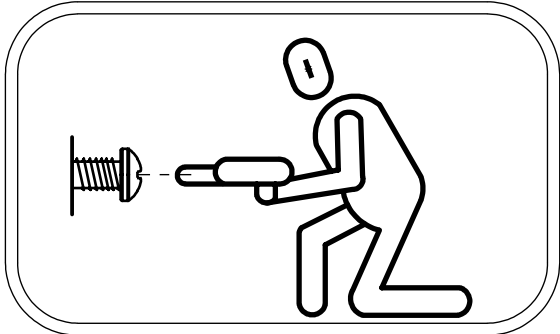
122161
x2



K3

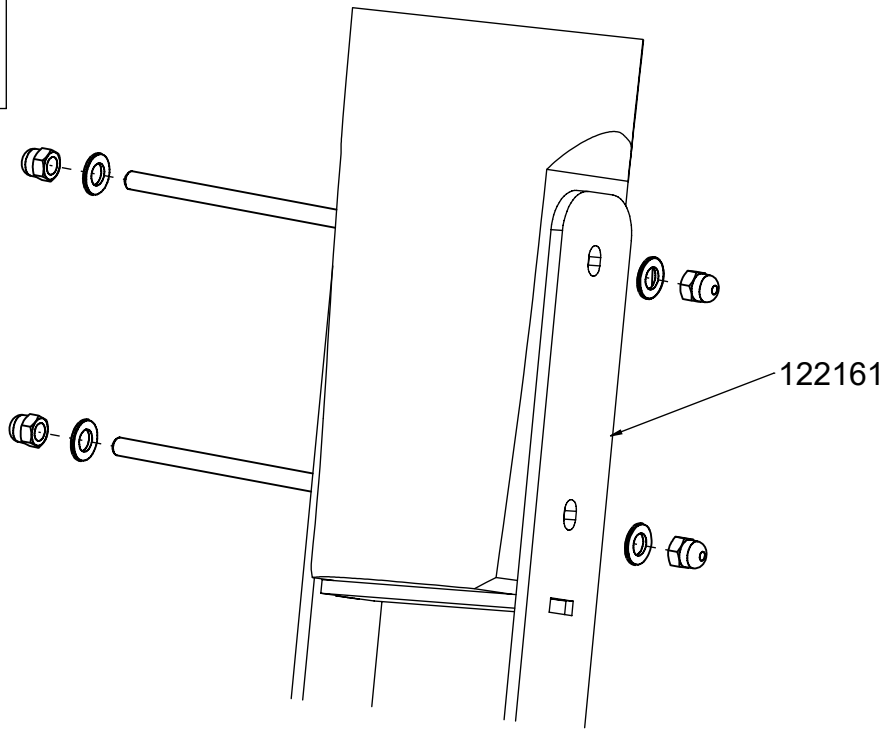
122149
x2

1x	V001
2x	12e084
2x	12e117 (K1,K3)

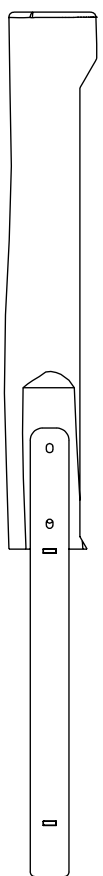


K1

2x



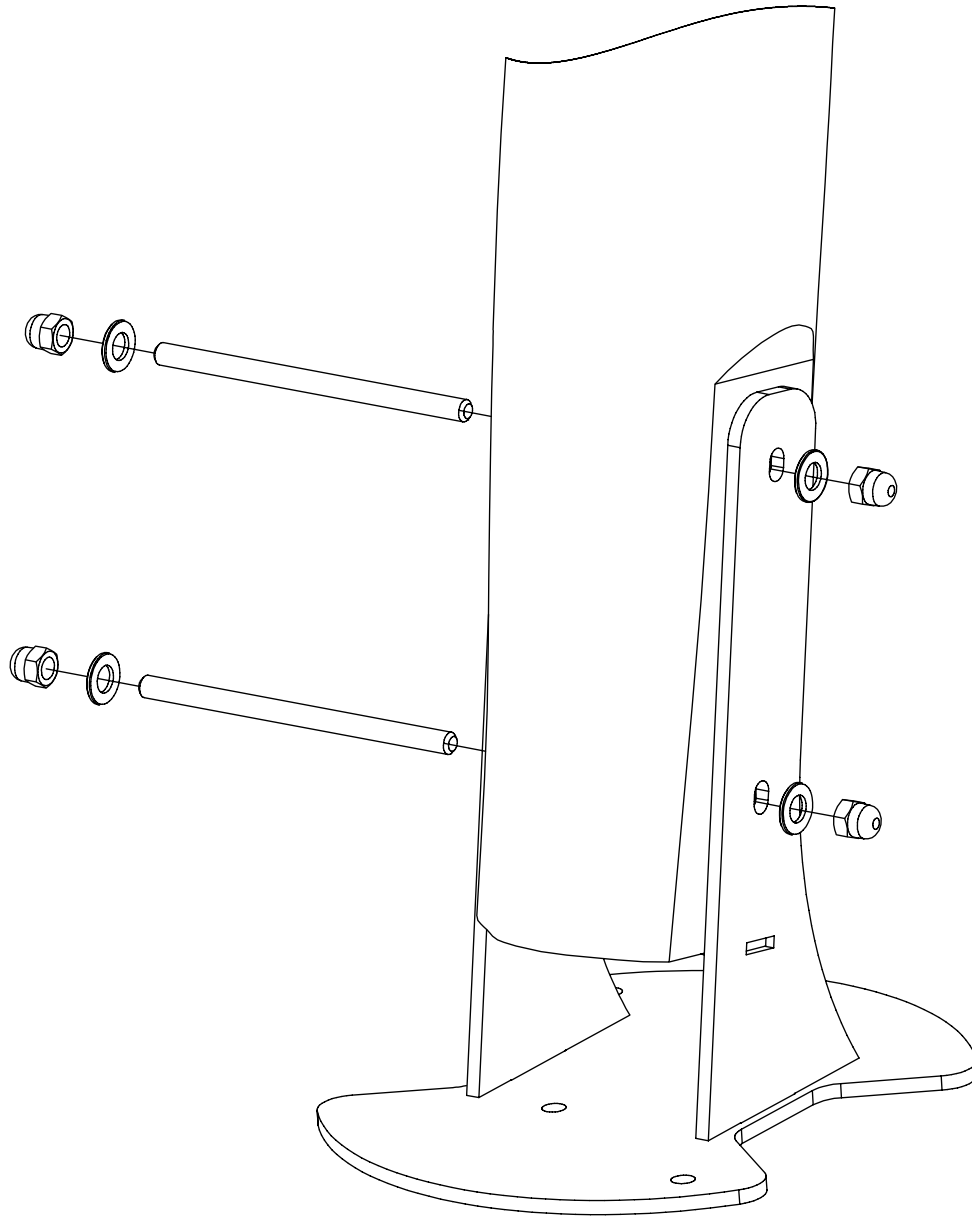
1x **12e117**



[cm]

K3

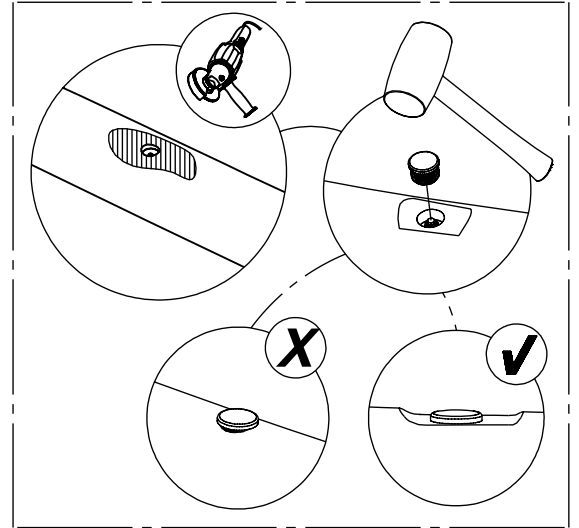
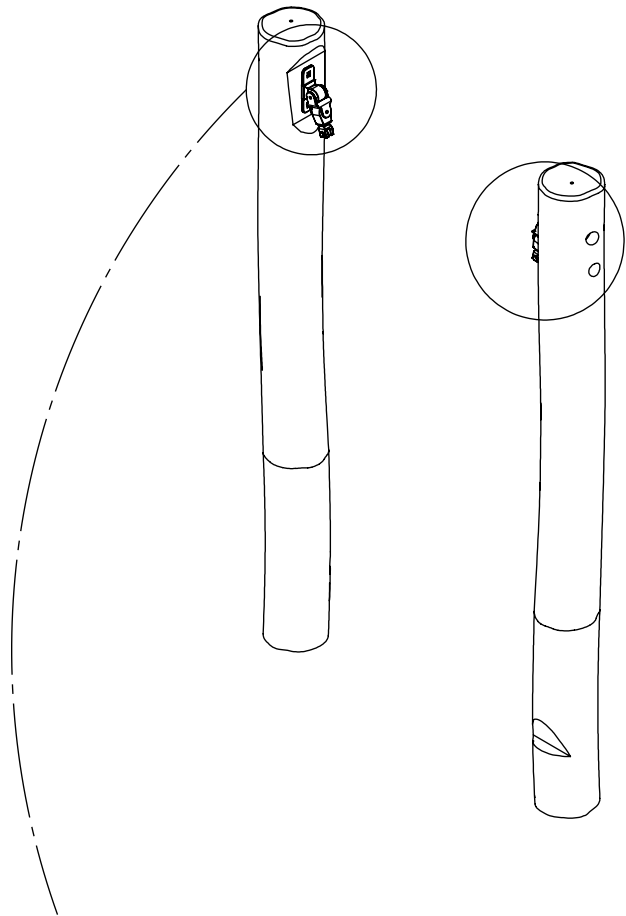
2x



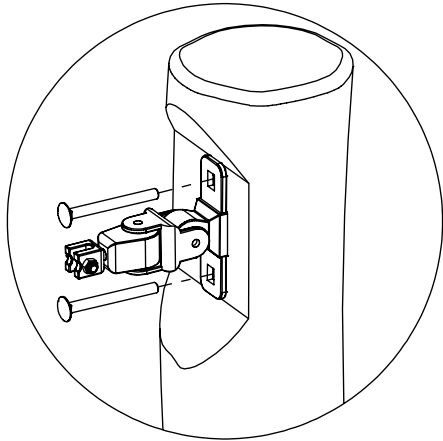
1x **12e117**

[cm]

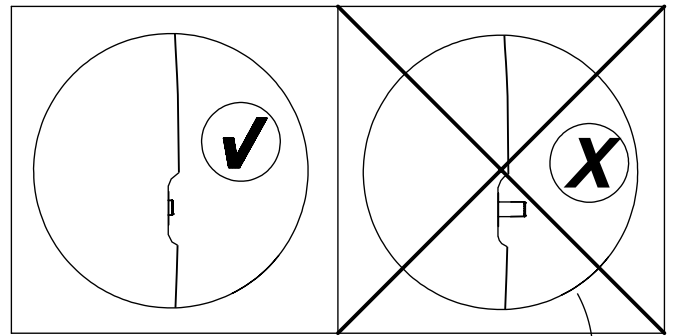
vinci
play



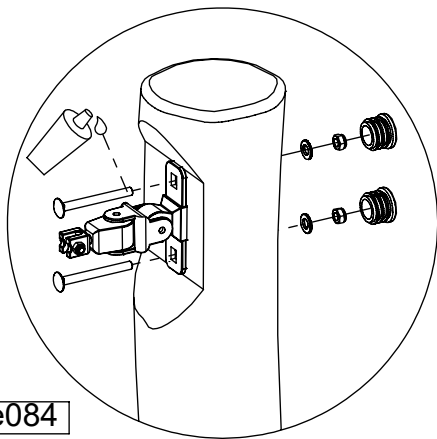
1.



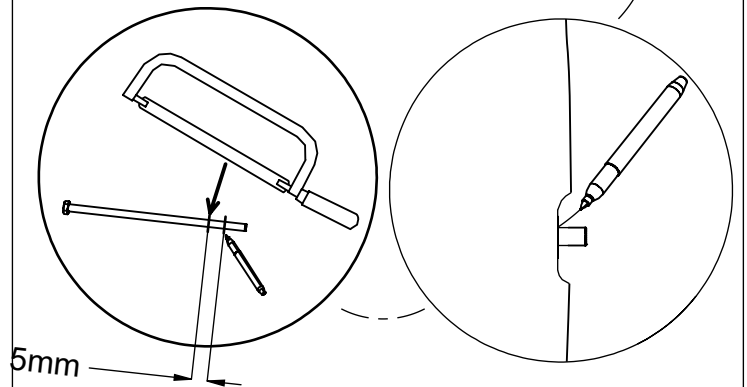
2.



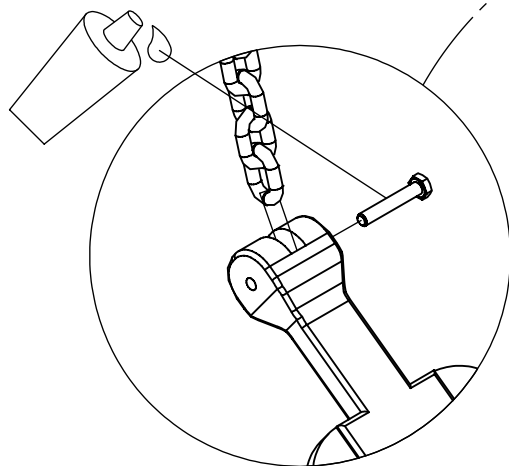
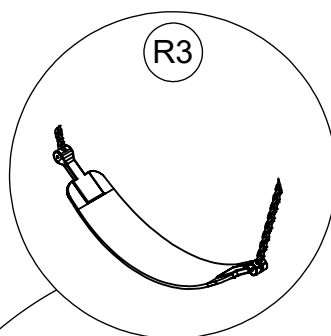
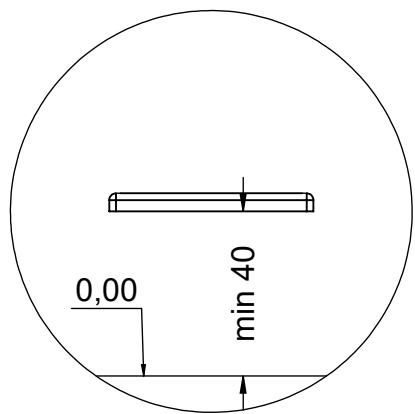
3.

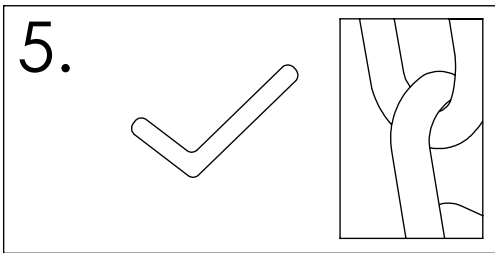
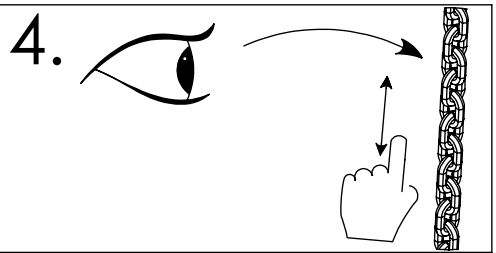
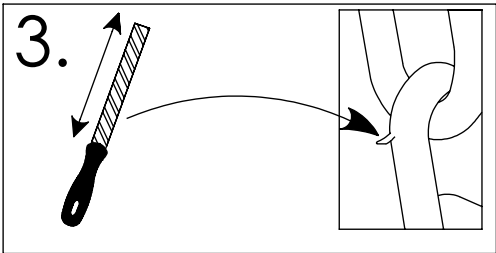
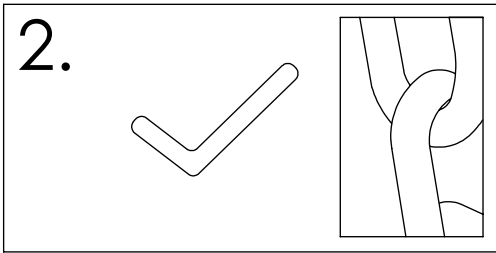
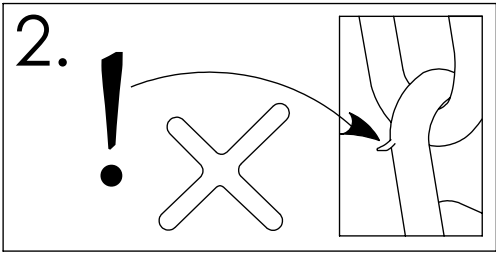
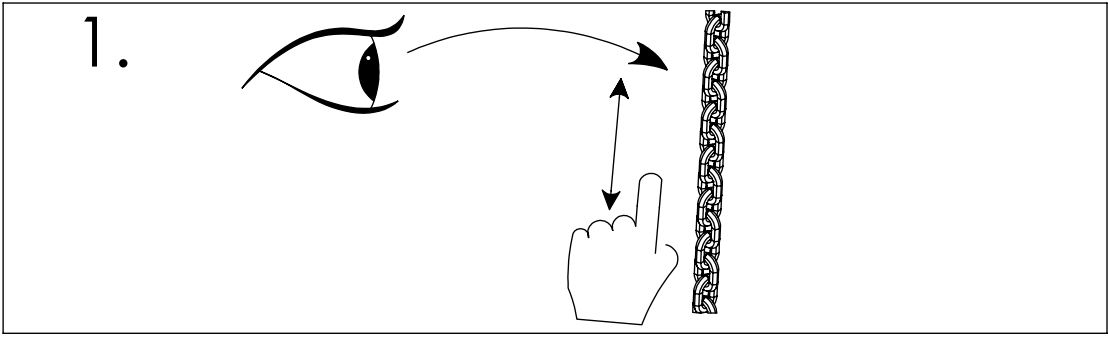


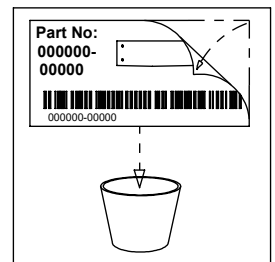
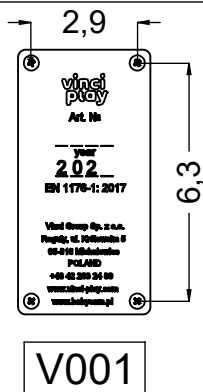
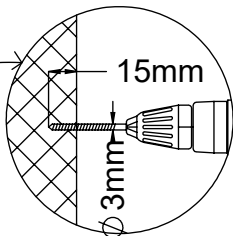
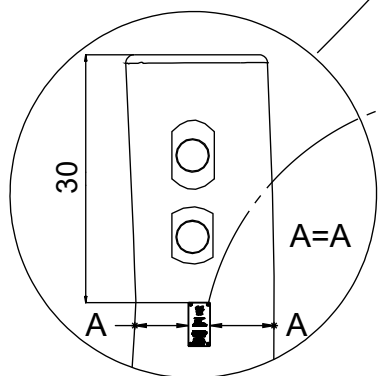
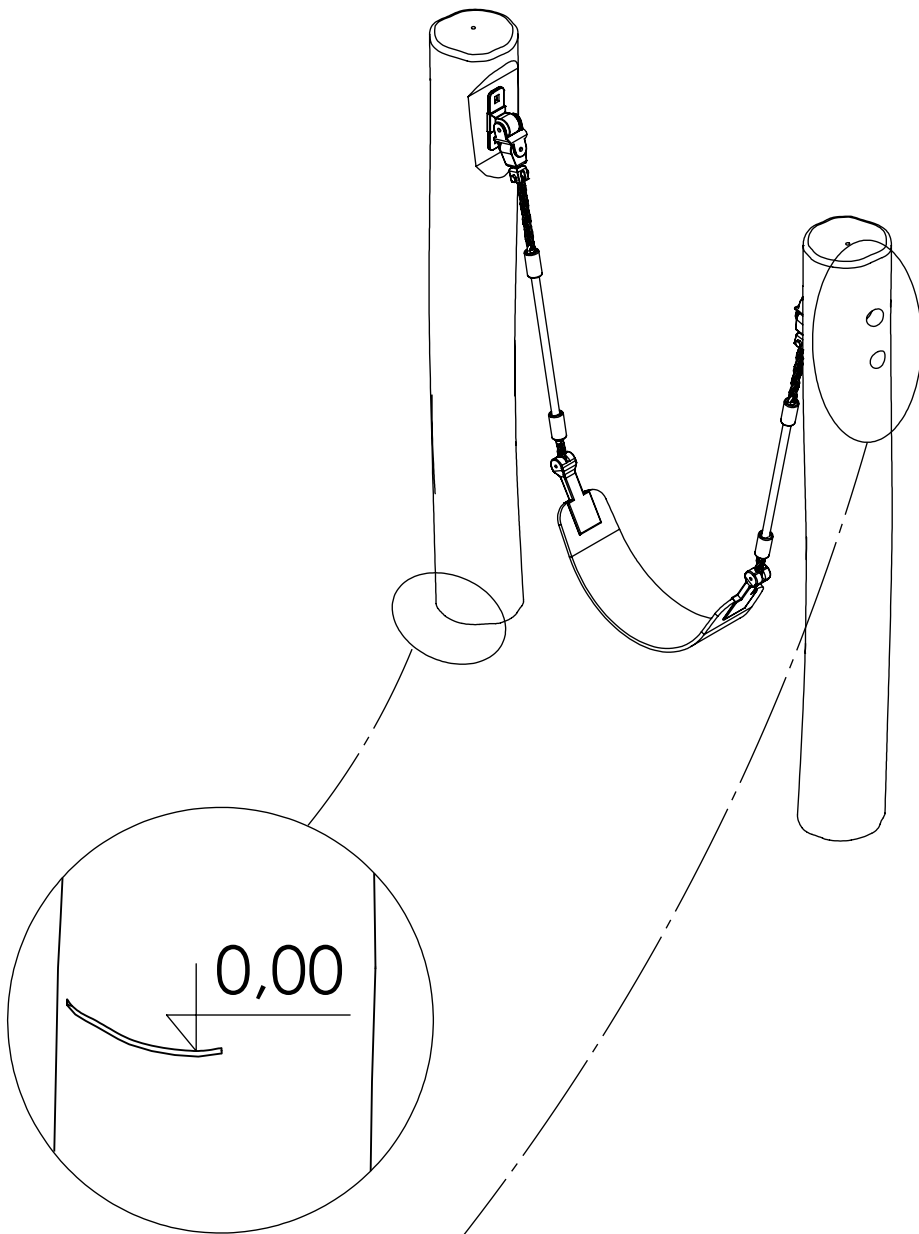
2x 12e084



5mm







[cm]

vinci
play