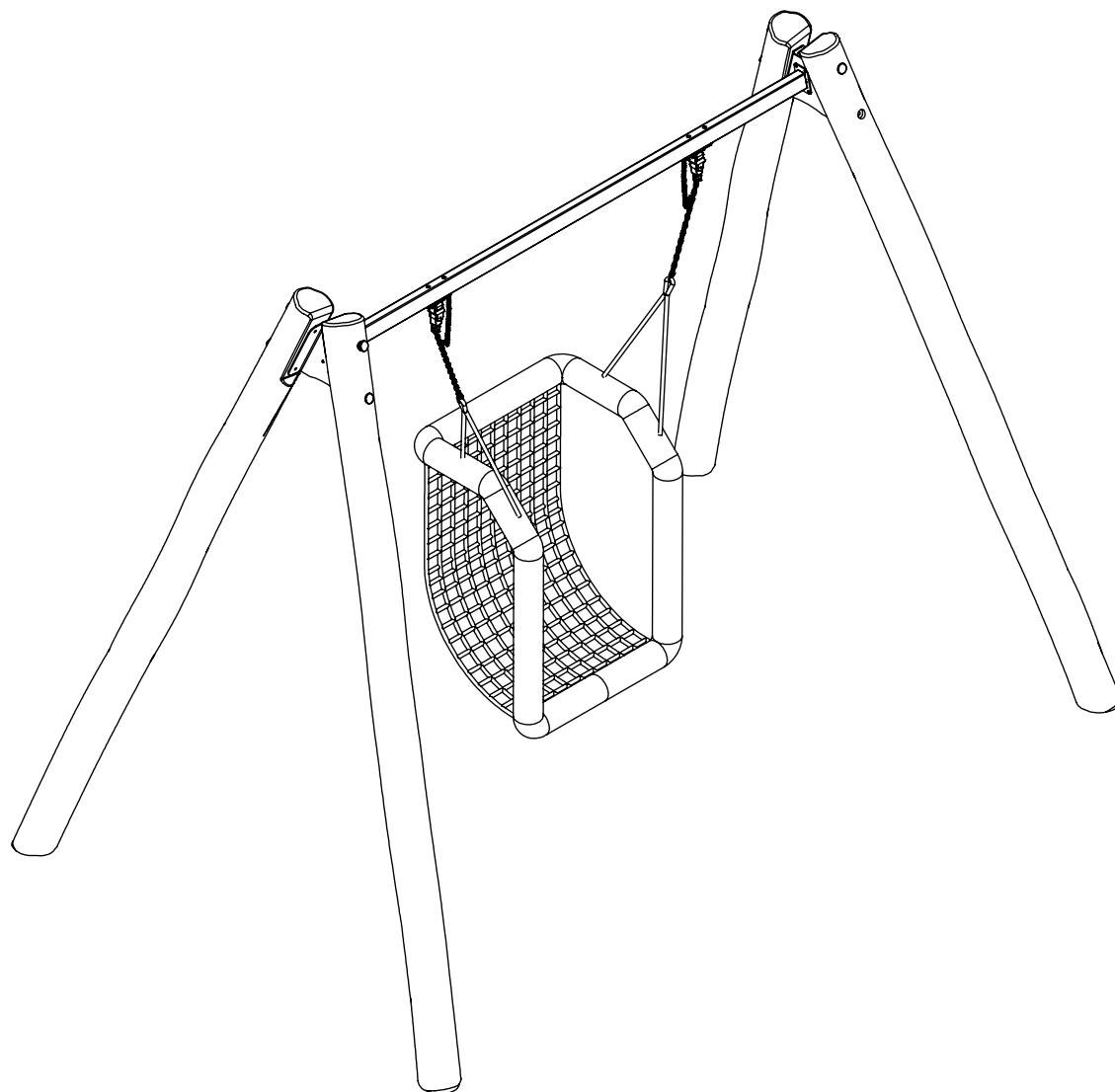
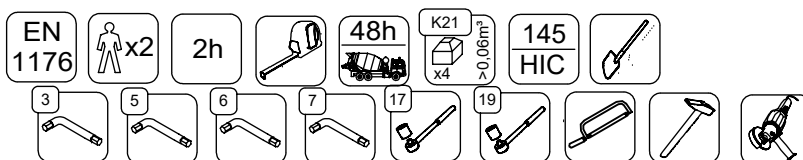


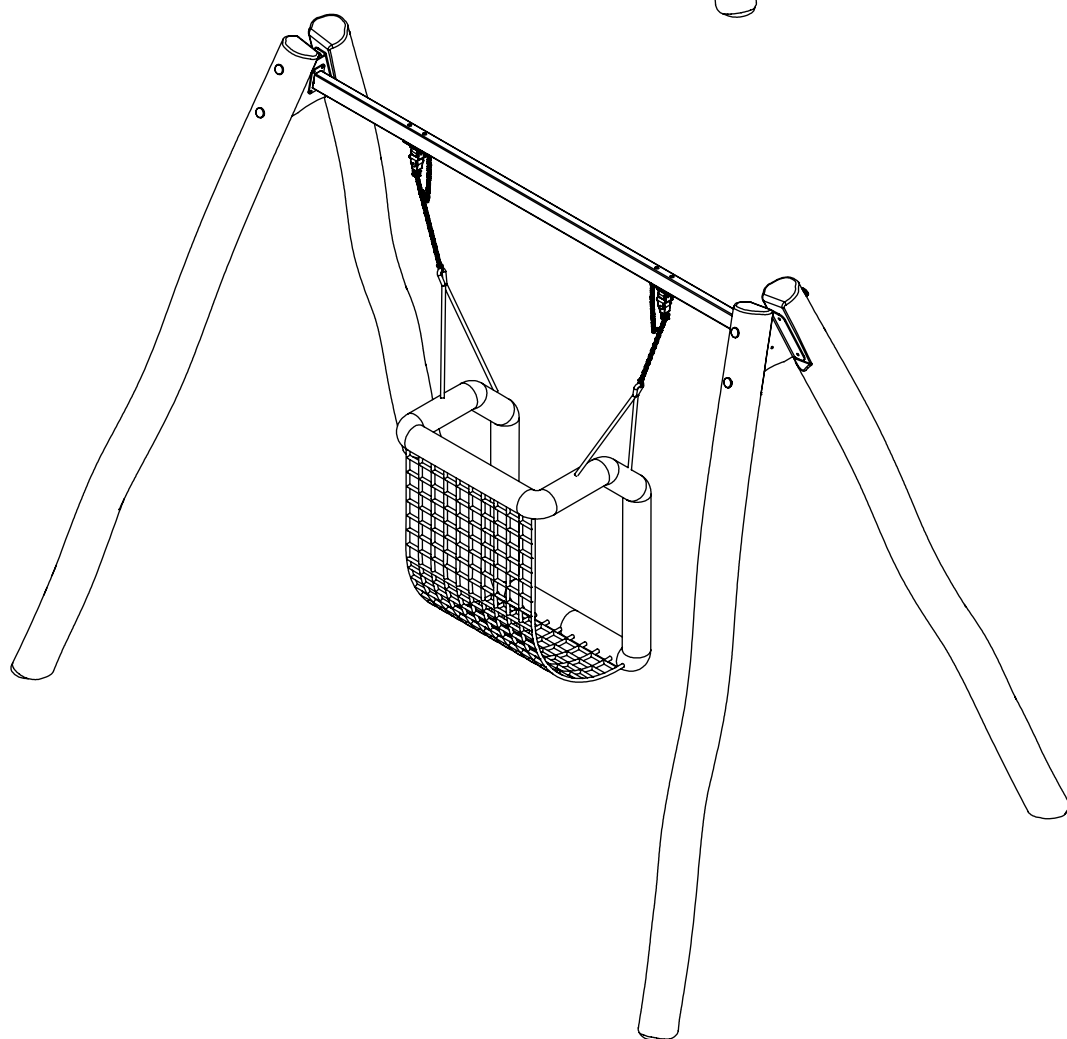
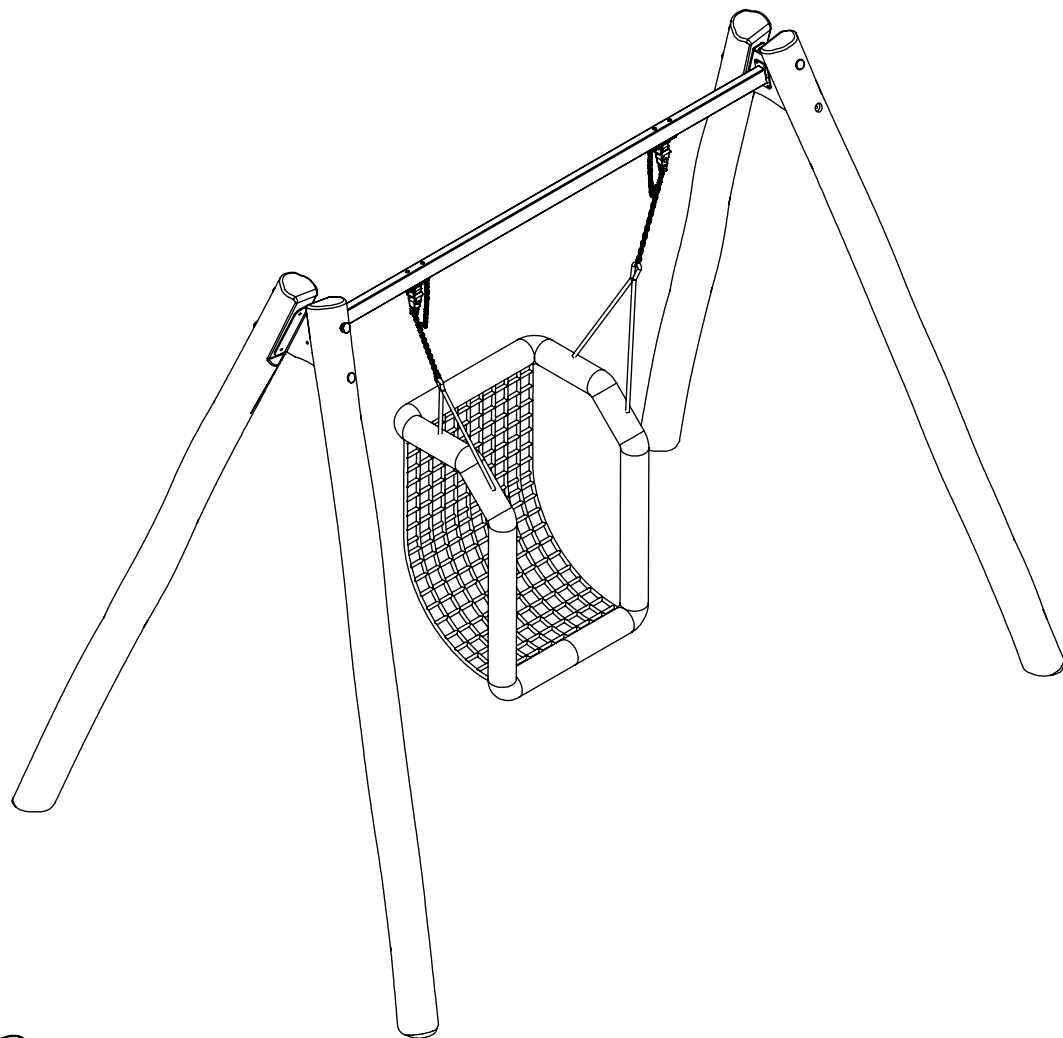
RB0517



v013
14.08.2025
M.O.
[cm]

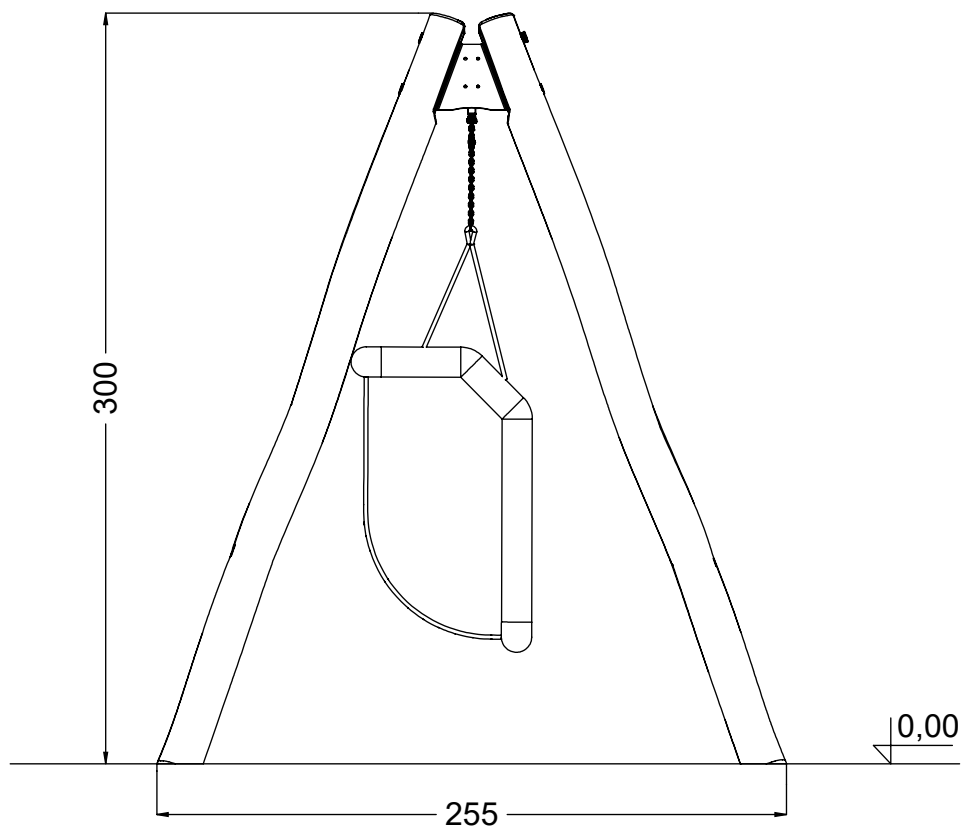
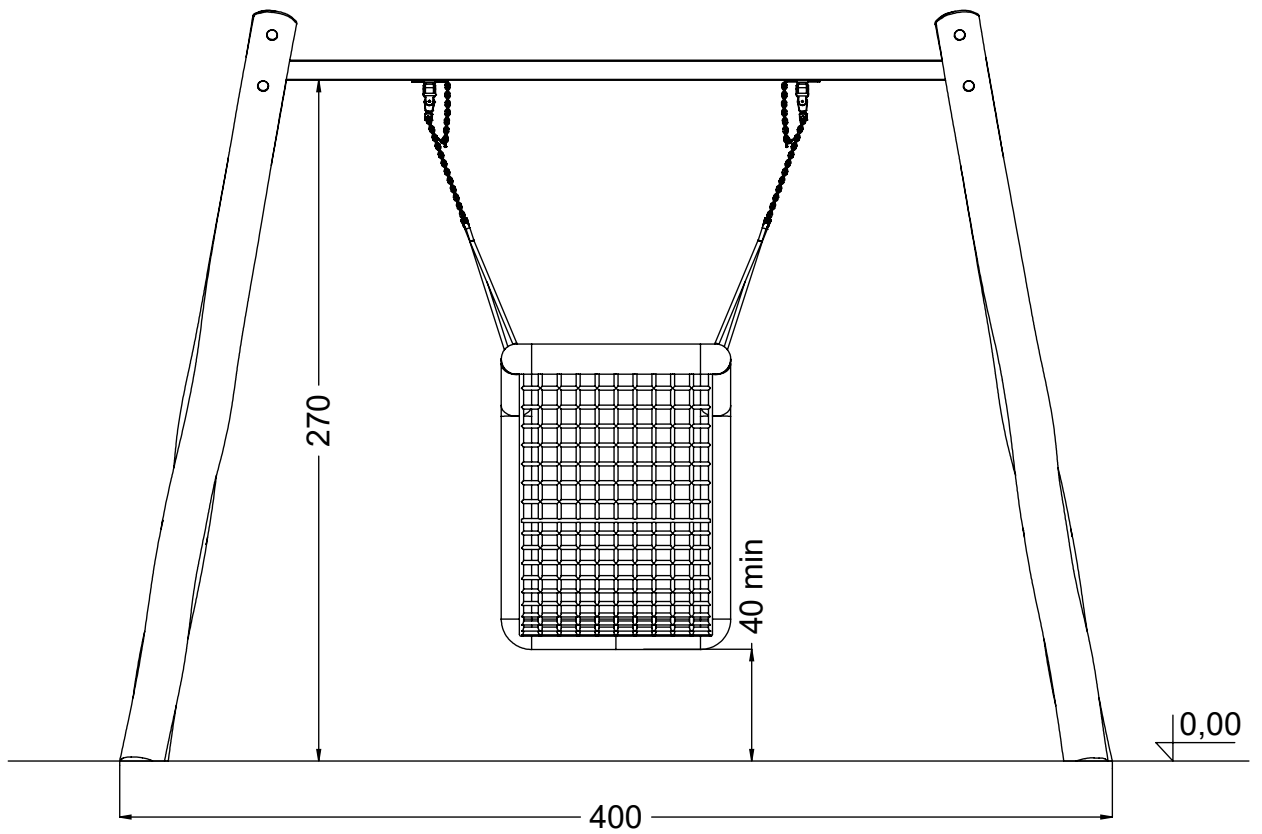


vinci
play



[cm]

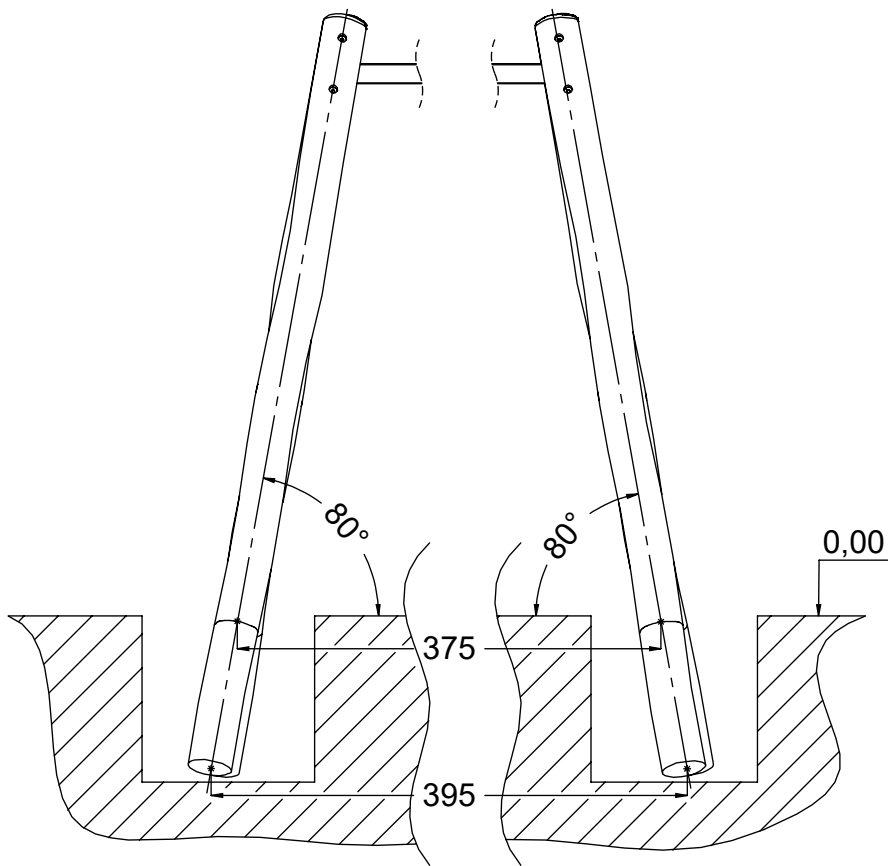
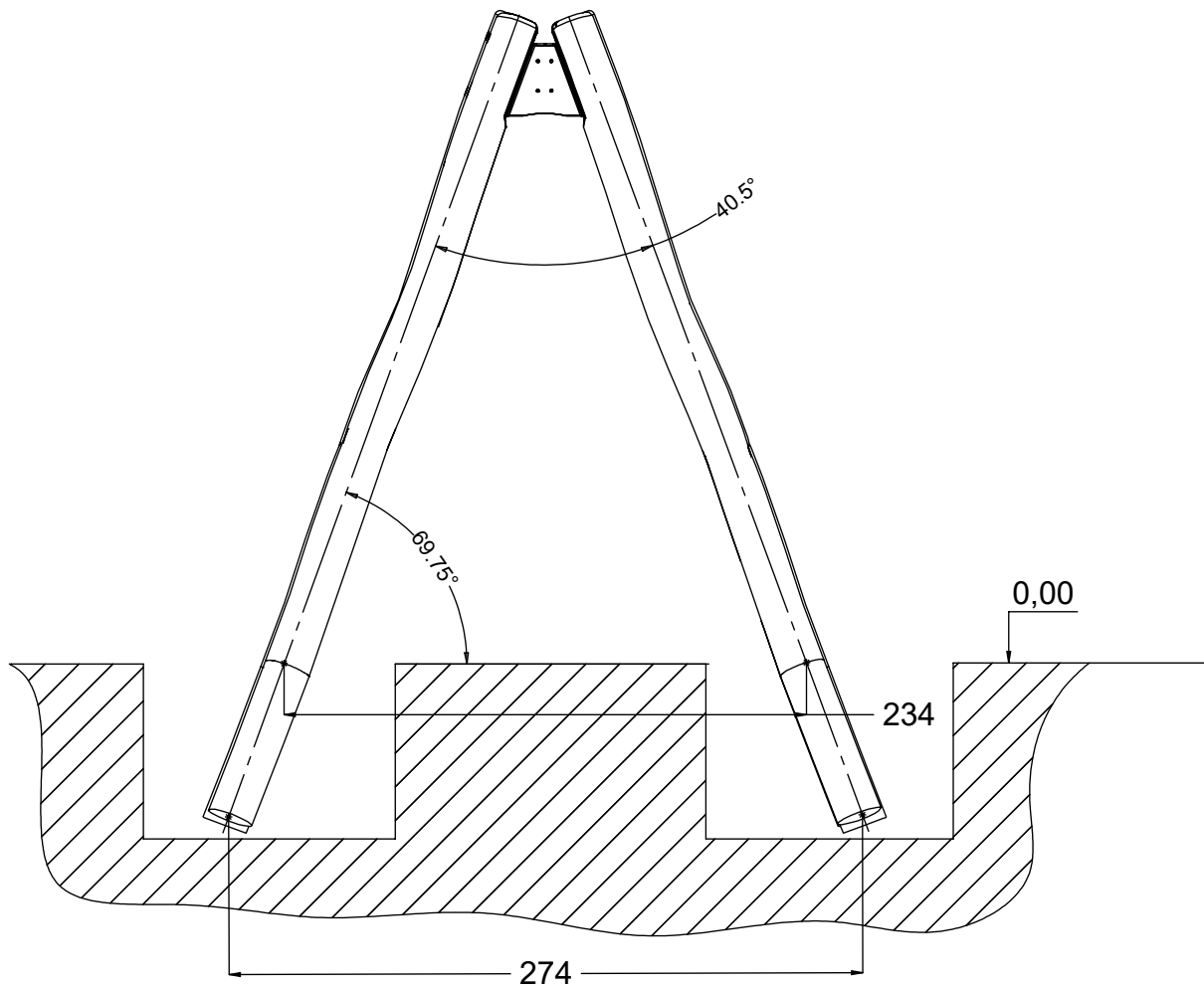
vinci
play



[cm]

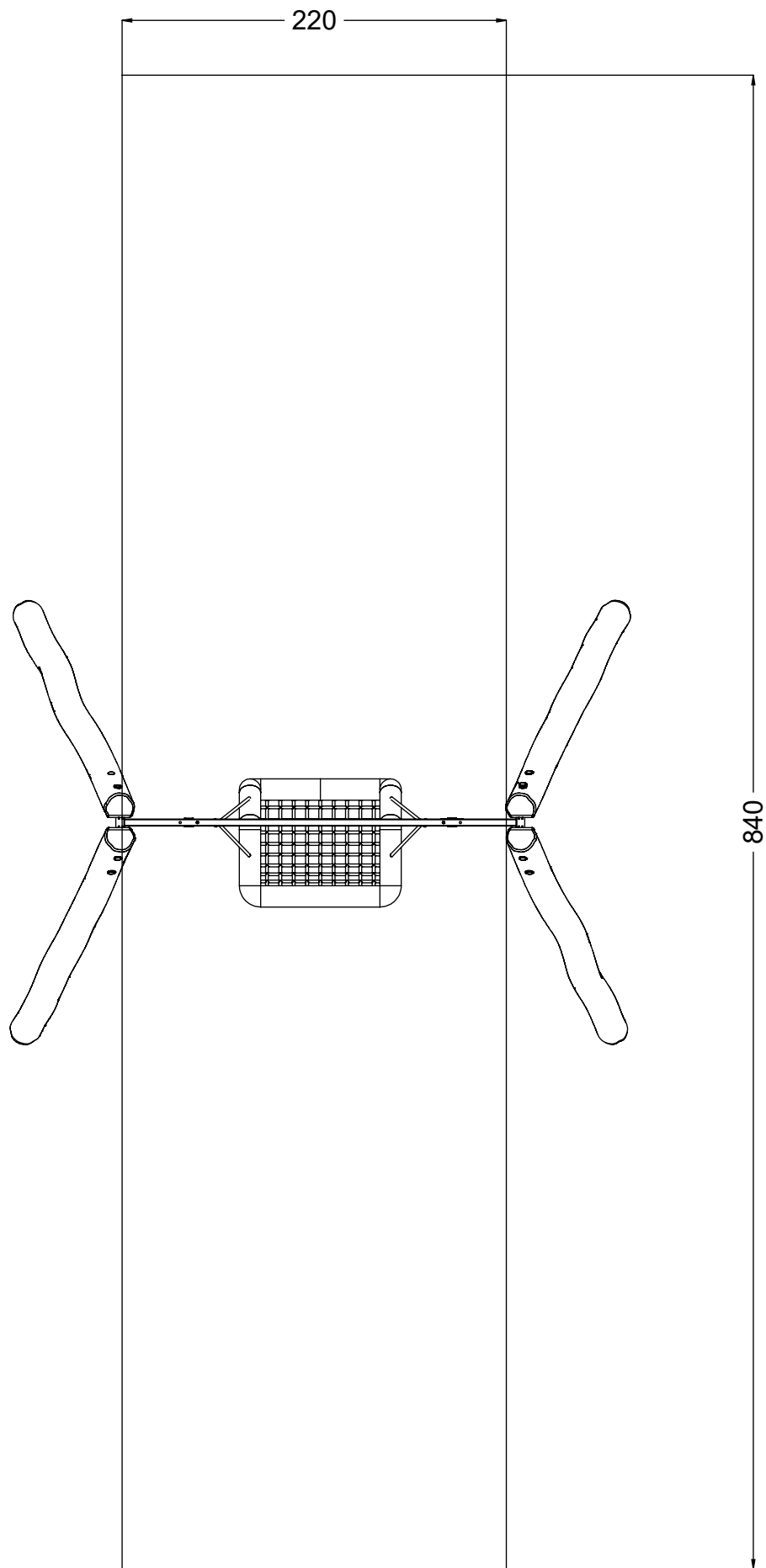


vinci
play



[cm]

vinci
play

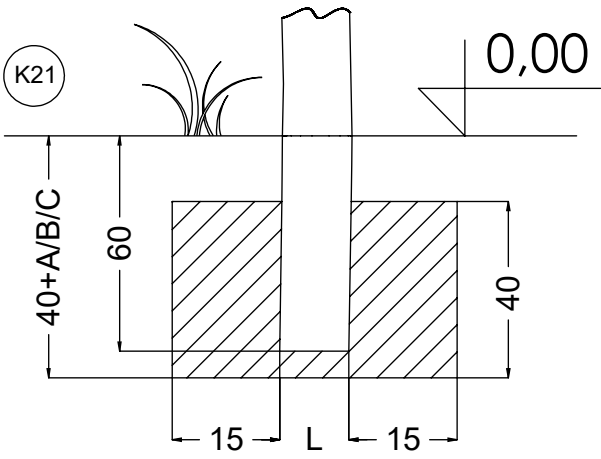


[cm]

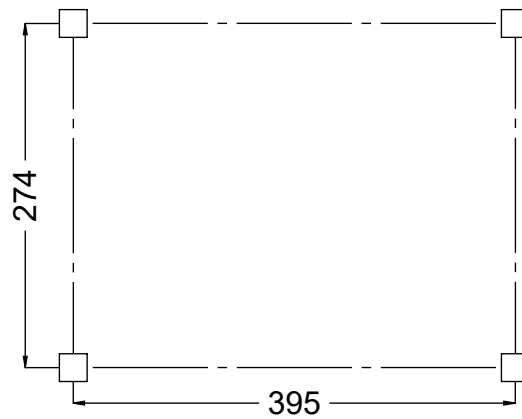
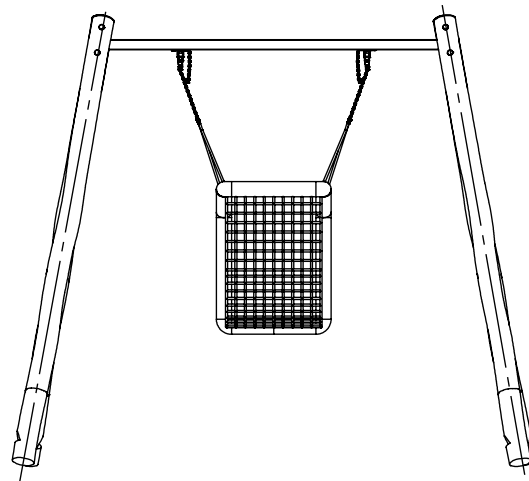
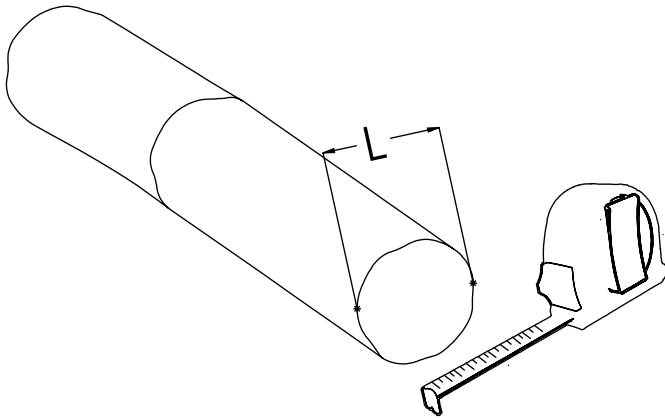
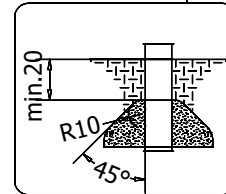
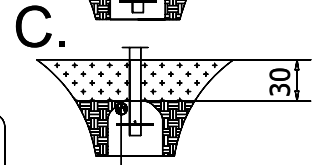
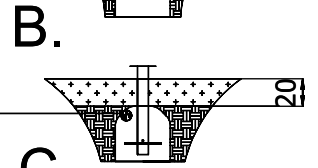
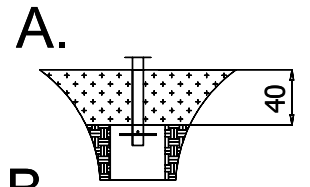


vinci
play

K21



48h



[cm]



2h



48h

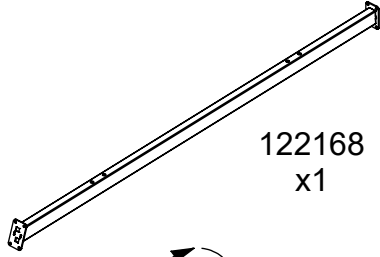


K21
x4
>0,06m³

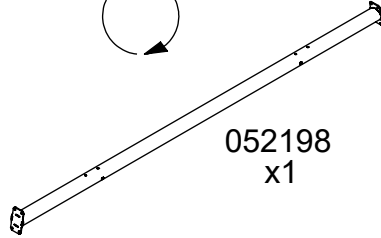
vinci
play



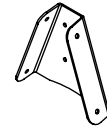
127498
x4



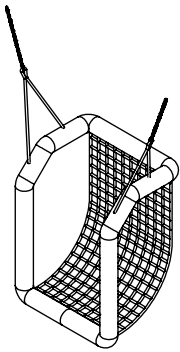
122168
x1



052198
x1

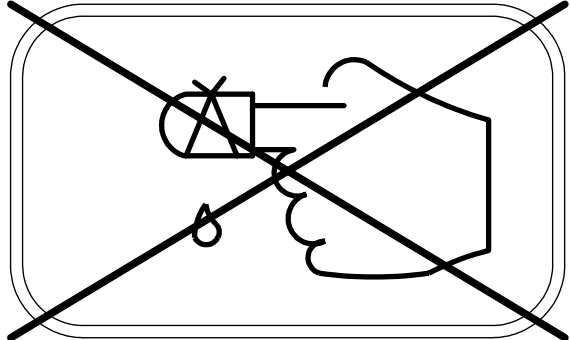
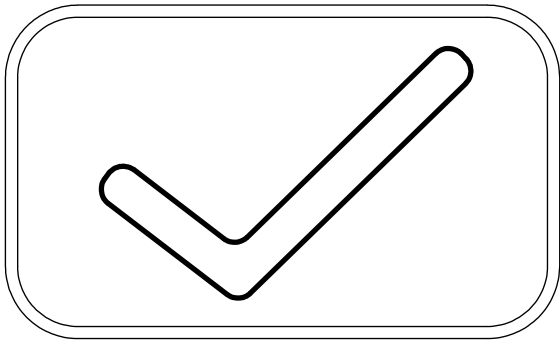
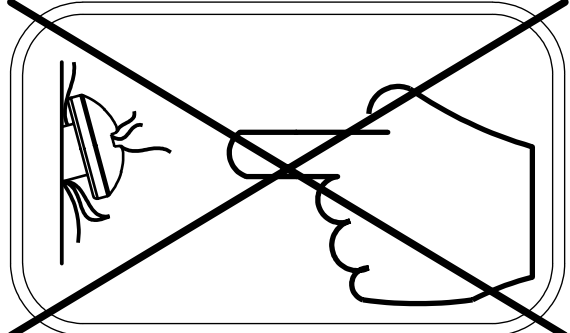
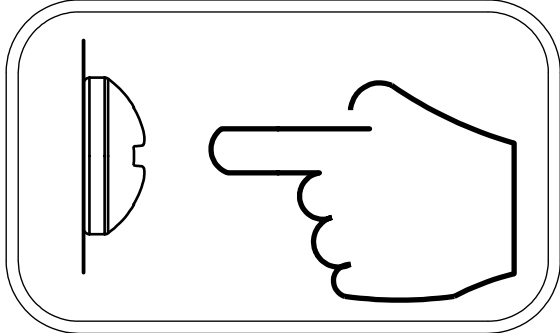
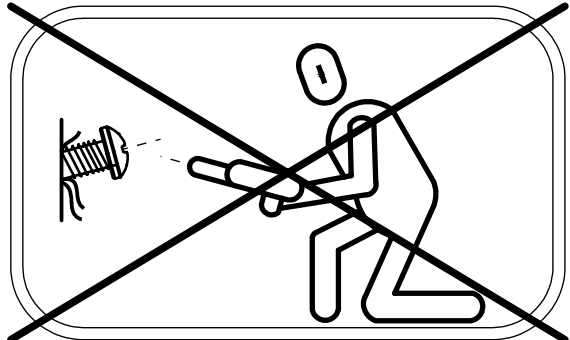
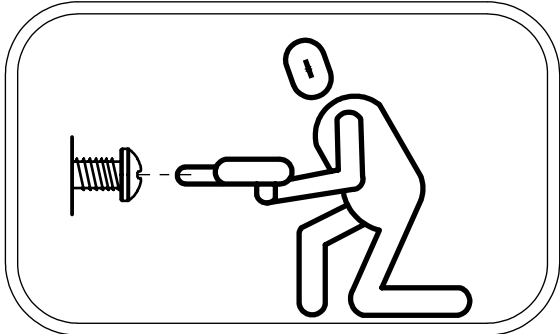


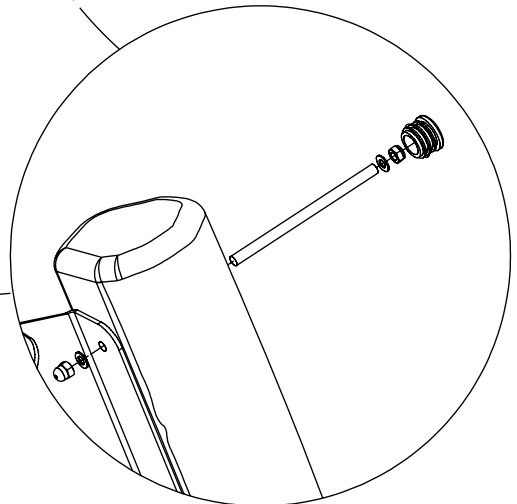
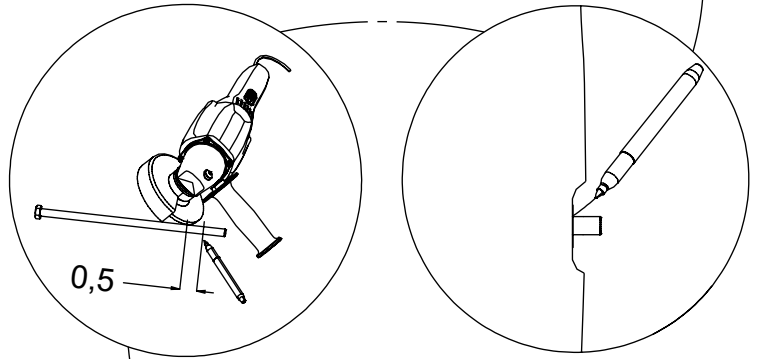
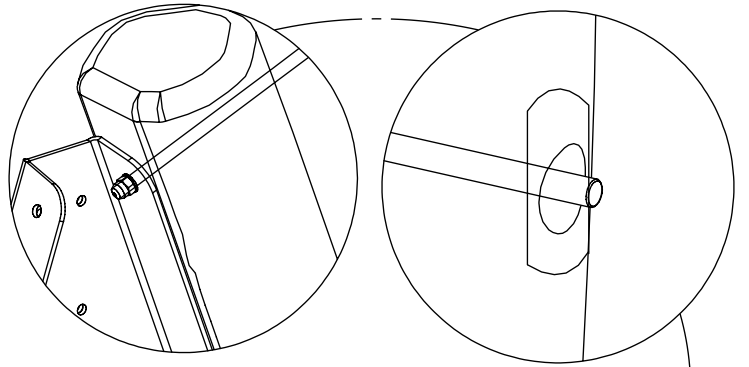
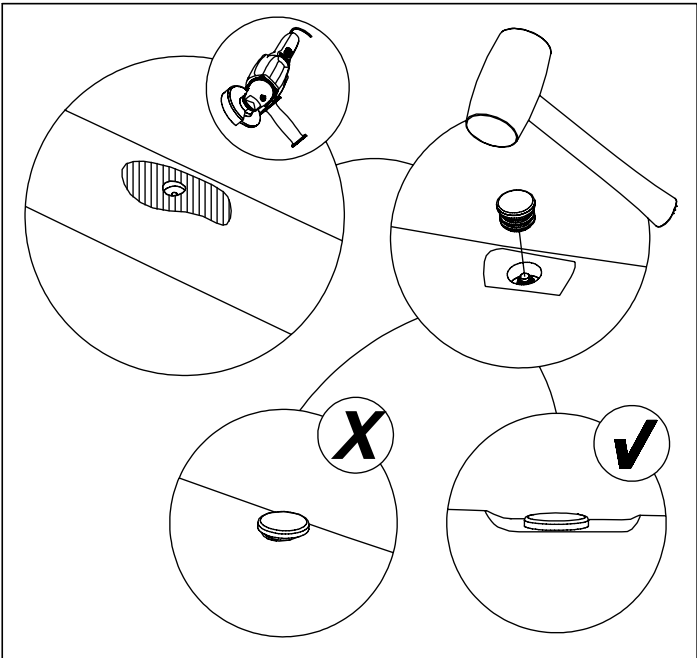
b66-5
x2



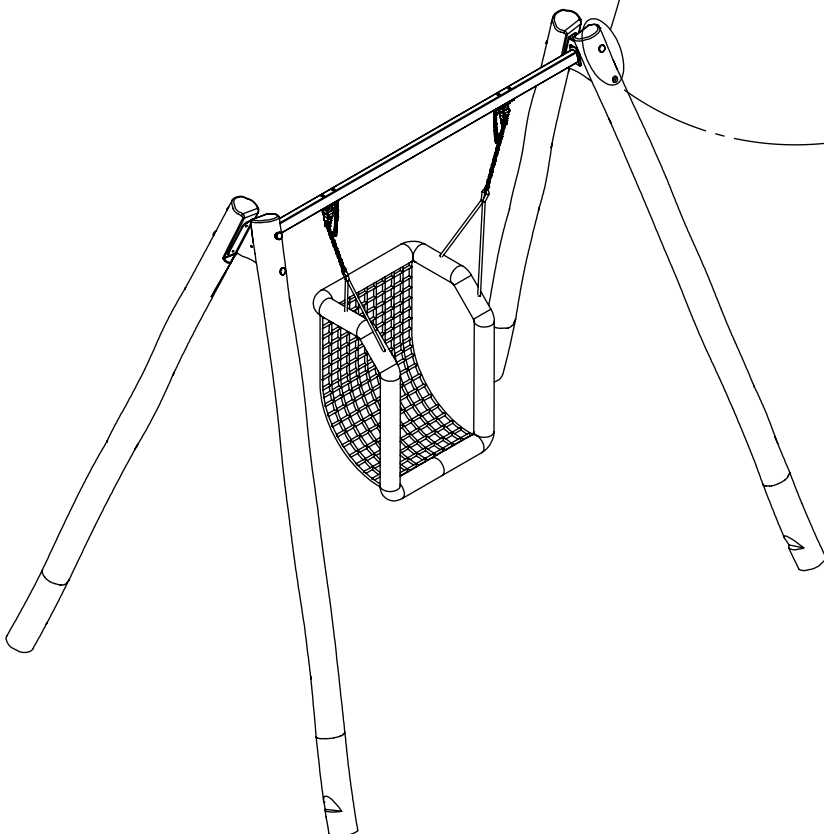
056114
x1

| | |
|----|--------|
| 2x | 12e017 |
| 1x | E60 |
| 1x | E63 |
| 1x | E292 |
| 1x | E317 |
| 1x | V001 |



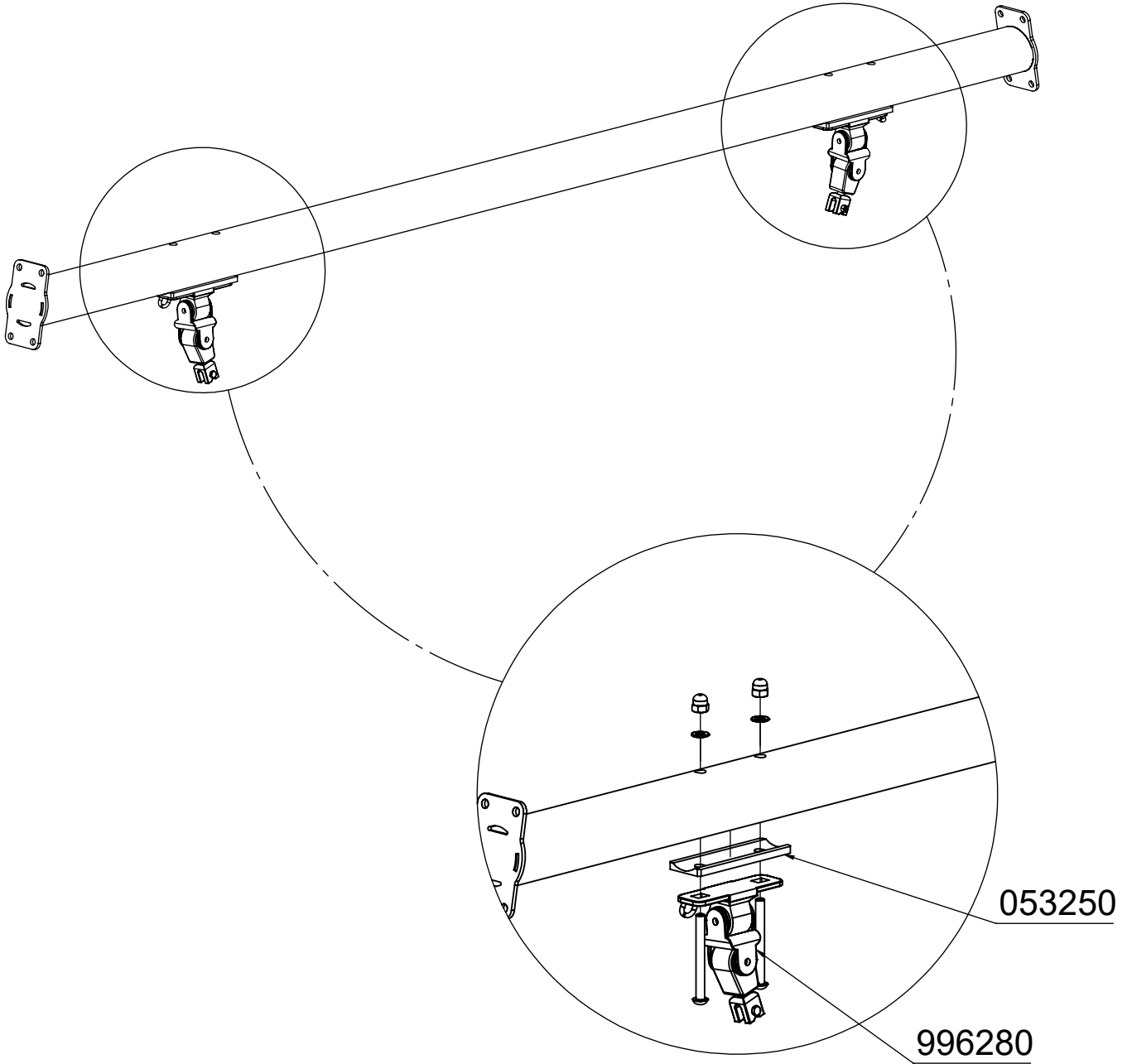


2x 12e017



[cm]

vinci
play

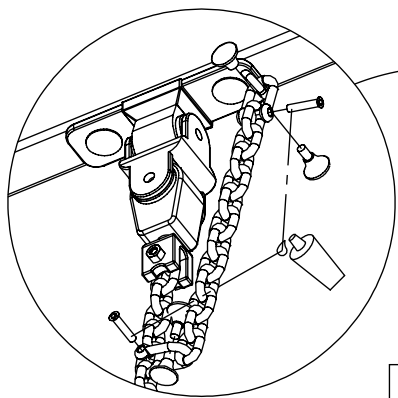


E292

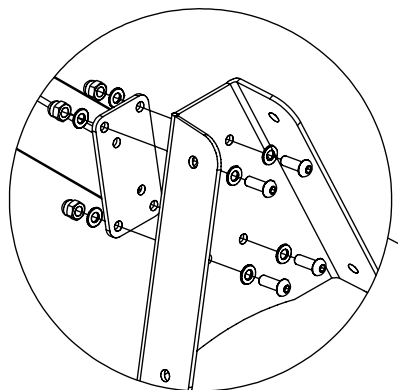
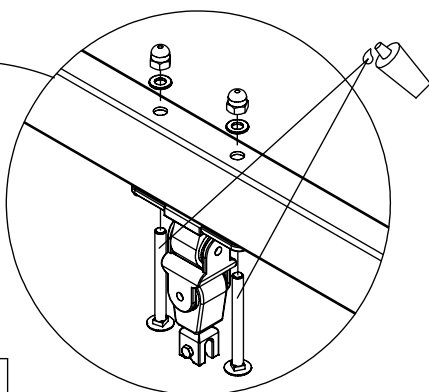
E317

[cm]

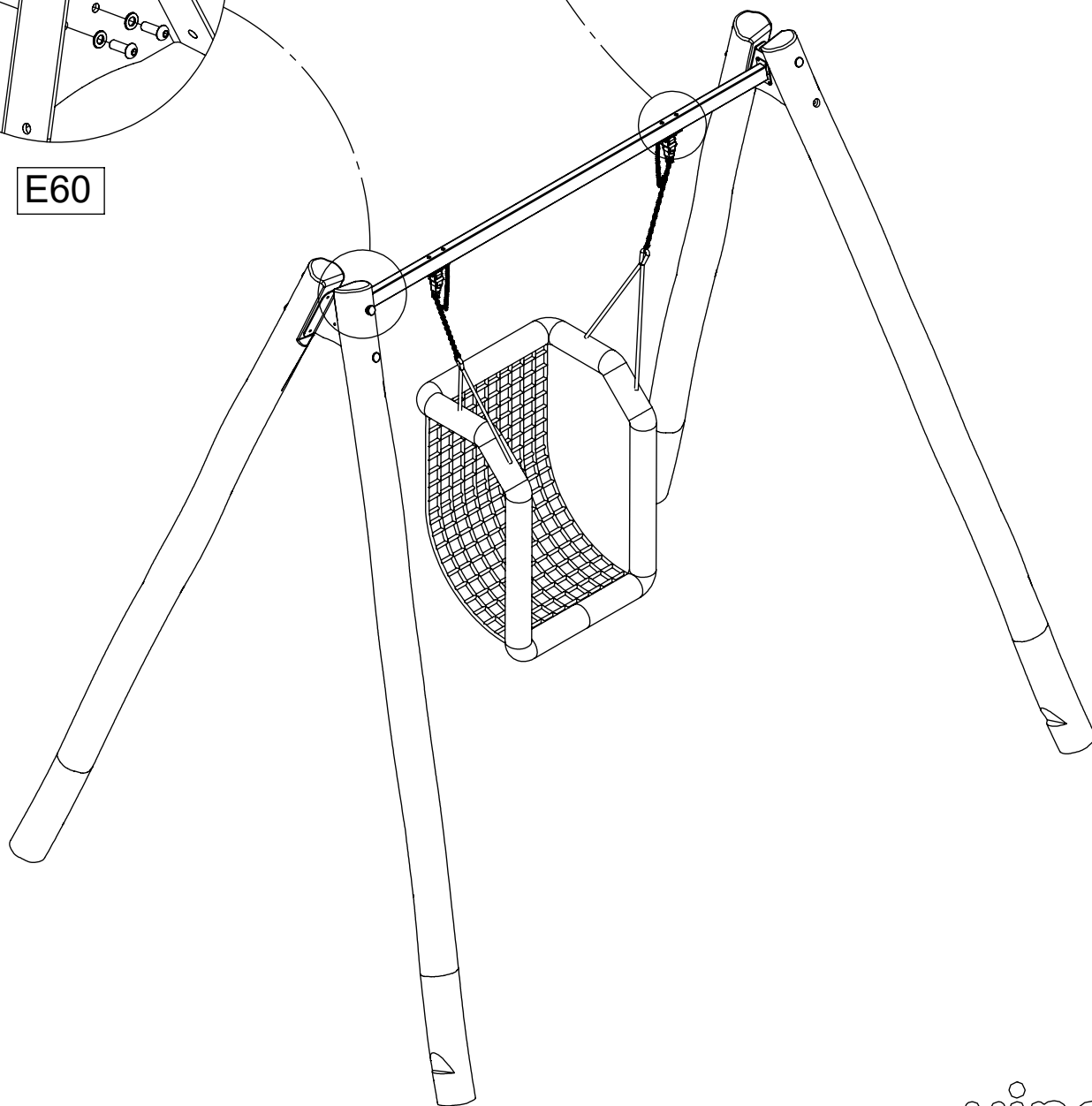
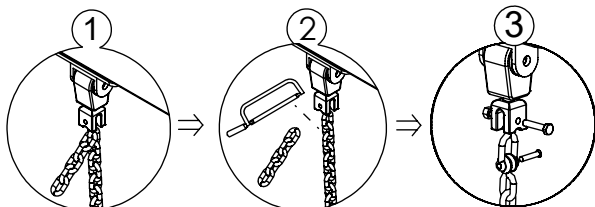
vinci
play



E63



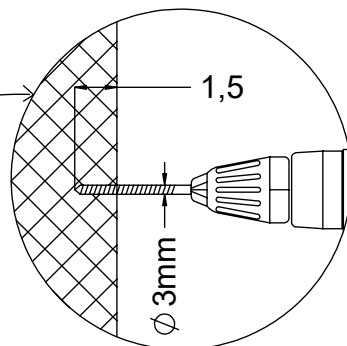
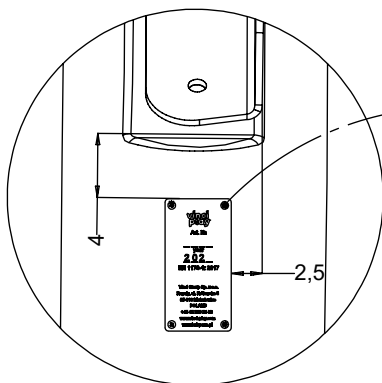
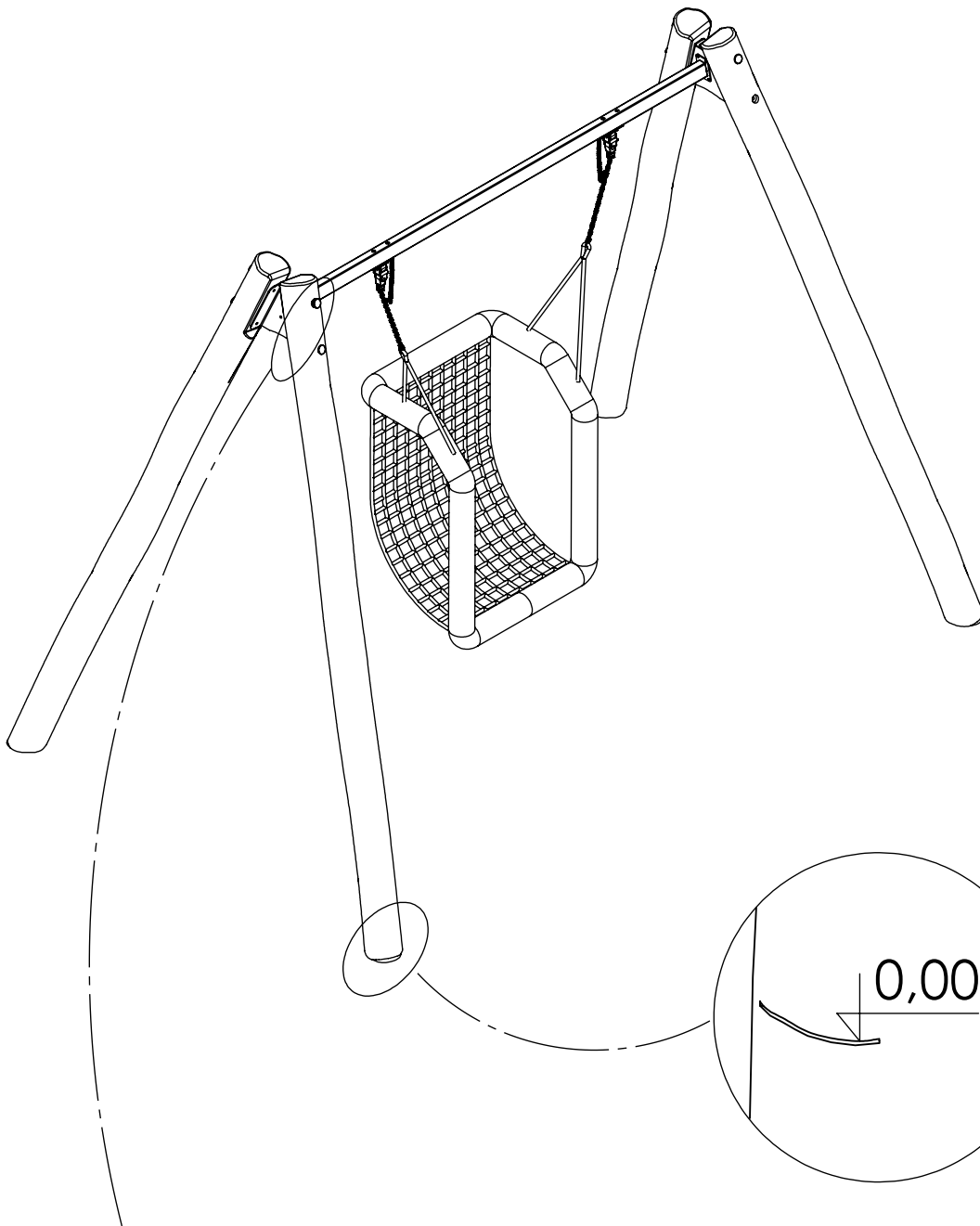
E60



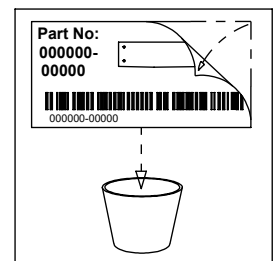
[cm]



vinci play



V001



[cm]

vinci
play