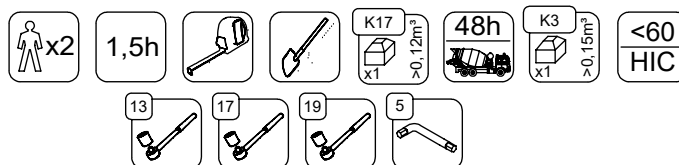
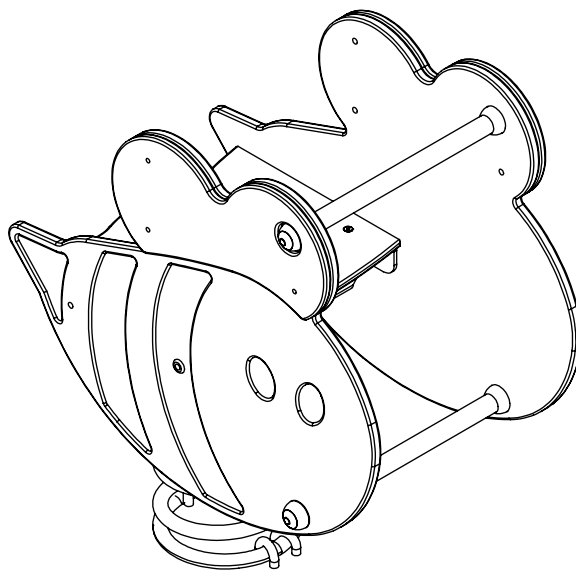
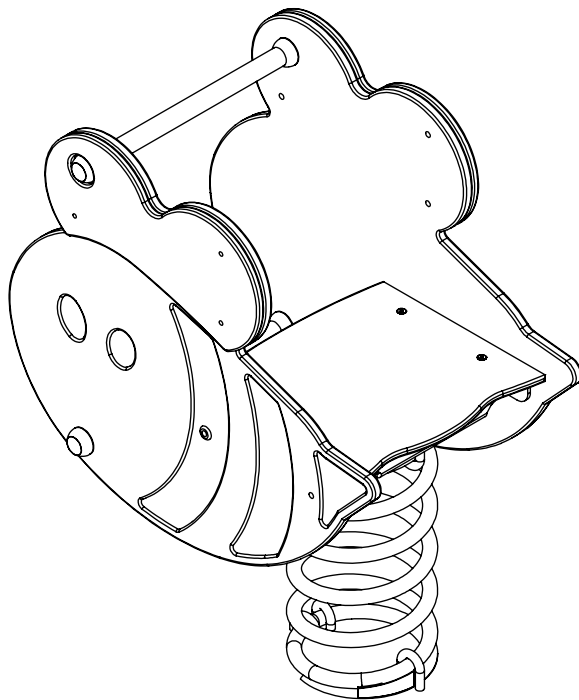
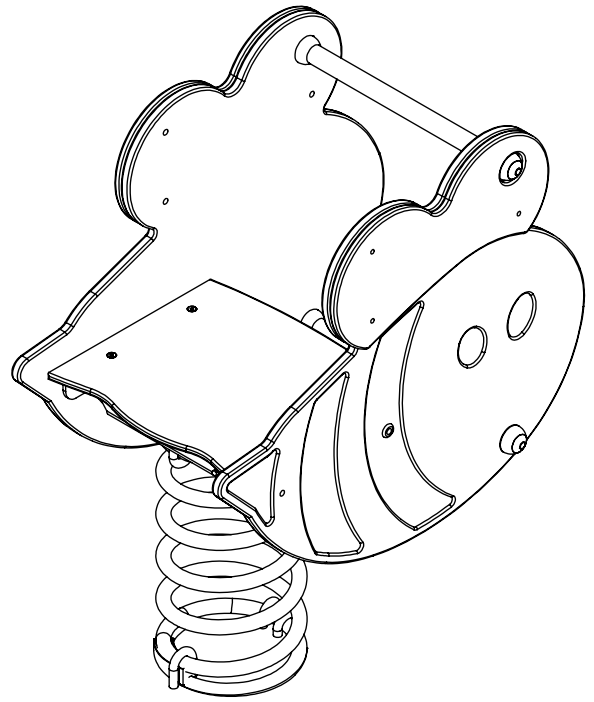


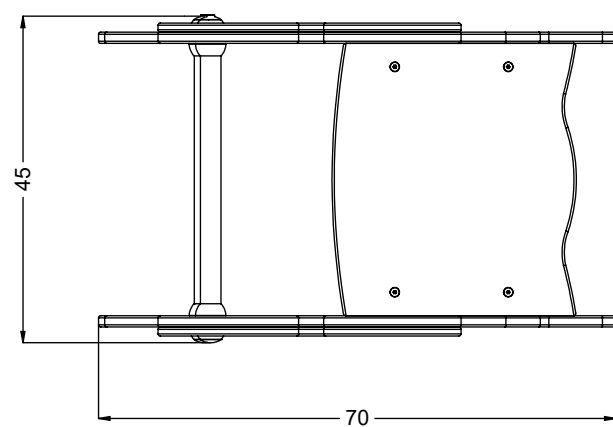
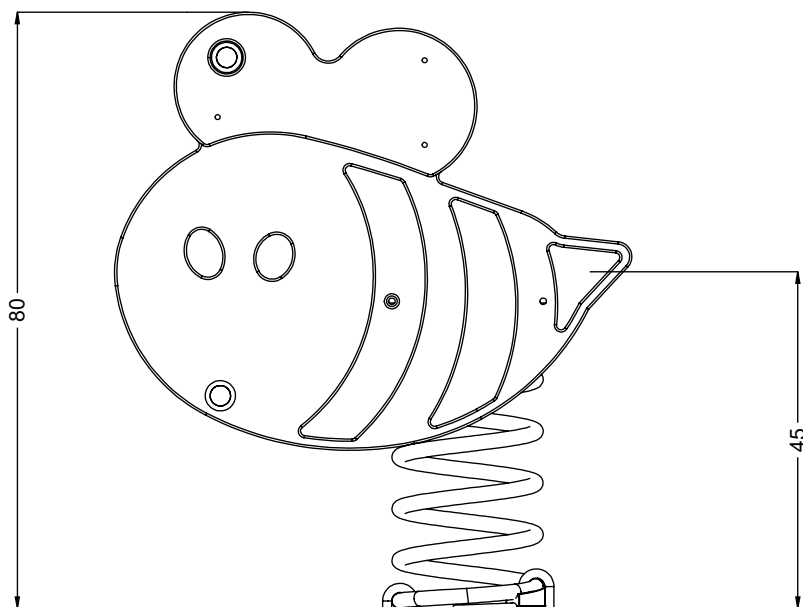
0608-2 / RC0608



v010
30.11.2021
A.D.
[cm]

vinci
play

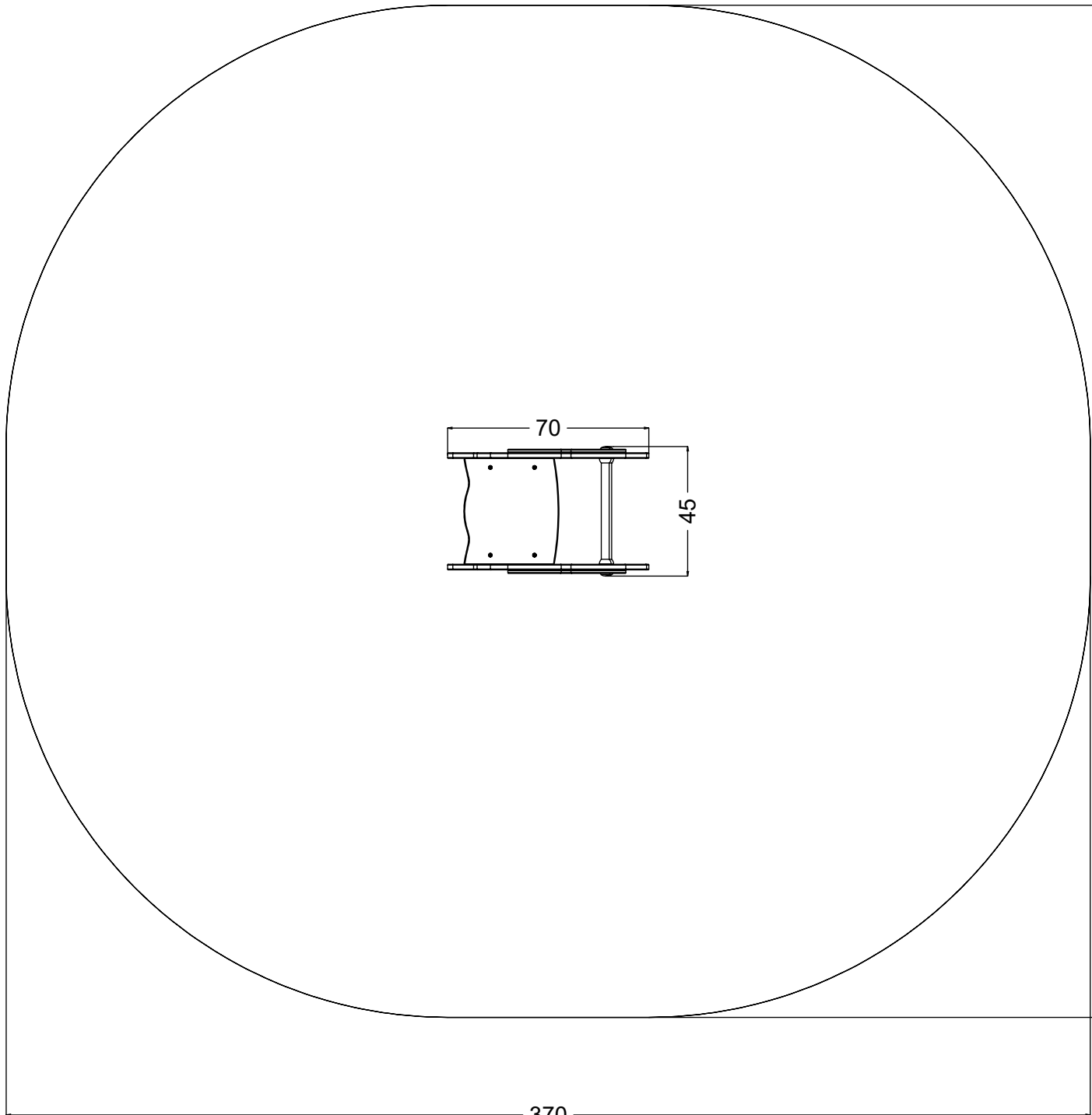




[cm]



vinci
play

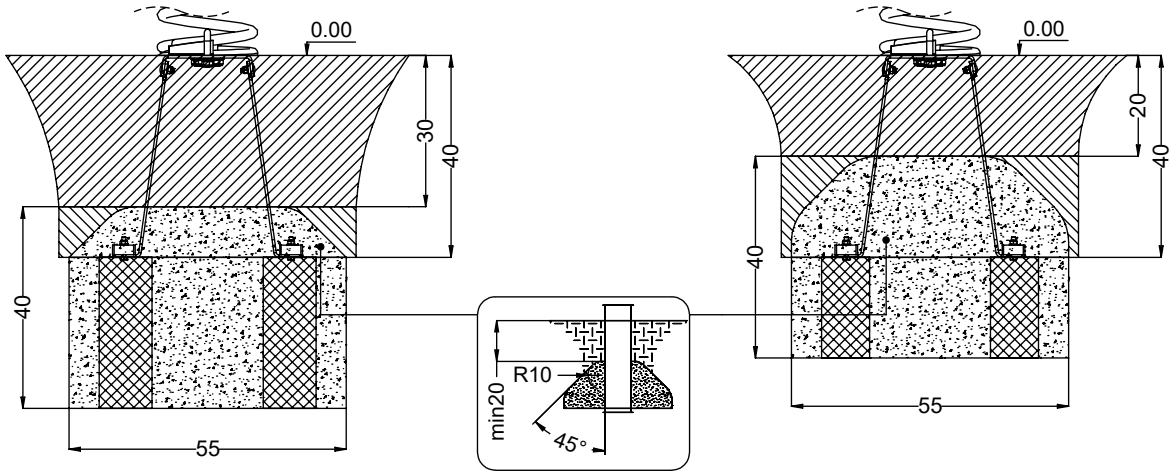


[cm]






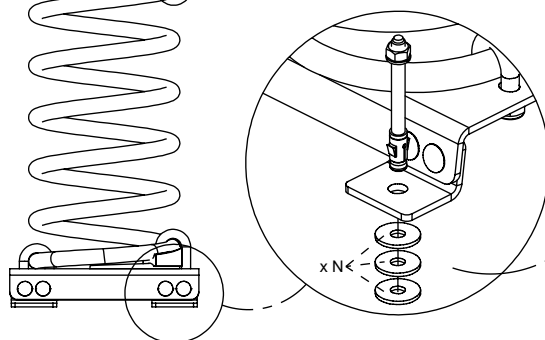
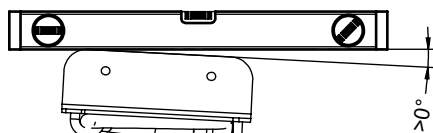
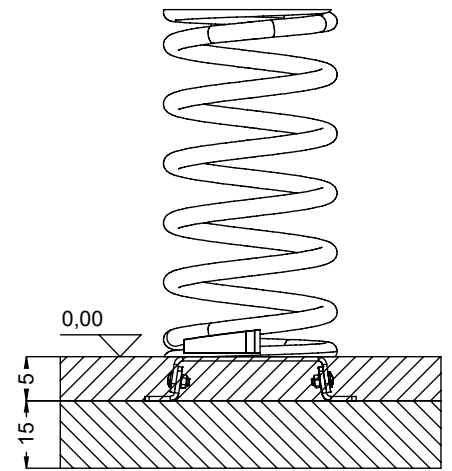
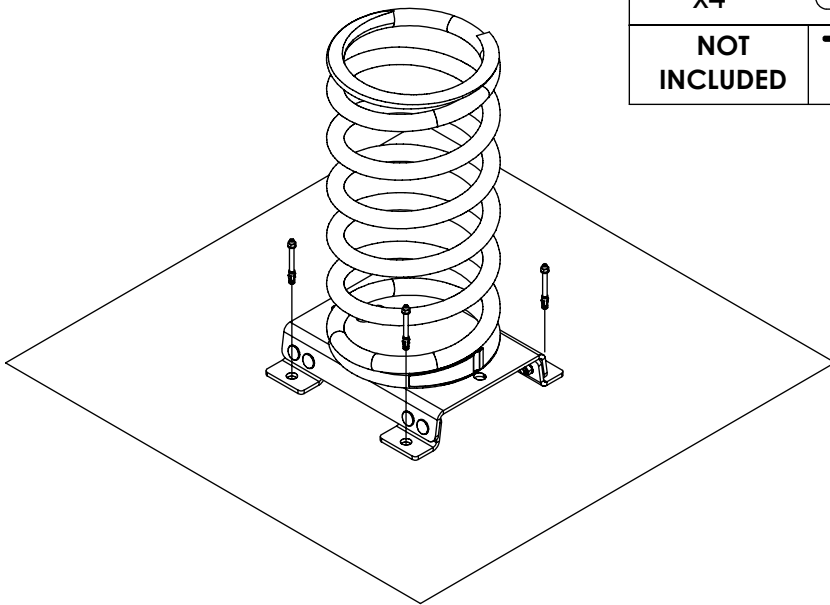
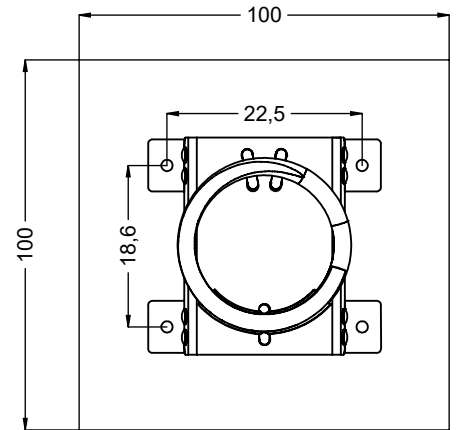
vinci
play

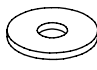

K17



K3

	K3
M10x120 x4	
NOT INCLUDED	




M10 DIN 9021
NOT INCLUDED 

[cm]



1,5h

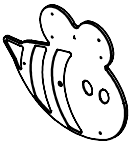


>0,12m³



>0,15m³

vinci play



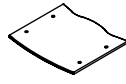
061256
x1



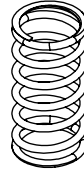
061257
x1



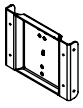
061258
x2



061144
x1



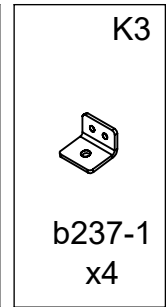
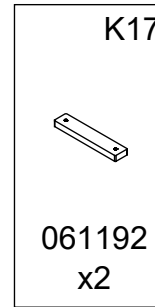
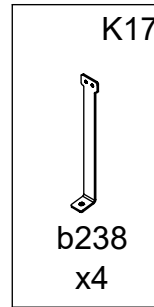
993119
x1



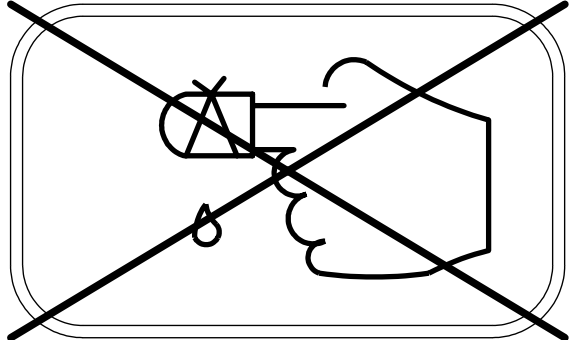
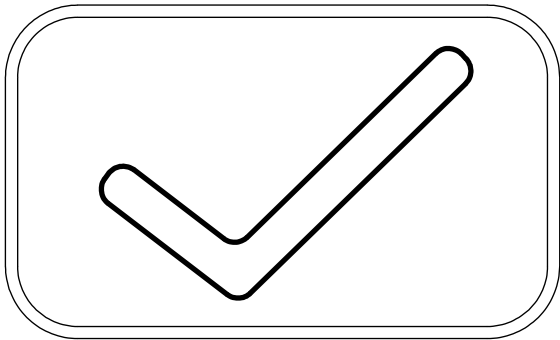
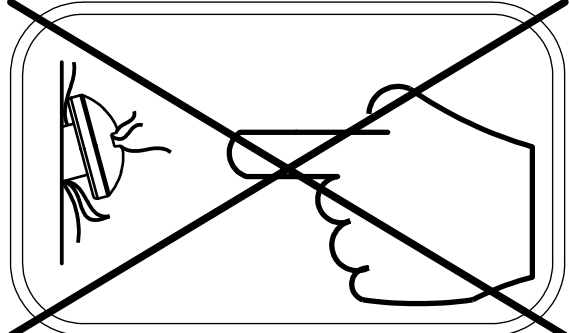
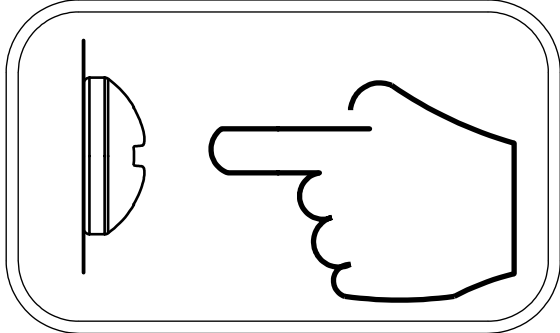
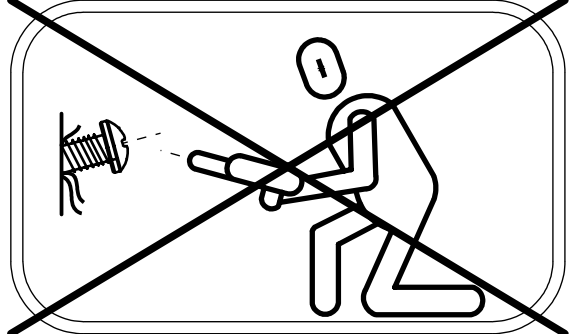
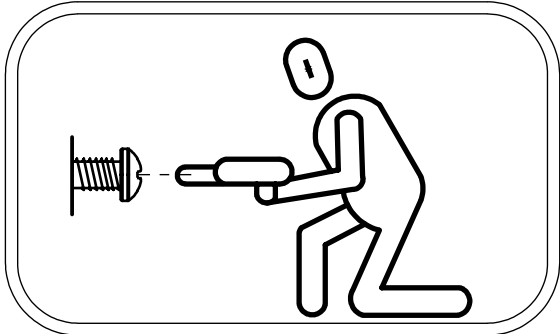
b233
x1



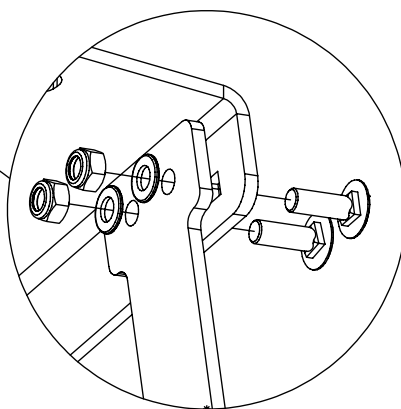
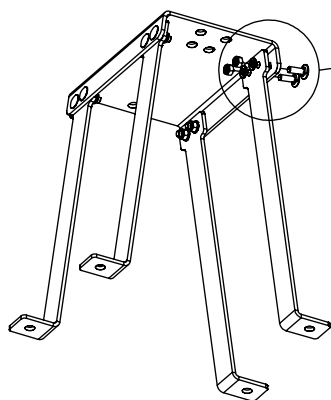
b239
x1



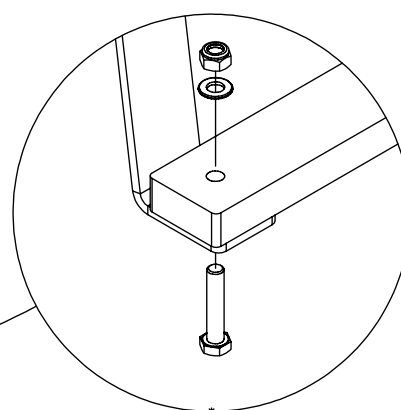
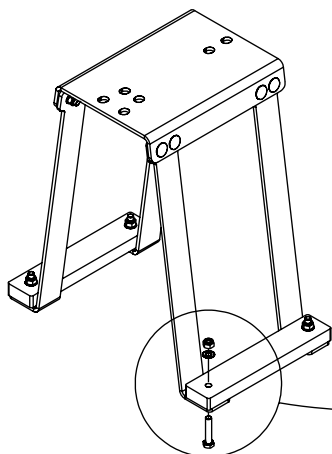
ST/INOX		HDPE	
1x	SP3 _(K17)	1x	SP10
1x	SP1 _(K3 K17)	1x	SP11
2x	SP2	1x	SP12
1x	V001	1x	SP24
		1x	SP70 _(C12)
		1x	SP96 _(C11)
		1x	SP96Q _(C11Q)



K17

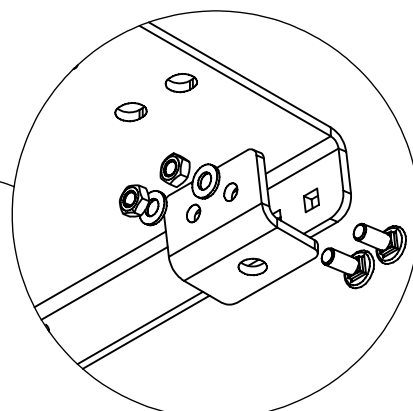
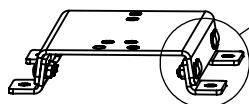


SP1 x1



SP3 x1

K3

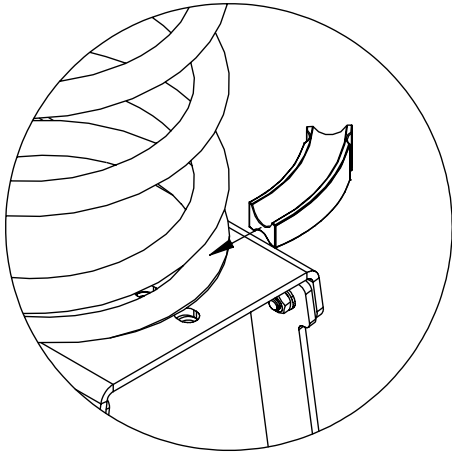


SP1 x1

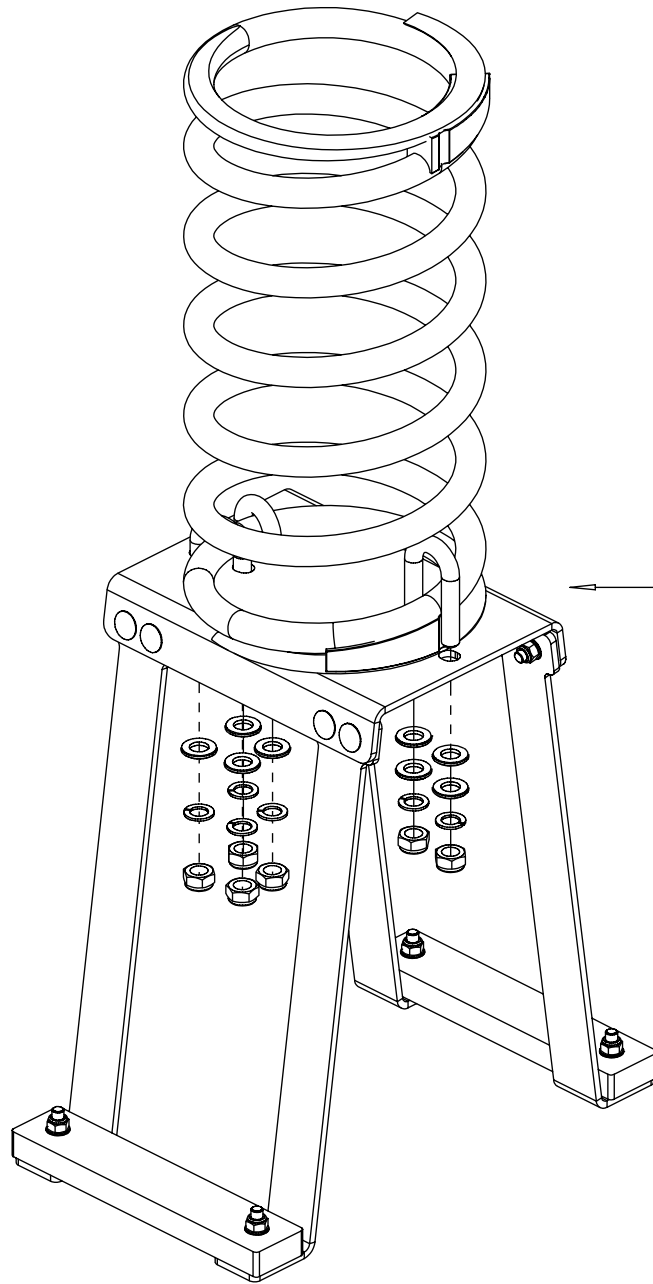
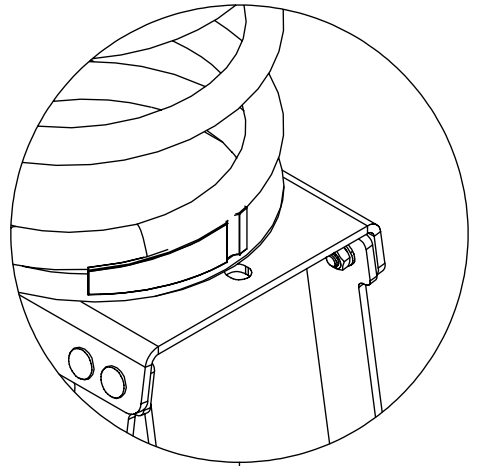
[cm]



vinci
play



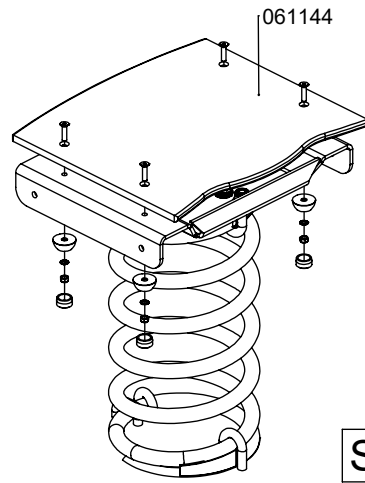
SP2 x1



[cm]



vinci
play



SP10 x1

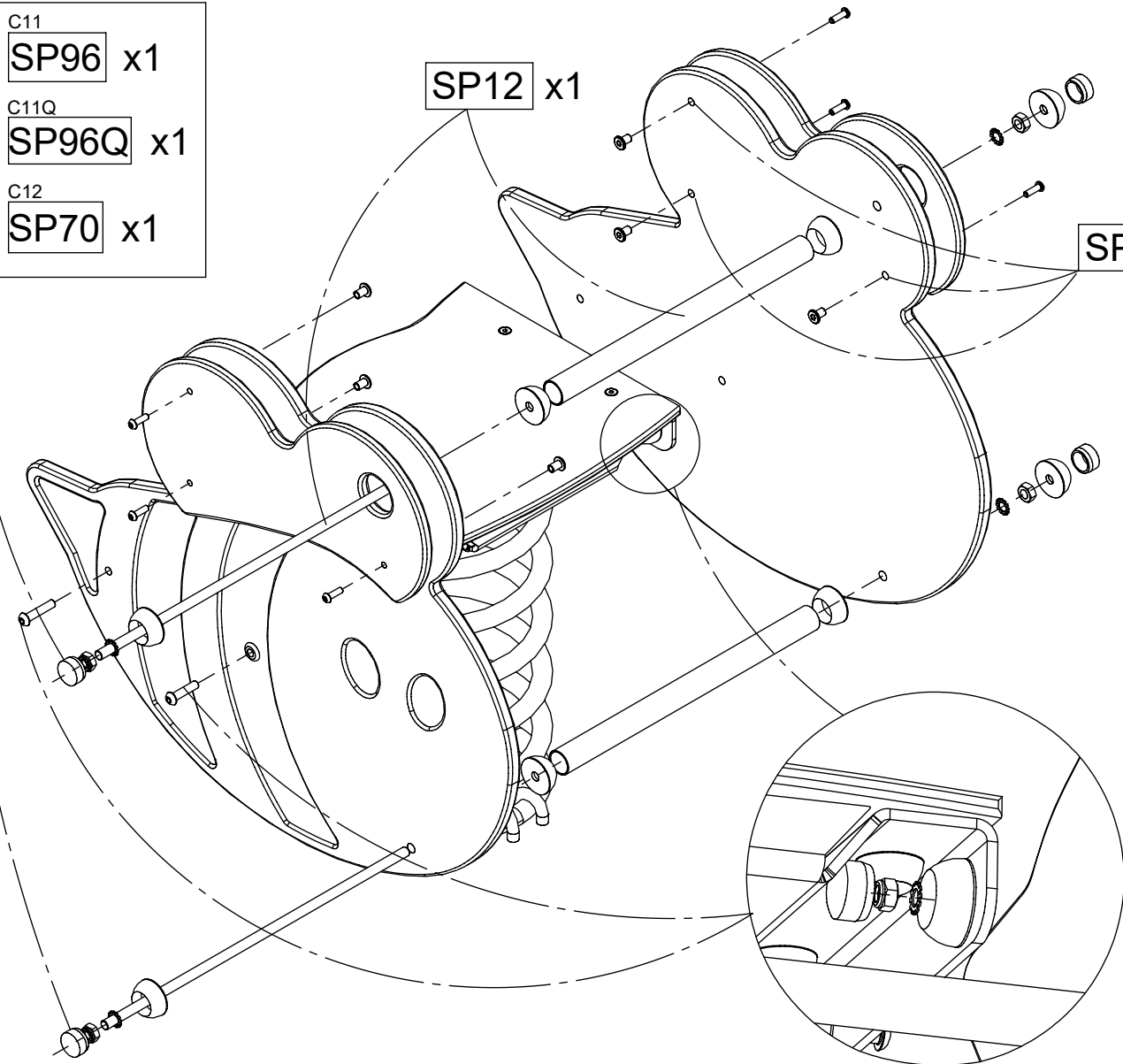
C11
SP96 x1

C11Q
SP96Q x1

C12
SP70 x1

SP12 x1

SP24 x1



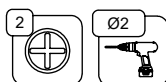
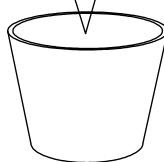
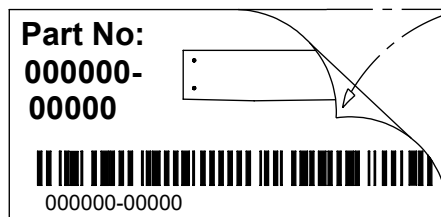
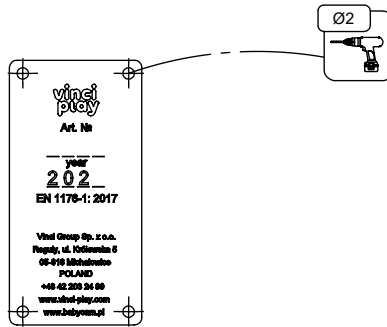
SP11 x1

[cm]



vinci
play

V001



[cm]

vinci
play