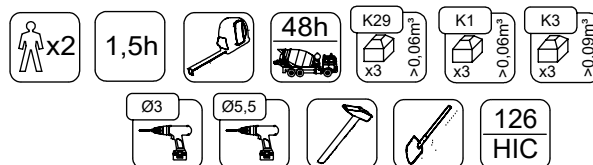
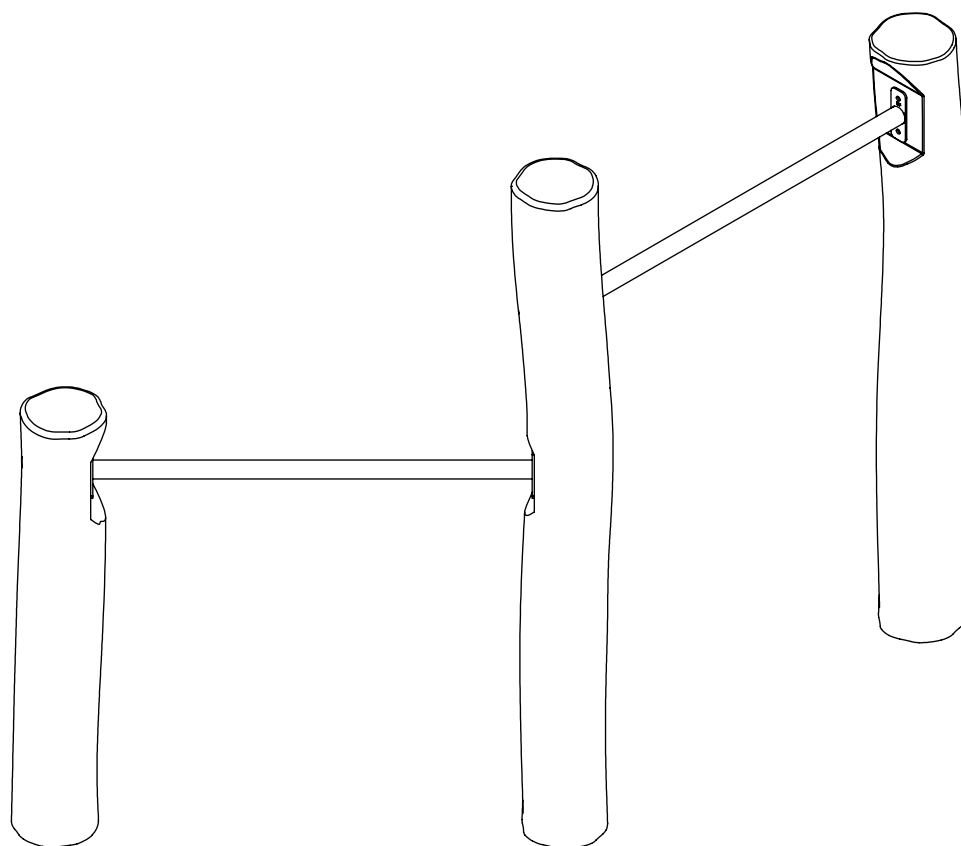
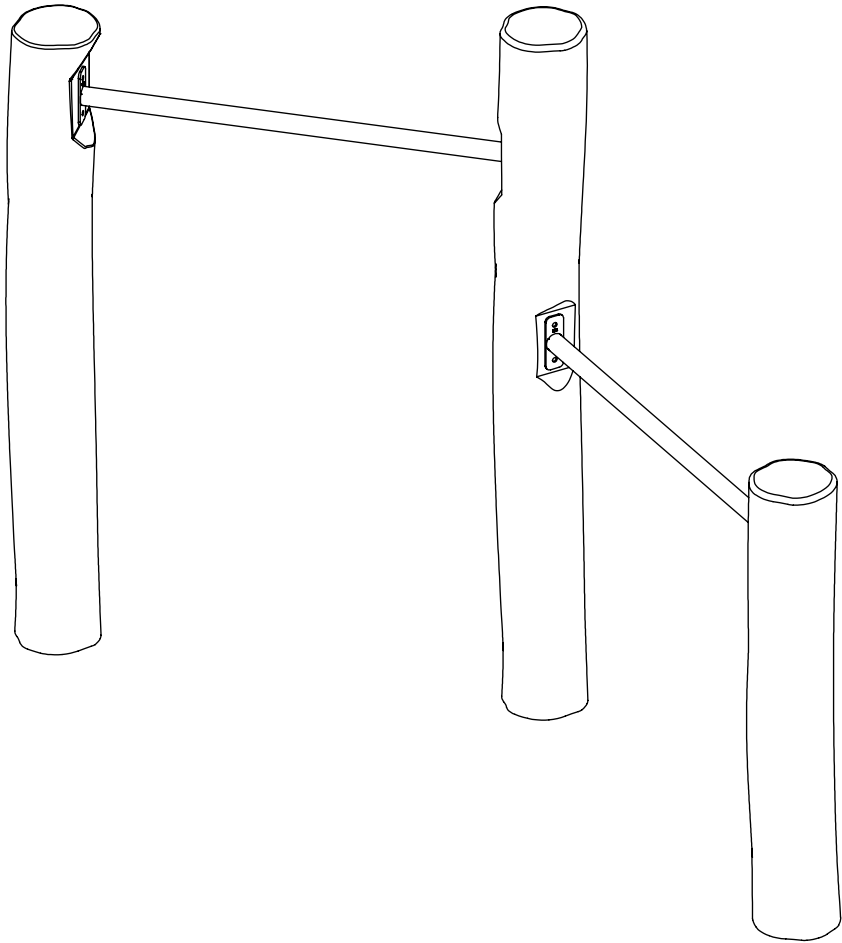
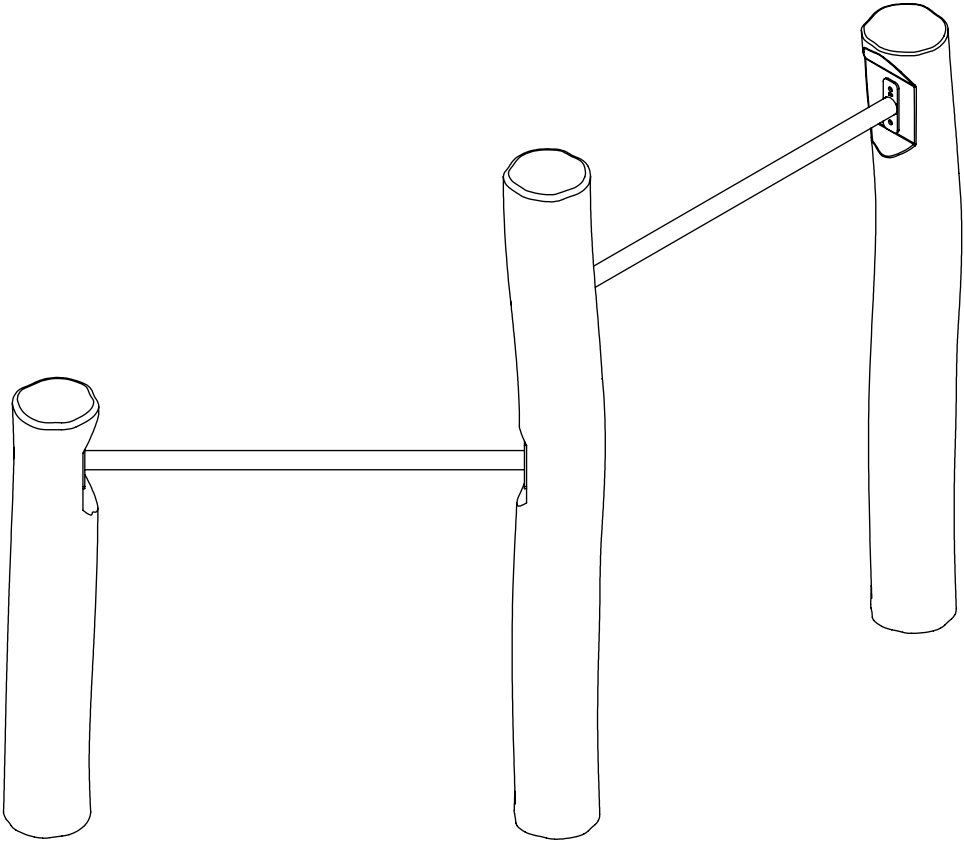


RB1264



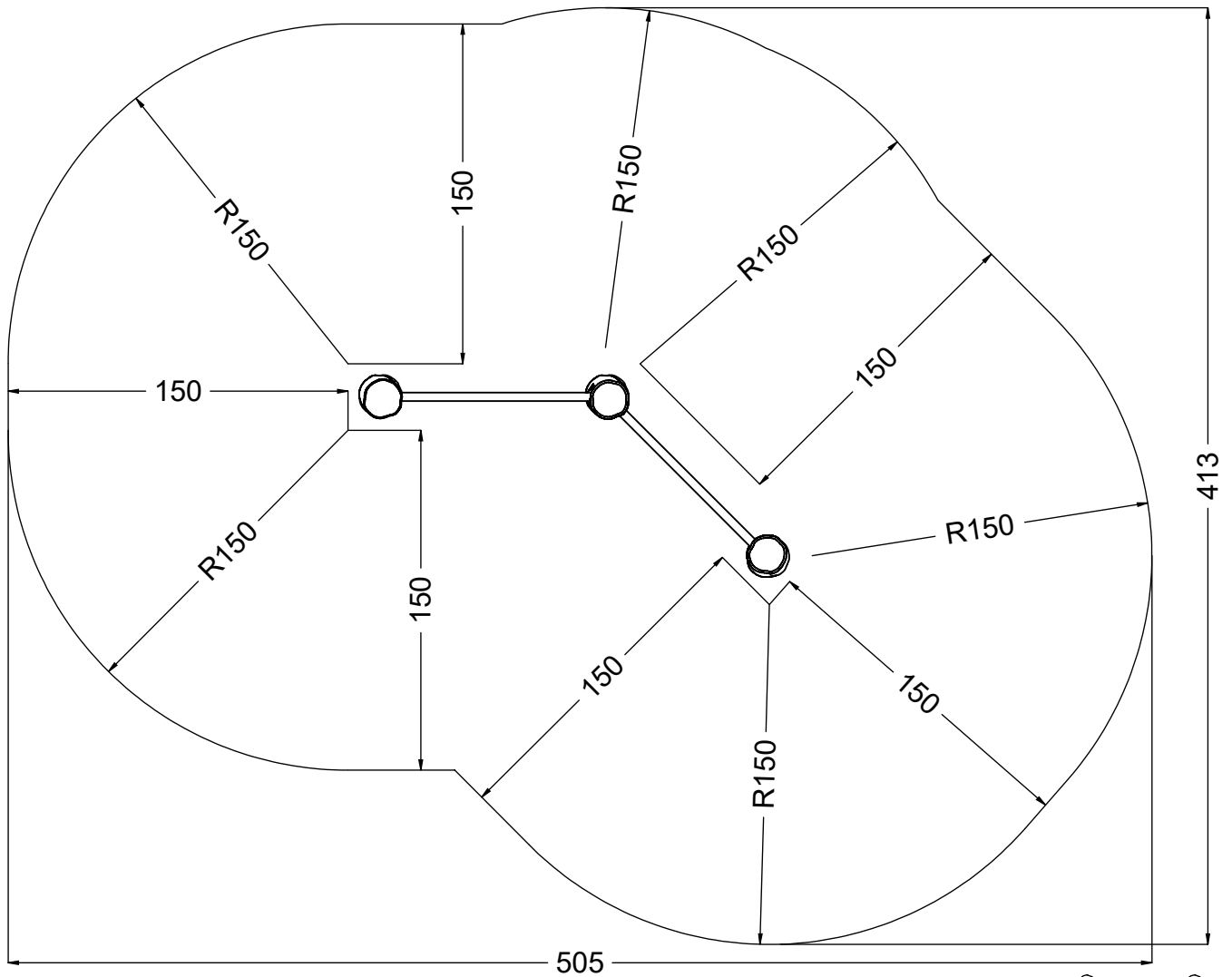
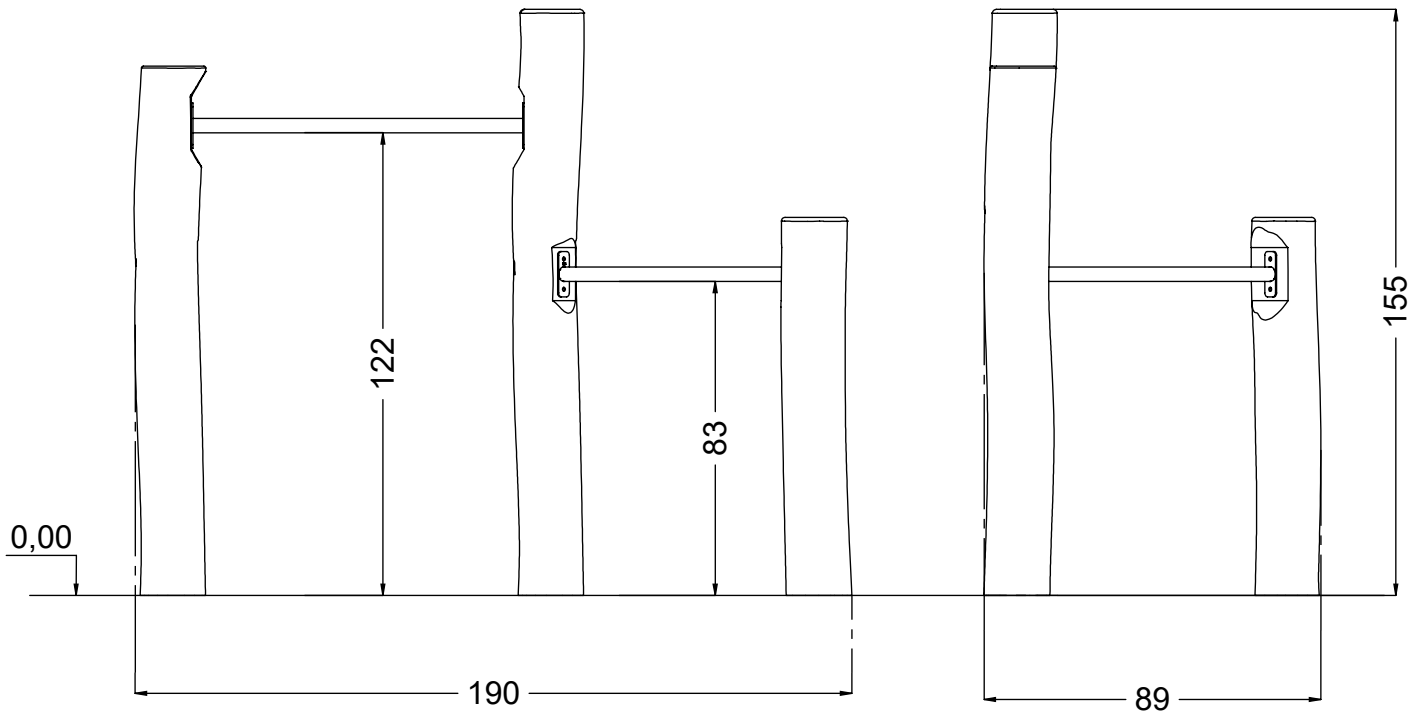
v011
27.03.2025
M.L.
[cm]

vinci
play



[cm]

vinci
play

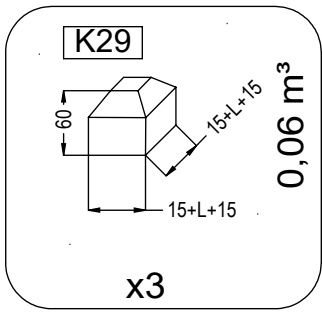
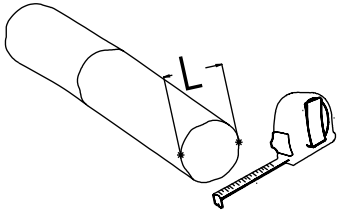
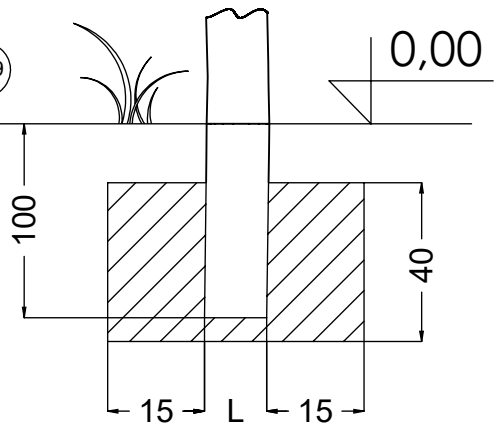


[cm]

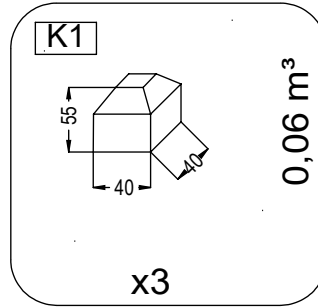
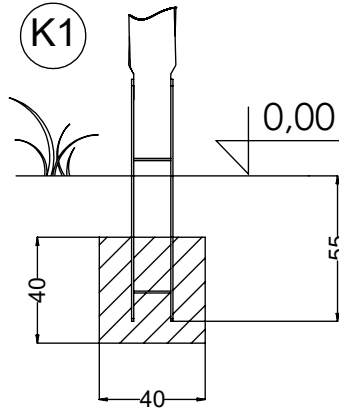


vinci
play

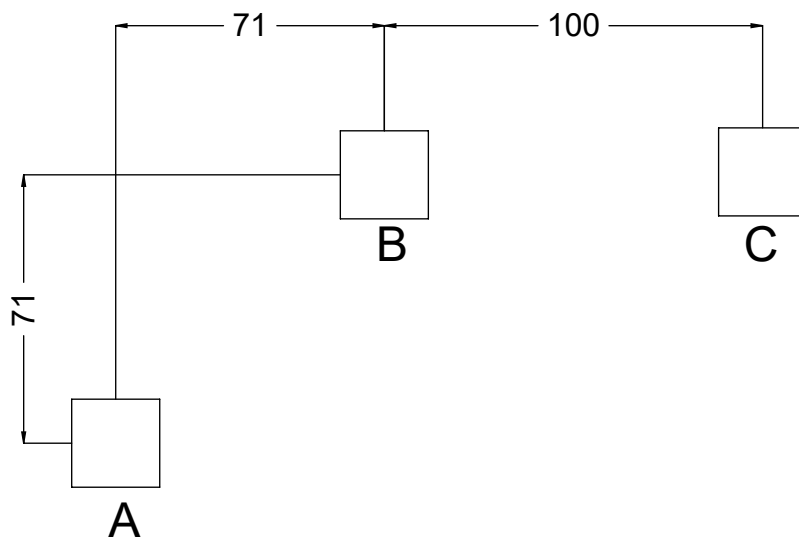
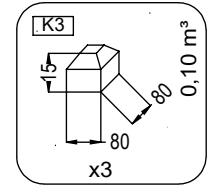
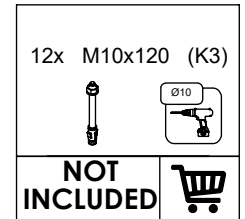
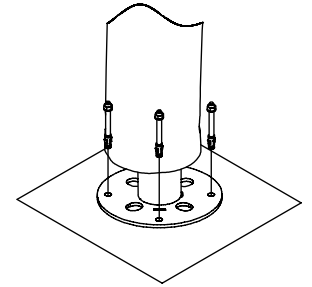
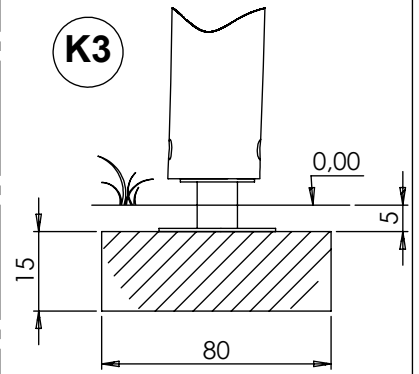
K29



K1



K3



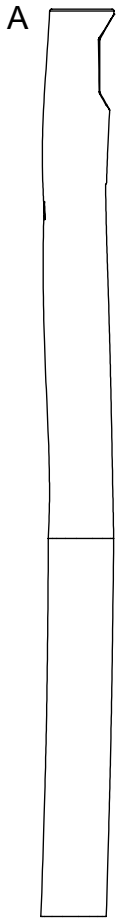
[cm]



1,5h



vinci play



127441 K29

1271470 K1,K3

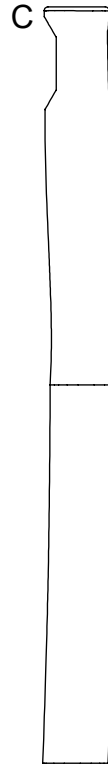
x1



127442 K29

1271471 K1,K3

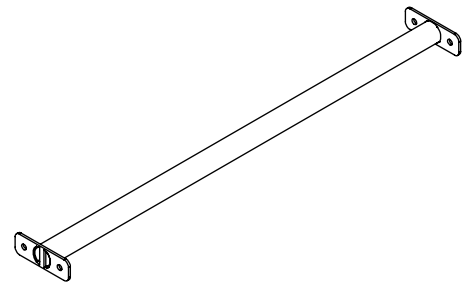
x1



127443 K29

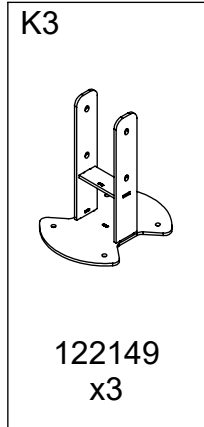
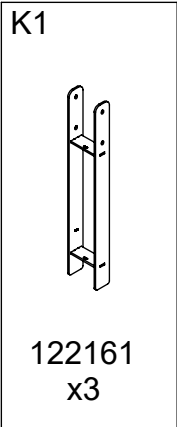
1271472 K1,K3

x1

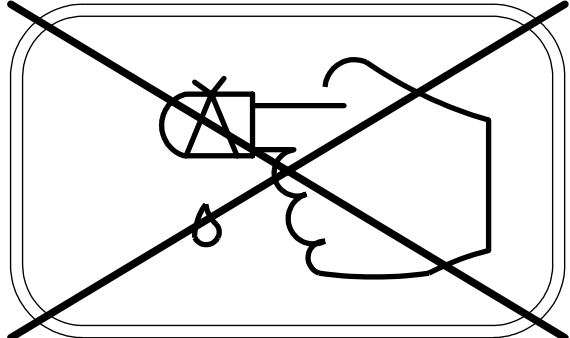
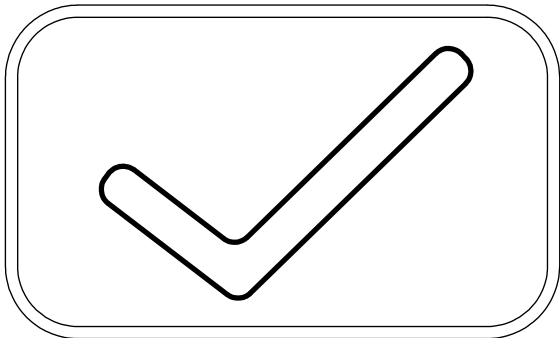
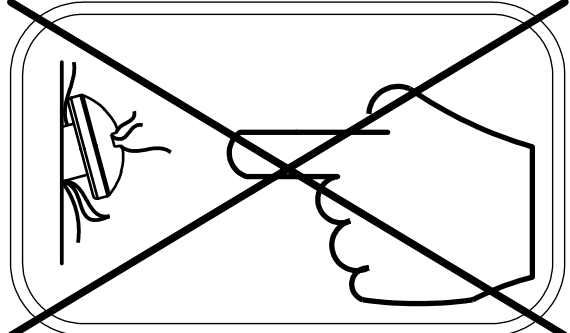
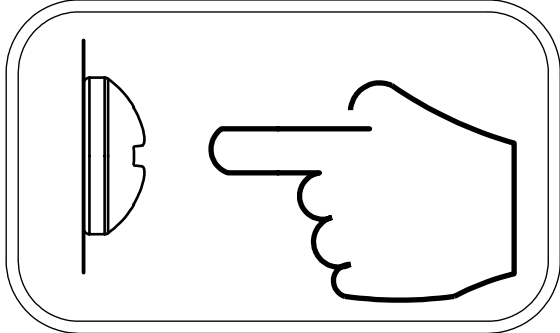
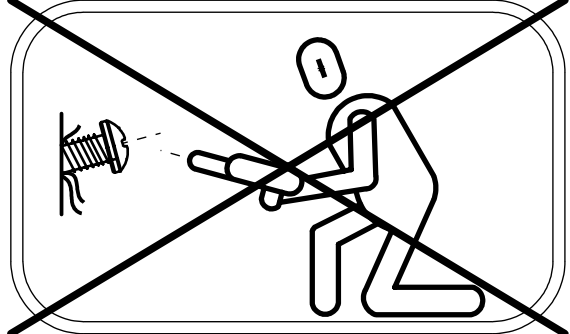
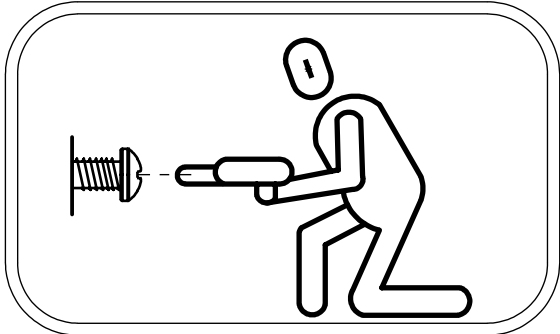


122101

x2

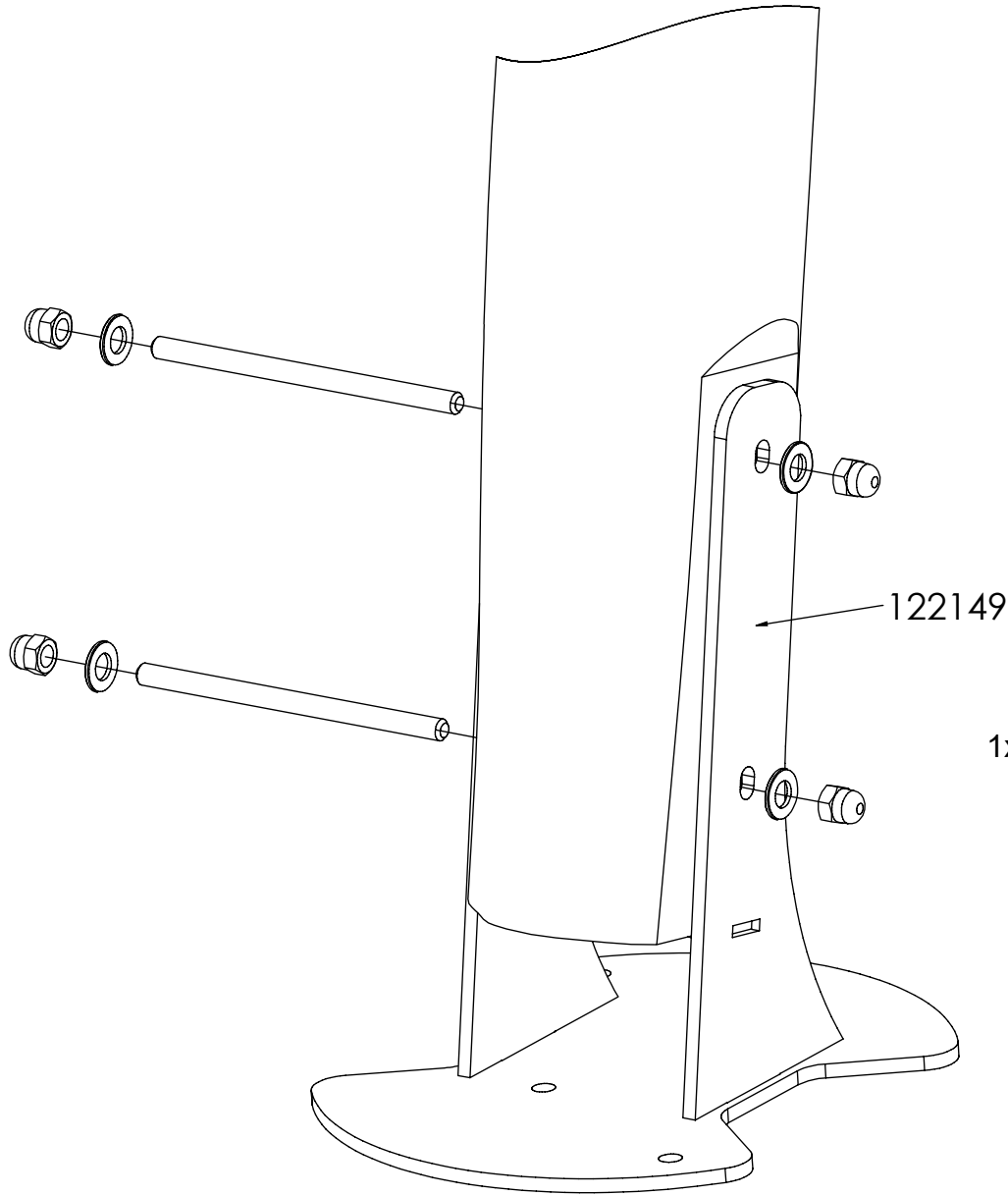


8x	8x50sxi
1x	V001
3x	12e117 (K1,K3)



K3

3x

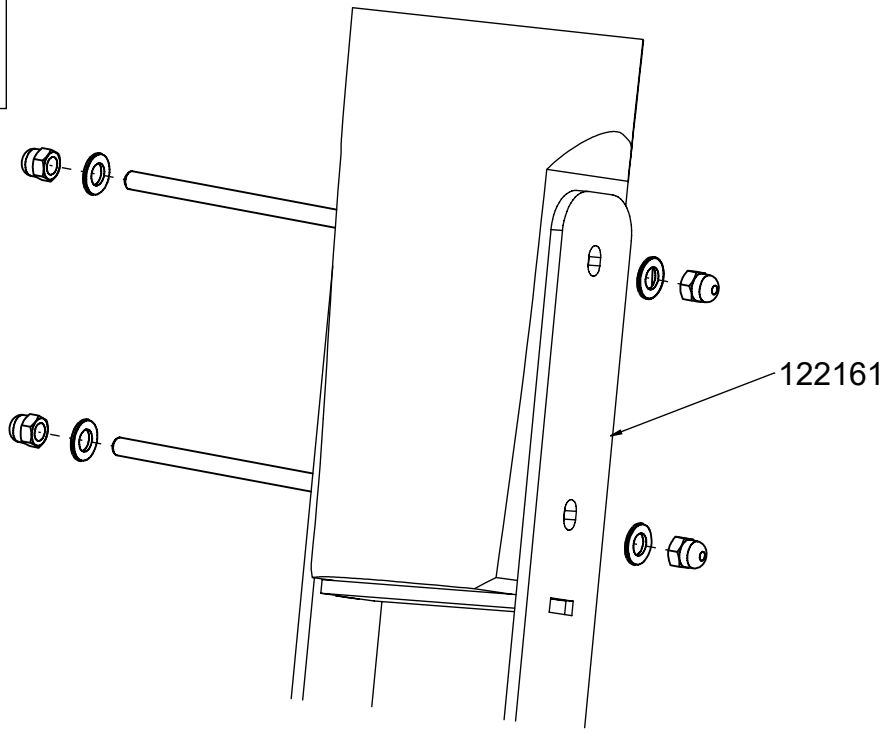


[cm]

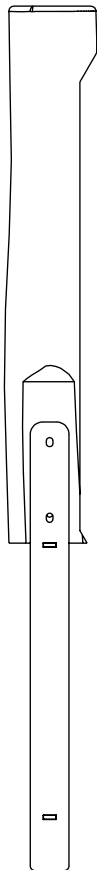
vinci
play

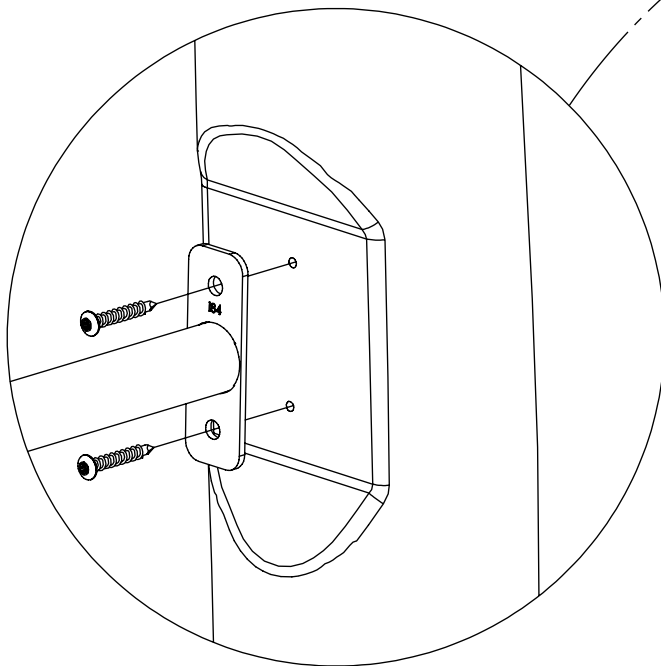
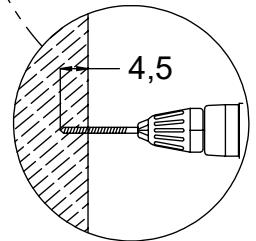
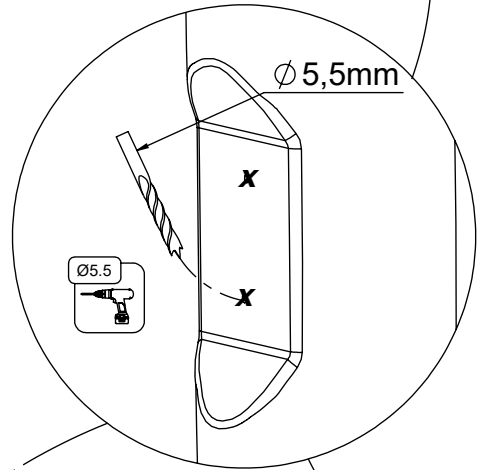
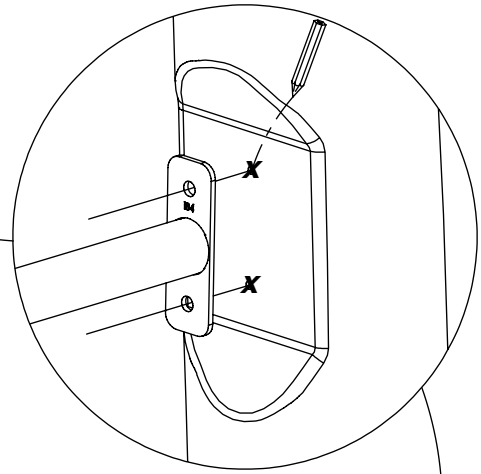
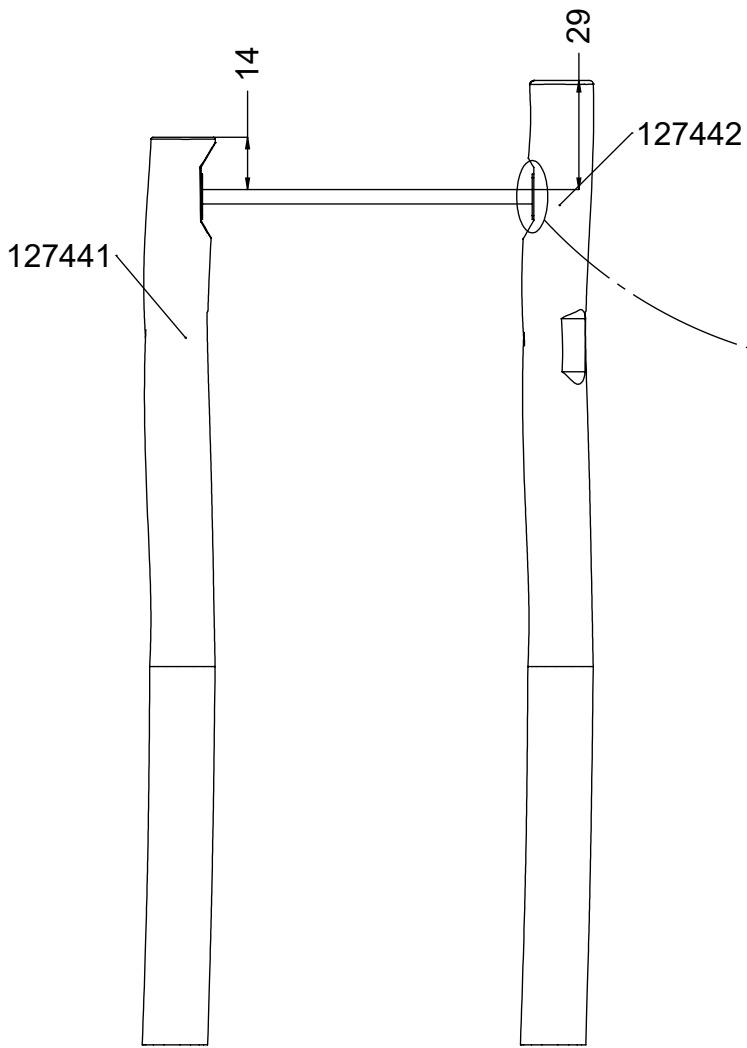
K1

3x



1x **12e117**

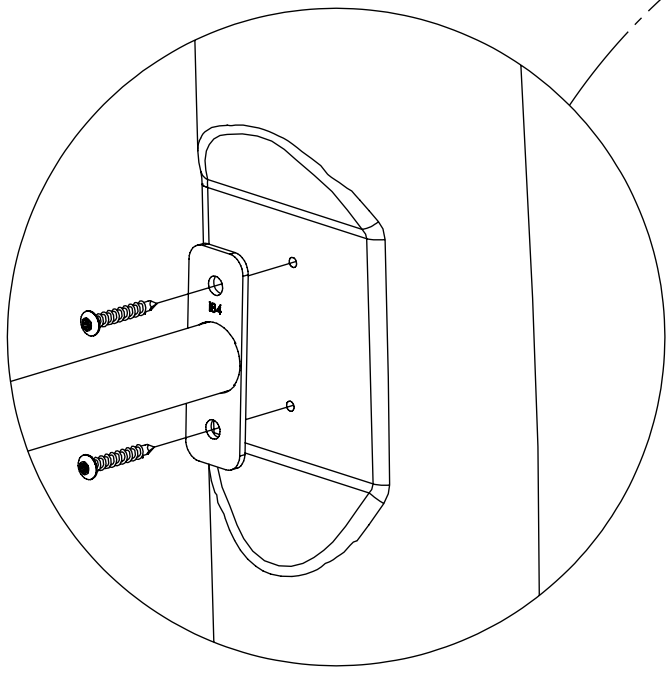
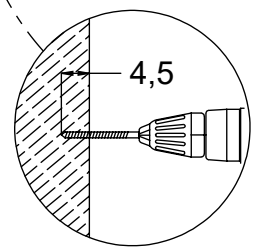
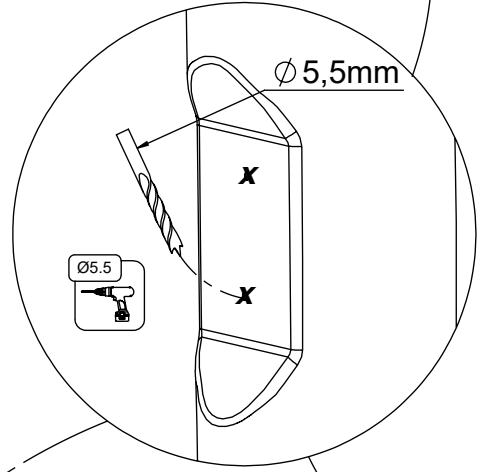
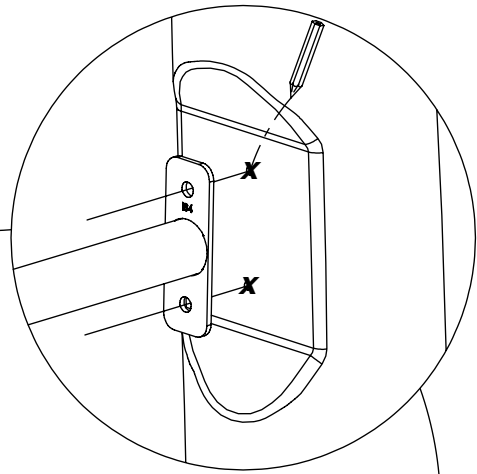
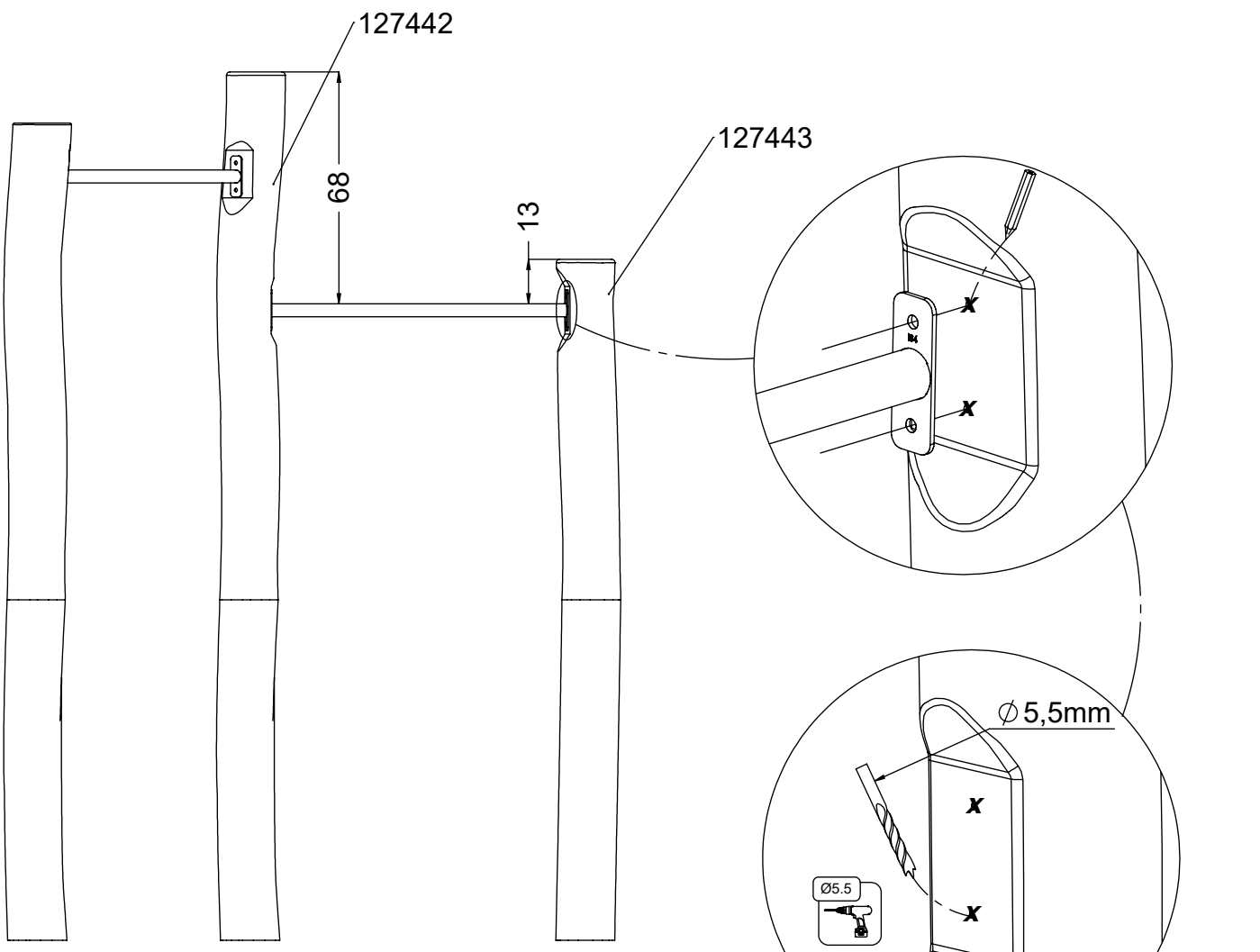




4x 8x50sxi

[cm]

vinci
play

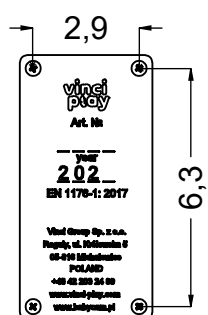
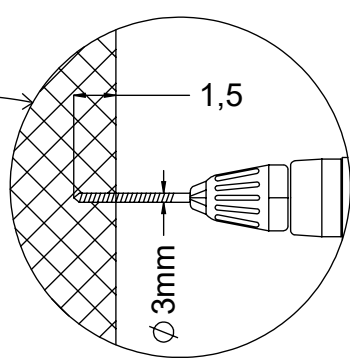
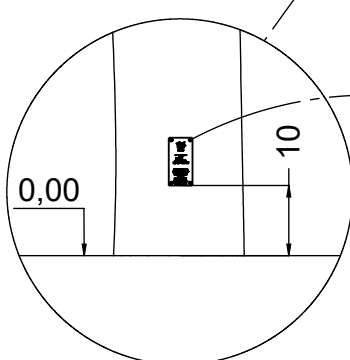
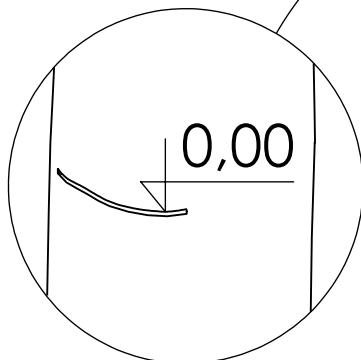
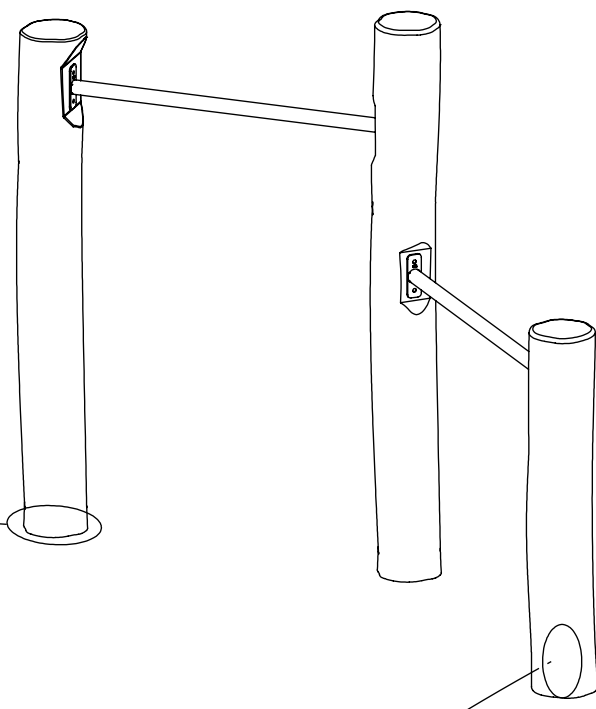
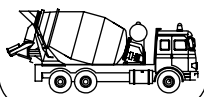


4x 8x50sxi

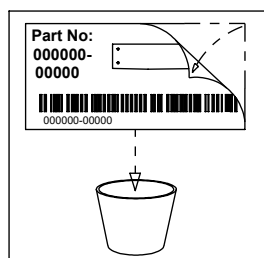
[cm]

vinci
play

48h



V001



[cm]

vinci play