



**Product technical sheet**

**WOODEN WD1403**



3 - 14 years



7 kids



18,8 m<sup>2</sup>



**Material specification**

- The structure is made of a durable, moisture-resistant and low-temperature recycled composite,
- Platforms and climbing walls made of durable anti-slip and waterproof plywood or HPL plate,
- Structure for platforms made of hot-dip galvanized and powder coated steel;
- The covers are made of recycled HDPE panel, resistant to weather conditions
- Slides made of stainless steel with sides made of recycled HDPE boards, resistant to atmospheric conditions,
- Manipulative panels made of recycled HDPE plates, resistant to weather conditions, green HDPE panels made of 100% recycled, e.g. ocean waste such as fishing nets and ropes,
- Climbing stones made of green HDPE plates made of 100% recycled material, e.g. ocean waste such as fishing nets and ropes, resistant to weather conditions,
- Stainless steel bars, ladders and handrails,
- Screws covered with plastic caps and/or stainless steel screws,
- Safe end caps made of polypropylene,



**Facilitating disability**



easy access



integration



**Intellectual development**



manipulation



thinking



**Physical development**



sliding



climbing





**1**  
number of towers



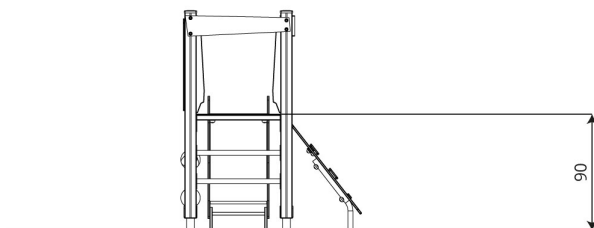
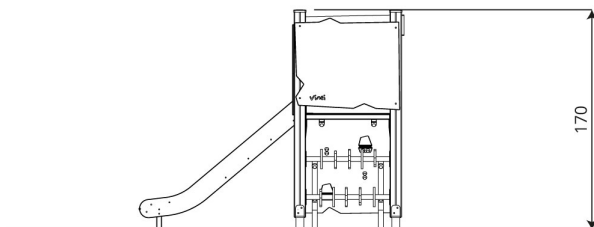
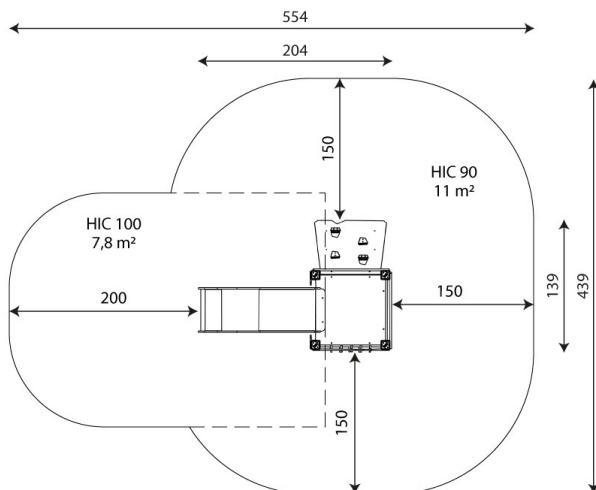
**1**  
number of slides



**1**  
number of interactive elements



**2**  
number of activity elements



**Product technical sheet**

**WOODEN WD1403**

**Product data**

Length	204 cm
Width	139 cm
Total height	170 cm
Age group	3 - 14 years
Number of users	7 kids
Safety zone	18,8 m2
Free fall height	90 cm
The height of the platforms	90 cm
slide platform height	90 cm
In accordance with norm EN	1176-1:2017
Weight of the heaviest part	25 kg
Dimensions of the largest part	225x9x9 cm
Availability of spare parts	YES
Installation time	4 h
Color options	

Data is subject to change without prior notice.

**Additional information**

- equipment adapted for the disabled; intended for public playgrounds;
- equipment has a certificate issued by an accredited entity or a declaration of conformity;
- no sharp edges or chinks that would pose a danger of jimmie the head, fingers or any other body parts;
- anchoring on flat surface, 80/70/60 cm deep;
- slide should not be installed southwards;
- render is for reference only, the actual appearance of the equipment and its color may vary;

**Guarantee**

**30**

30 year guarantee - Structural strength of steel and stainless steel components

**15**

15 year guarantee - Structural failure of steel and stainless steel, for dynamic equipment

**10**

10 year guarantee - Structural failure of high density polyethylene and high pressure laminates components

**5**

5 year guarantee - Corrosion of stainless steel and hot dip galvanized and powder coated components; against bark beetles and rot in case of wooden structural elements

Detailed information in the guarantee card

**Vinci Group Sp. z o.o.**  
Seminarnyja 9 Street  
99-400 Łowicz

VAT: 534-250-14-46  
PHONE: +48 42 203 24 99 ext. 26  
M: +48 793 404 991



biuro@vinci-play.com  
info@vinci-play.com  
[www.vinci-play.com](http://www.vinci-play.com)

## Surfaces according to EN 1176-1:2017

	Description (mm)	Layer thickness (cm)	Maximum fall heights (cm)
Turf/ top layer of soil (A,B,C)	-	-	≤100
bark (A,C)	Particle size from 20 to 80	30	≤200
		40	≤300
woodchips (A,C)	Particle size from 5 to 30	30	≤200
		40	≤300
sand or gravel (A,C)	Particle size from 0,25 to 8	30	≤200
		40	≤300
synthetic attested (A,B,C)	Tested according to EN 1177		100

## Product technical sheet

# WOODEN WD1403

### Amount of safe surface corresponding with free fall height:

HIC 90 11,0 m<sup>2</sup>

HIC 100 7,8 m<sup>2</sup>

Data is subject to change without prior notice.

