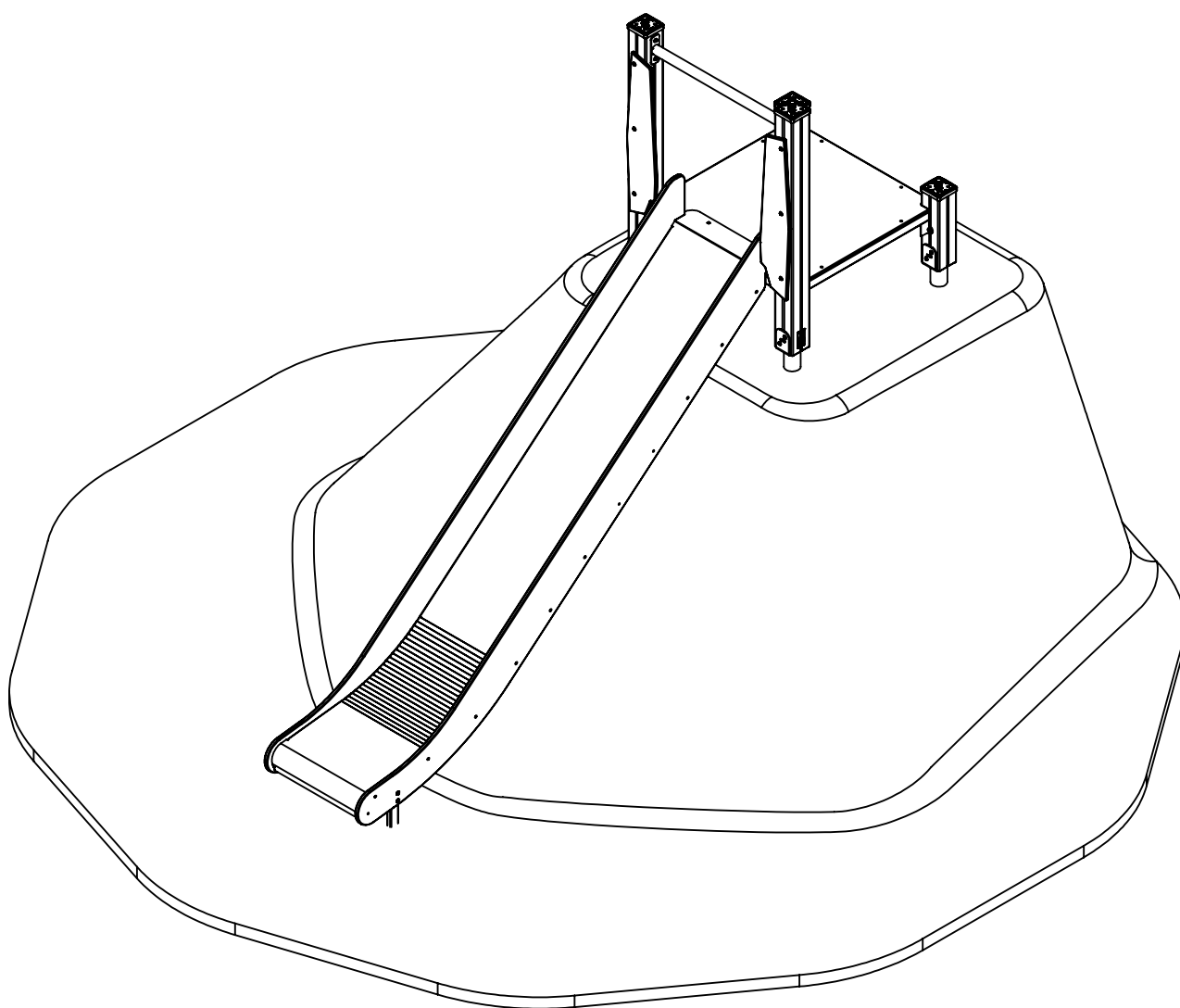
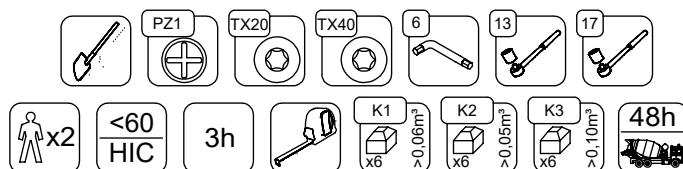


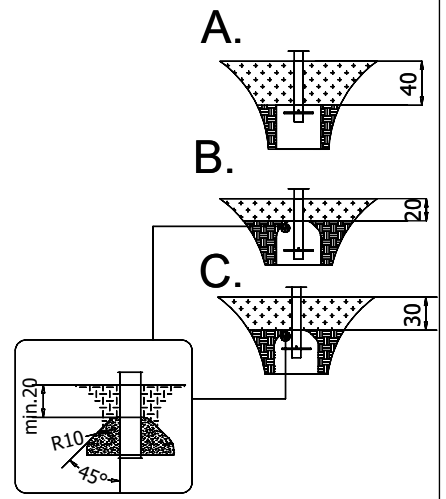
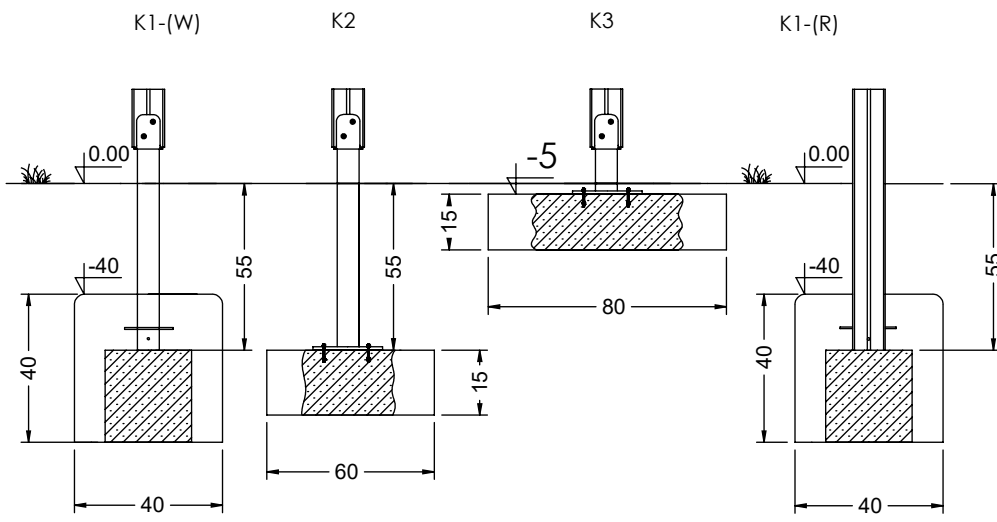
WD/RC 1440-WD/RC 1445



v015
01.12.2023
M.L.
[cm]



vinci
play



K1


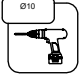

x6 **0,06 m³**

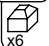

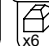
K2

x6 **0,05 m³**

K3

x6 **0,10 m³**

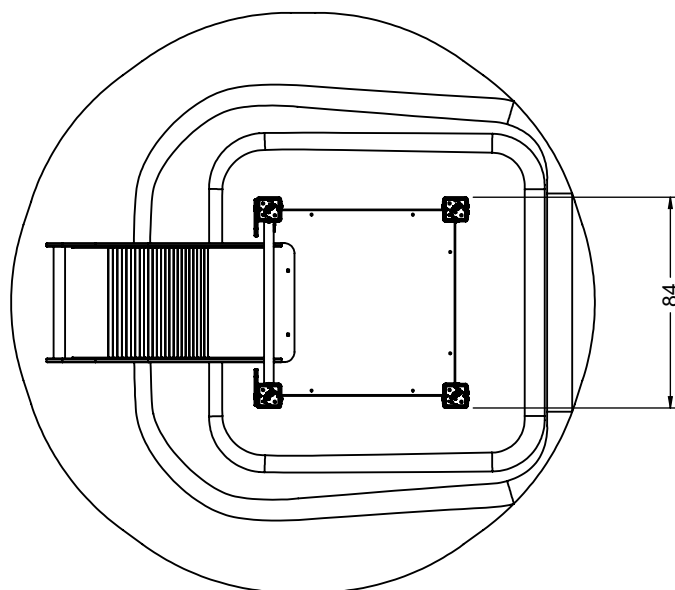
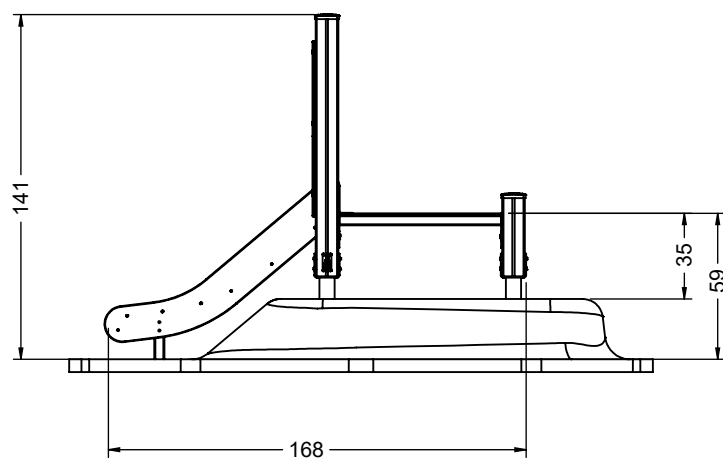
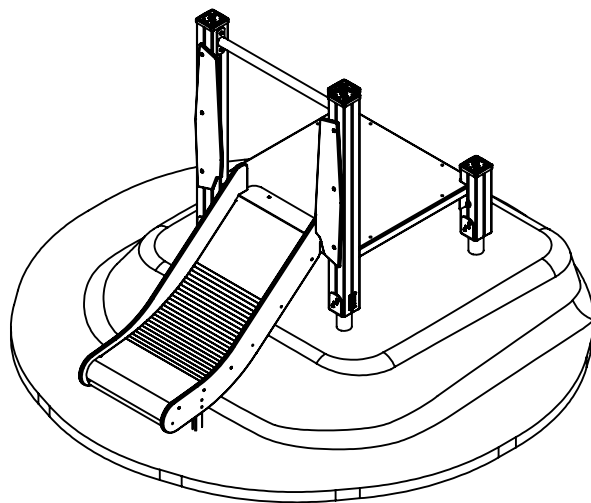
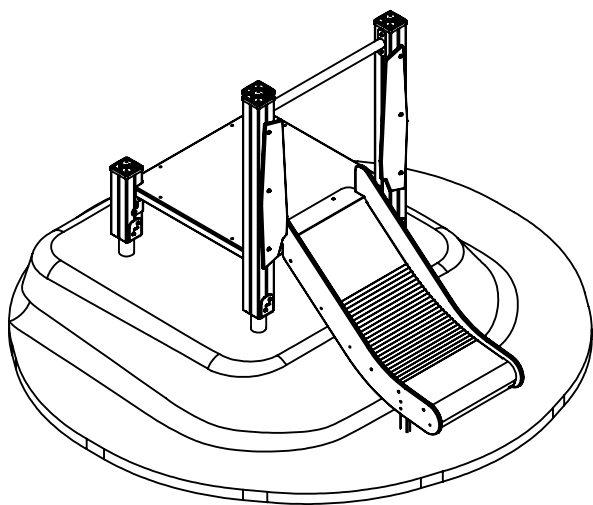
	K2, K3
M10x120 x18	
NOT INCLUDED	

K1  x6 >0,06m³	K2  x6 >0,05m³	K3  x6 >0,10m³
--	--	--

[cm]

vinci
play

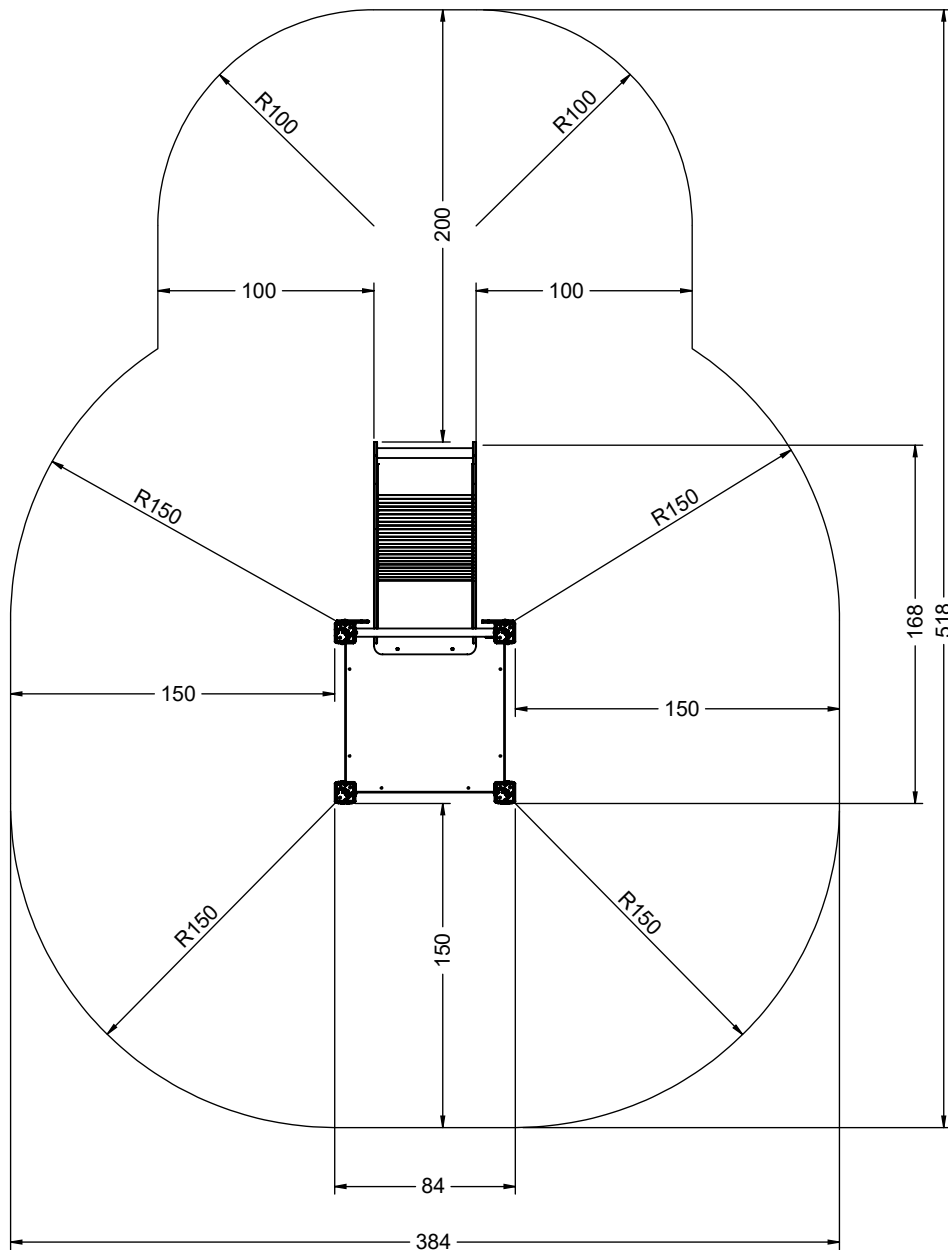
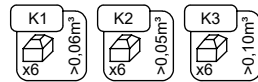
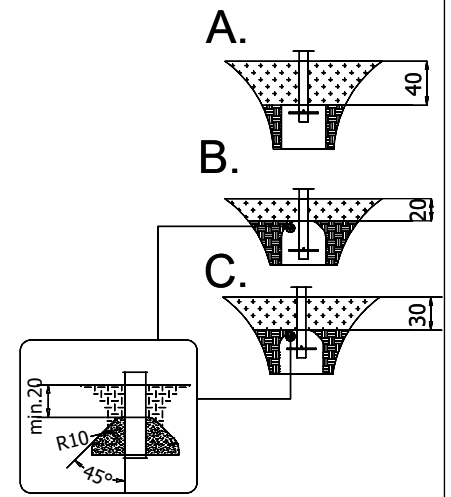
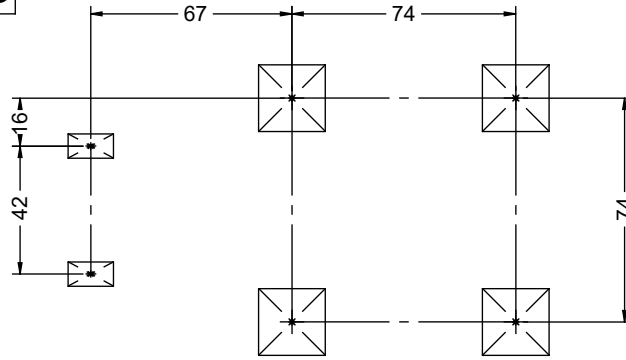
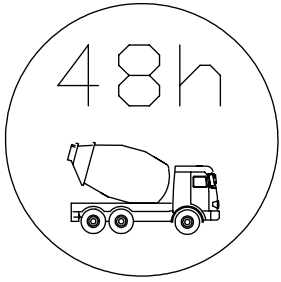
WD/RC 1440



[cm]

vinci
play

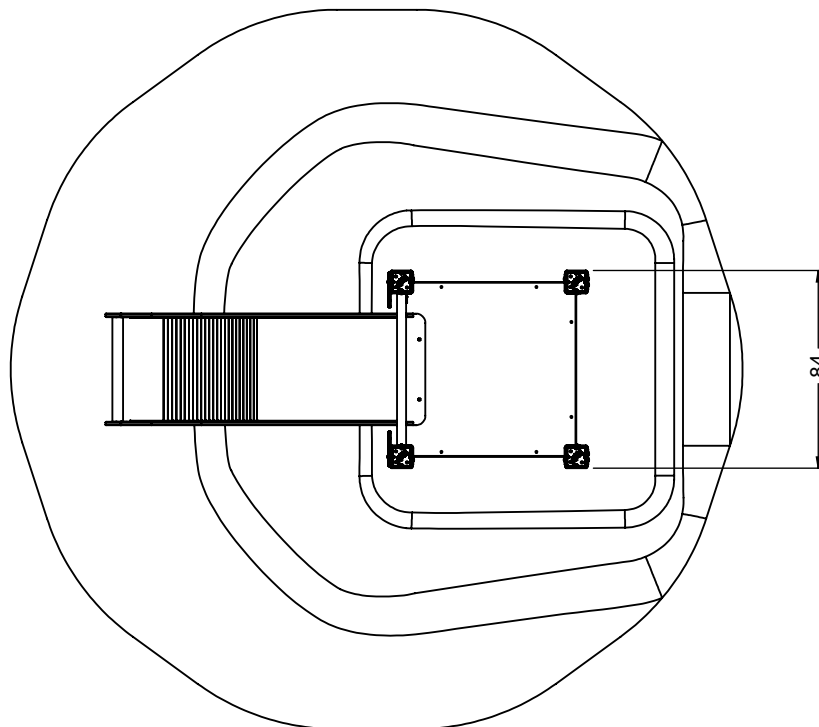
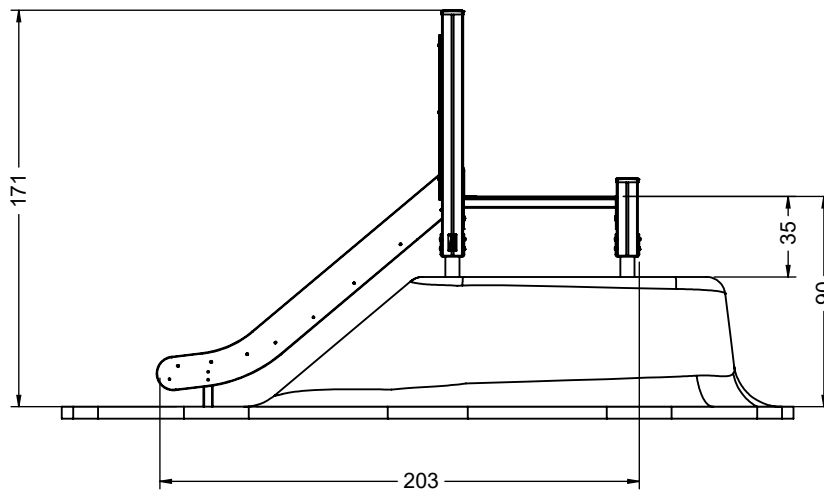
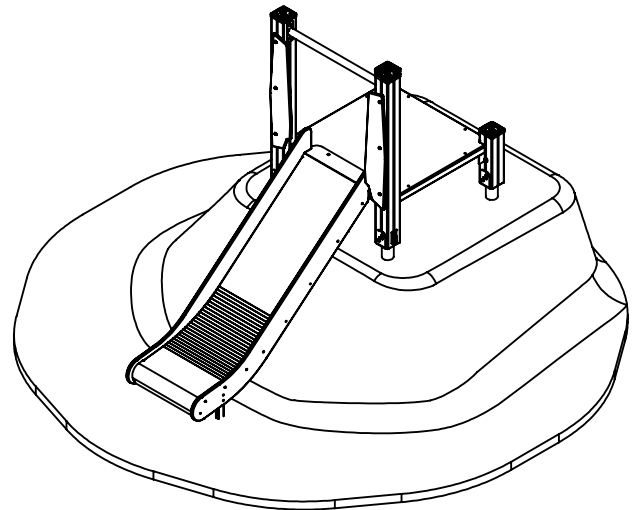
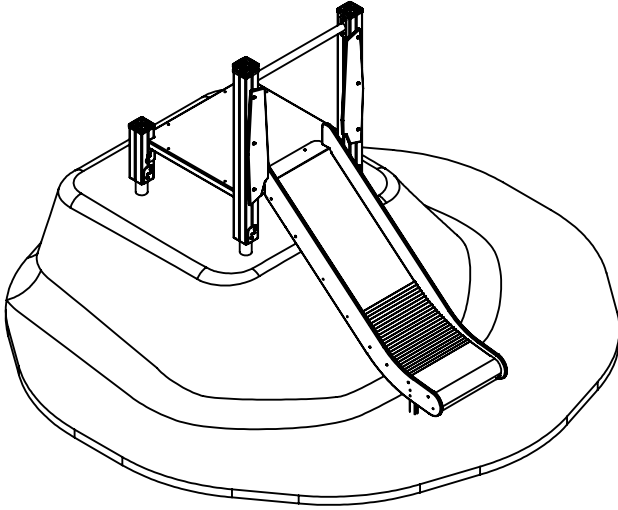
WD/RC 1440



[cm]

vinci
play

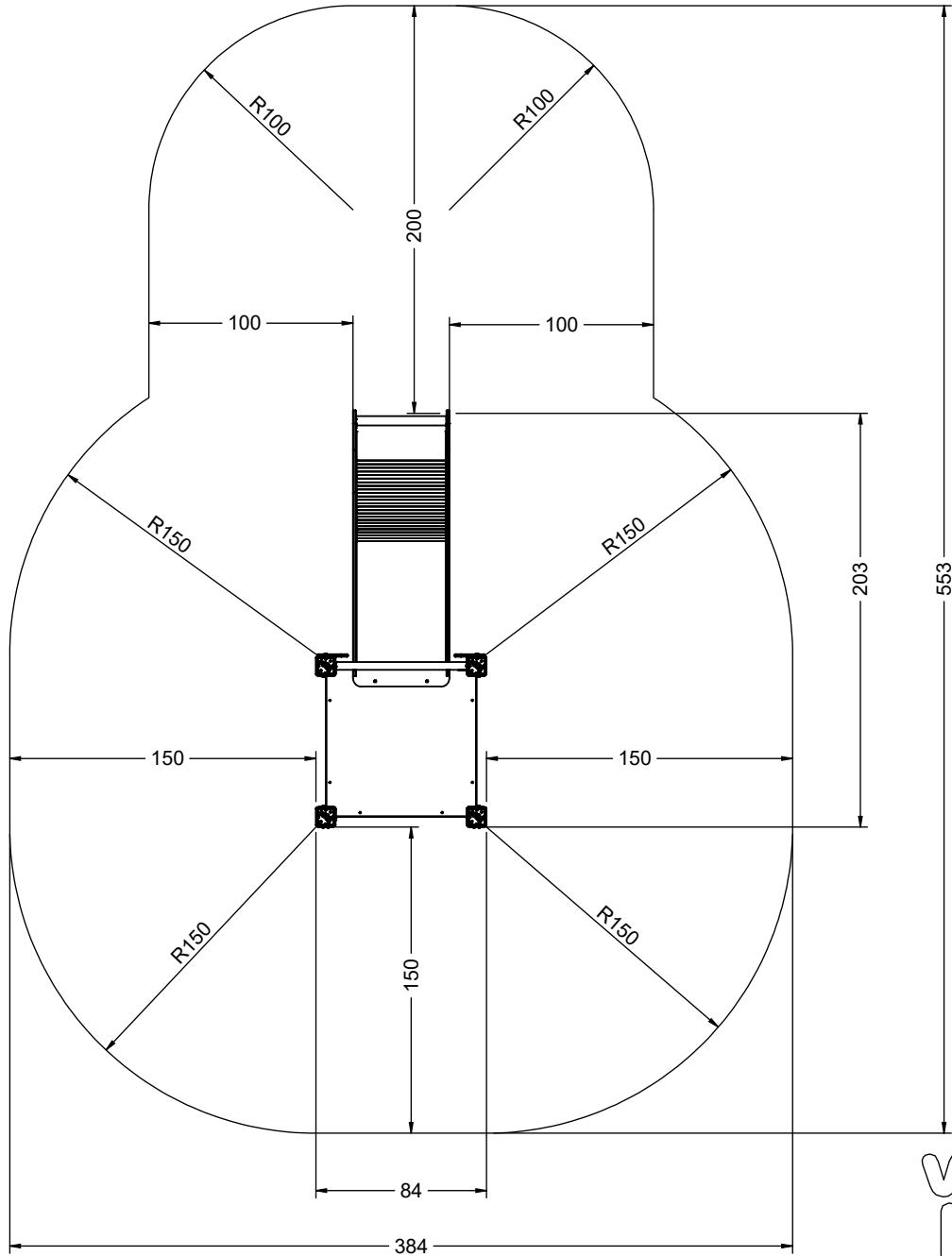
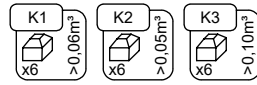
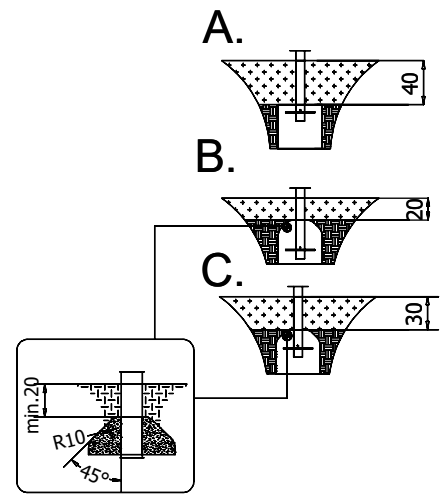
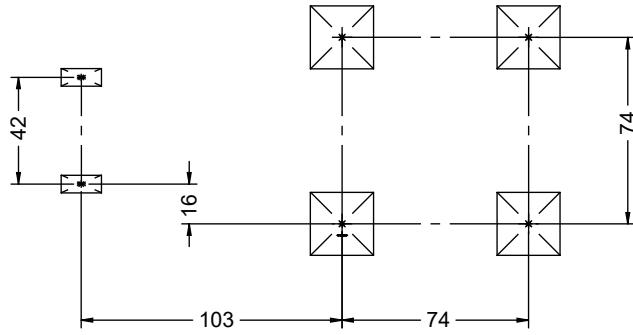
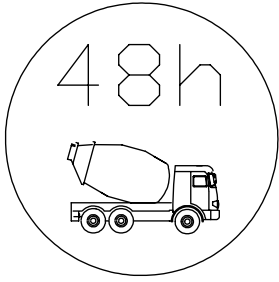
WD/RC 1441



[cm]

vinci
play

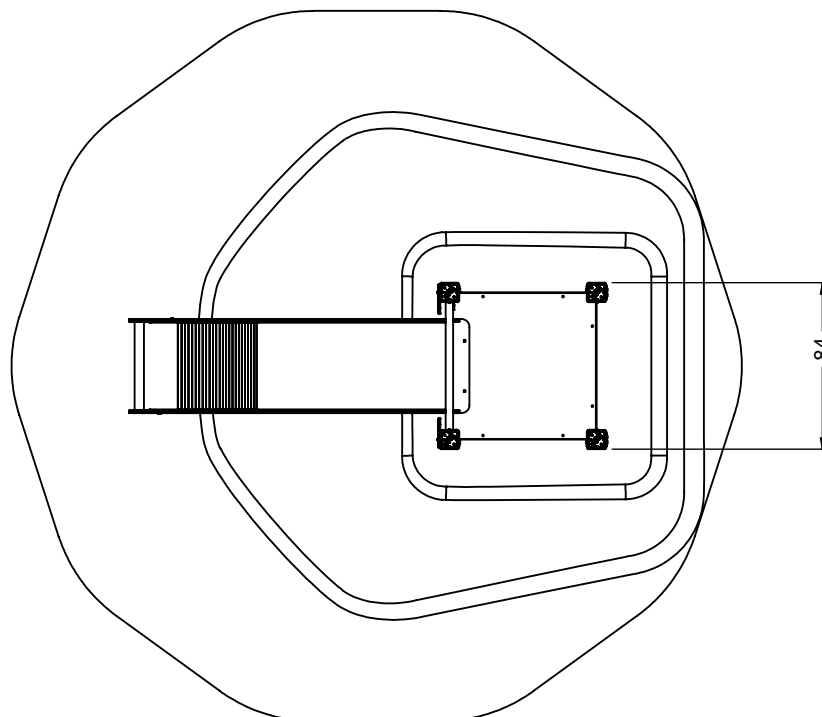
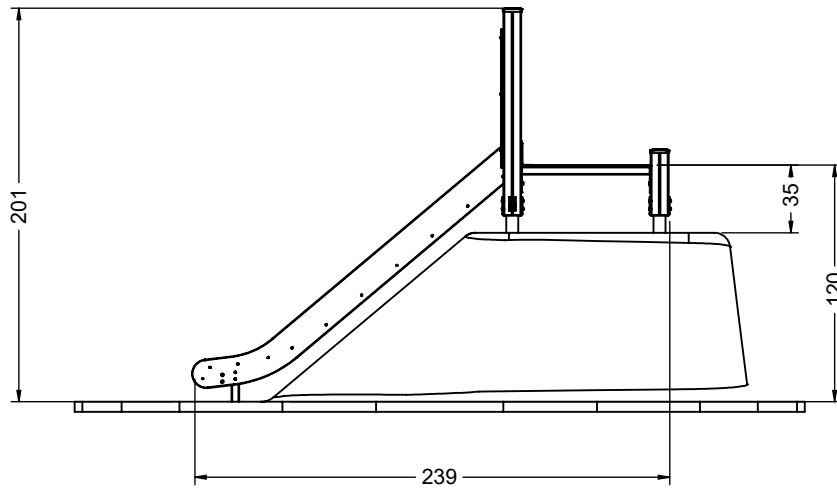
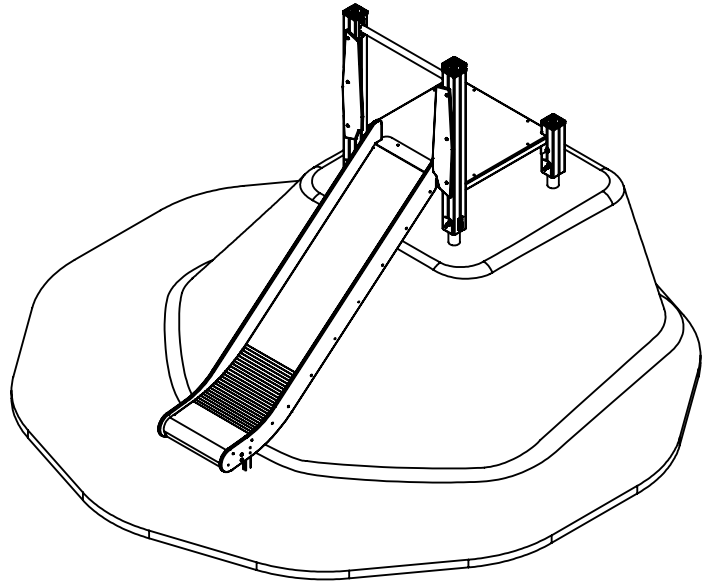
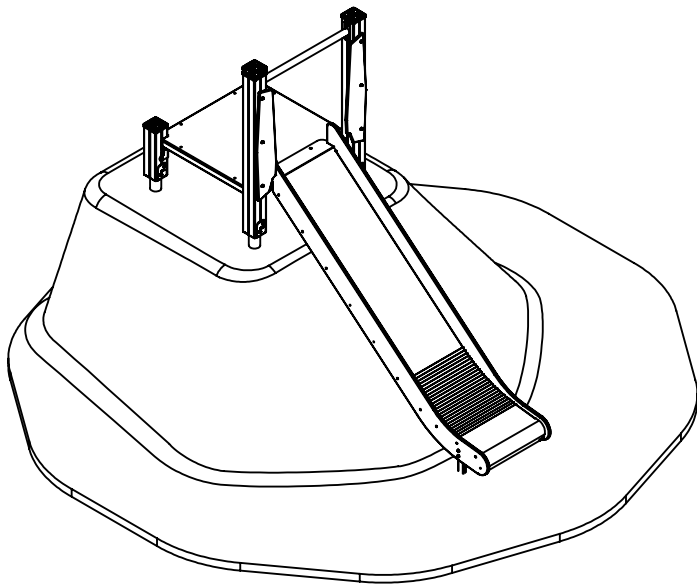
WD/RC 1441



[cm]

vinci
play

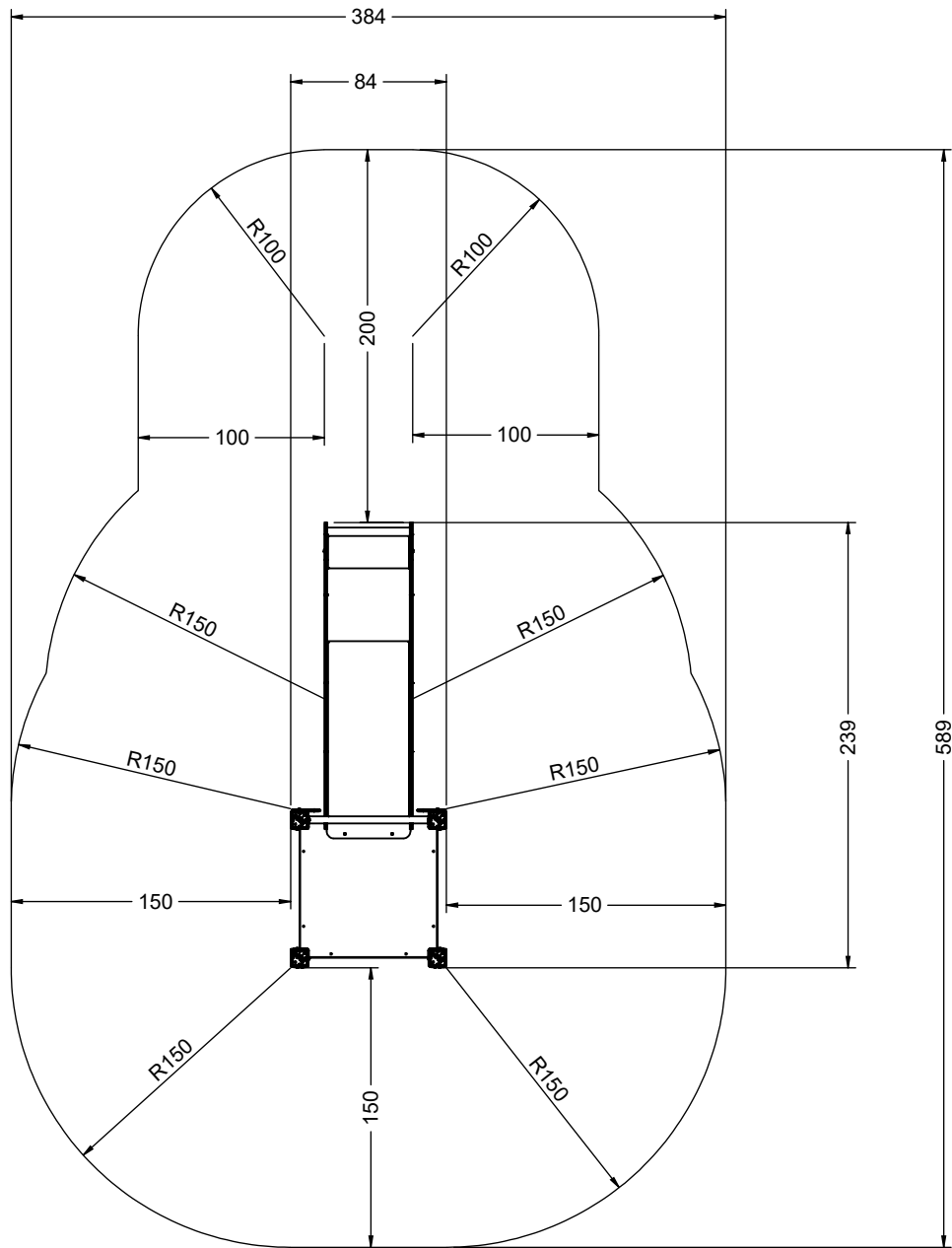
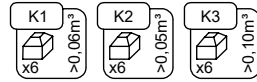
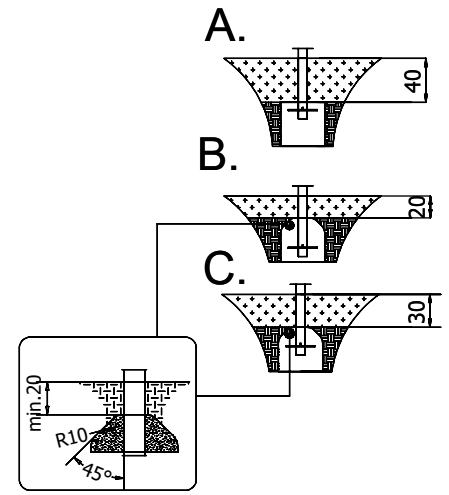
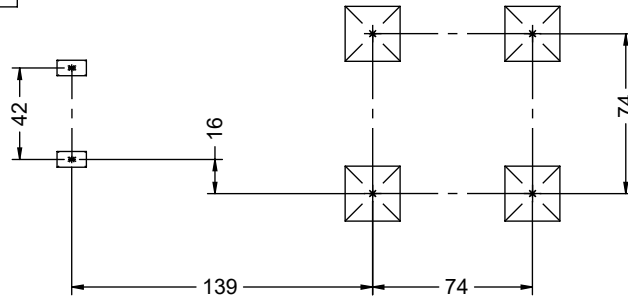
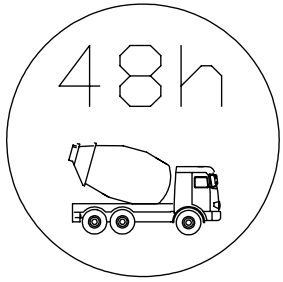
WD/RC 1442



[cm]

vinci
play

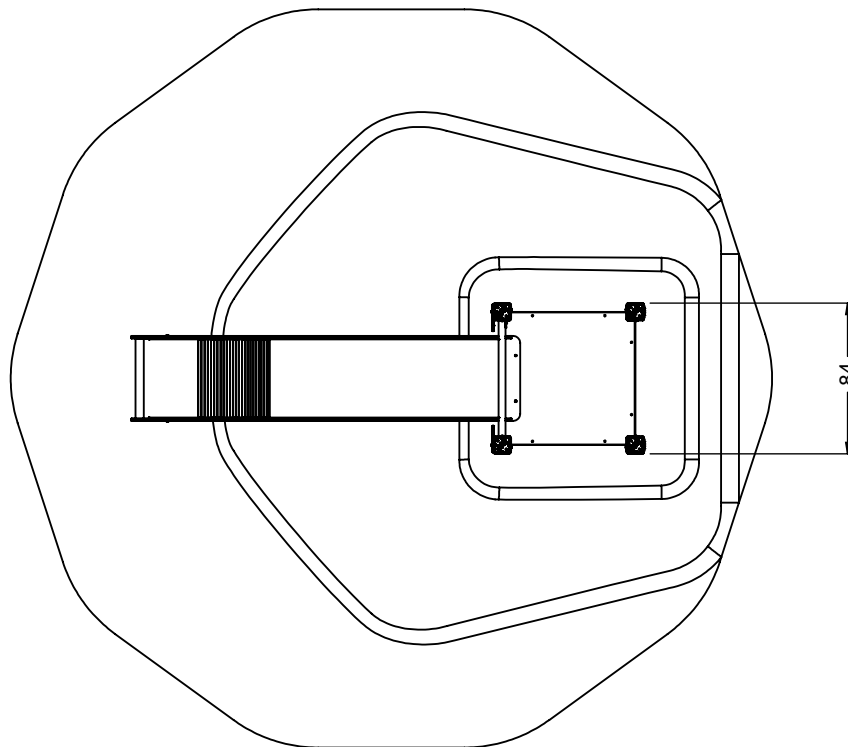
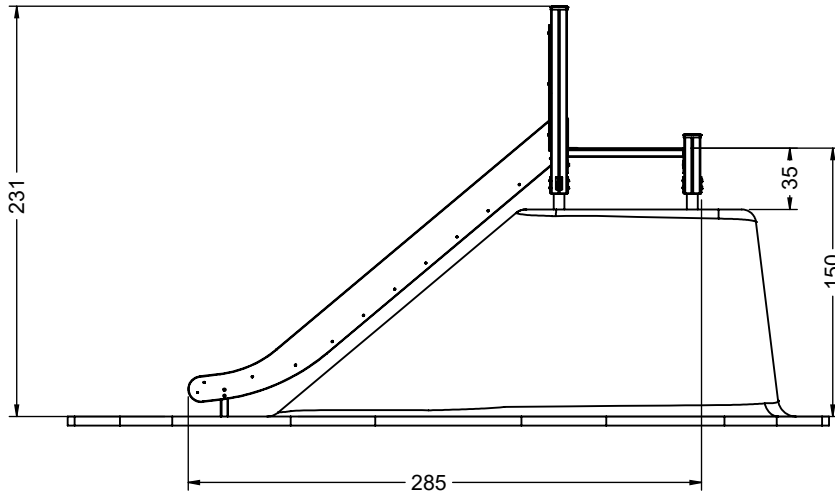
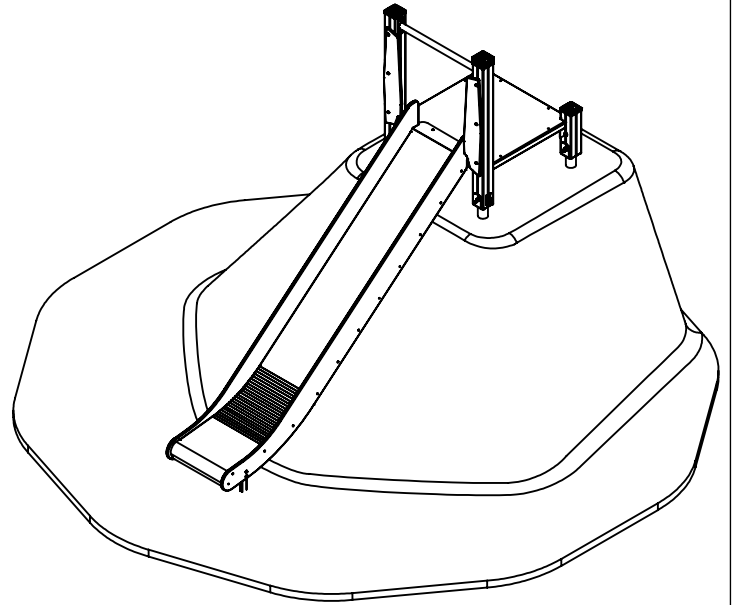
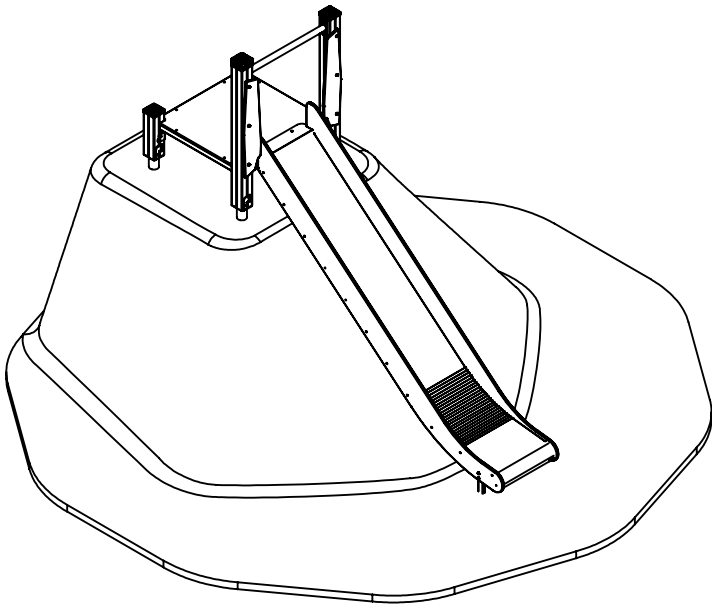
WD/RC 1442



[cm]

vinci
play

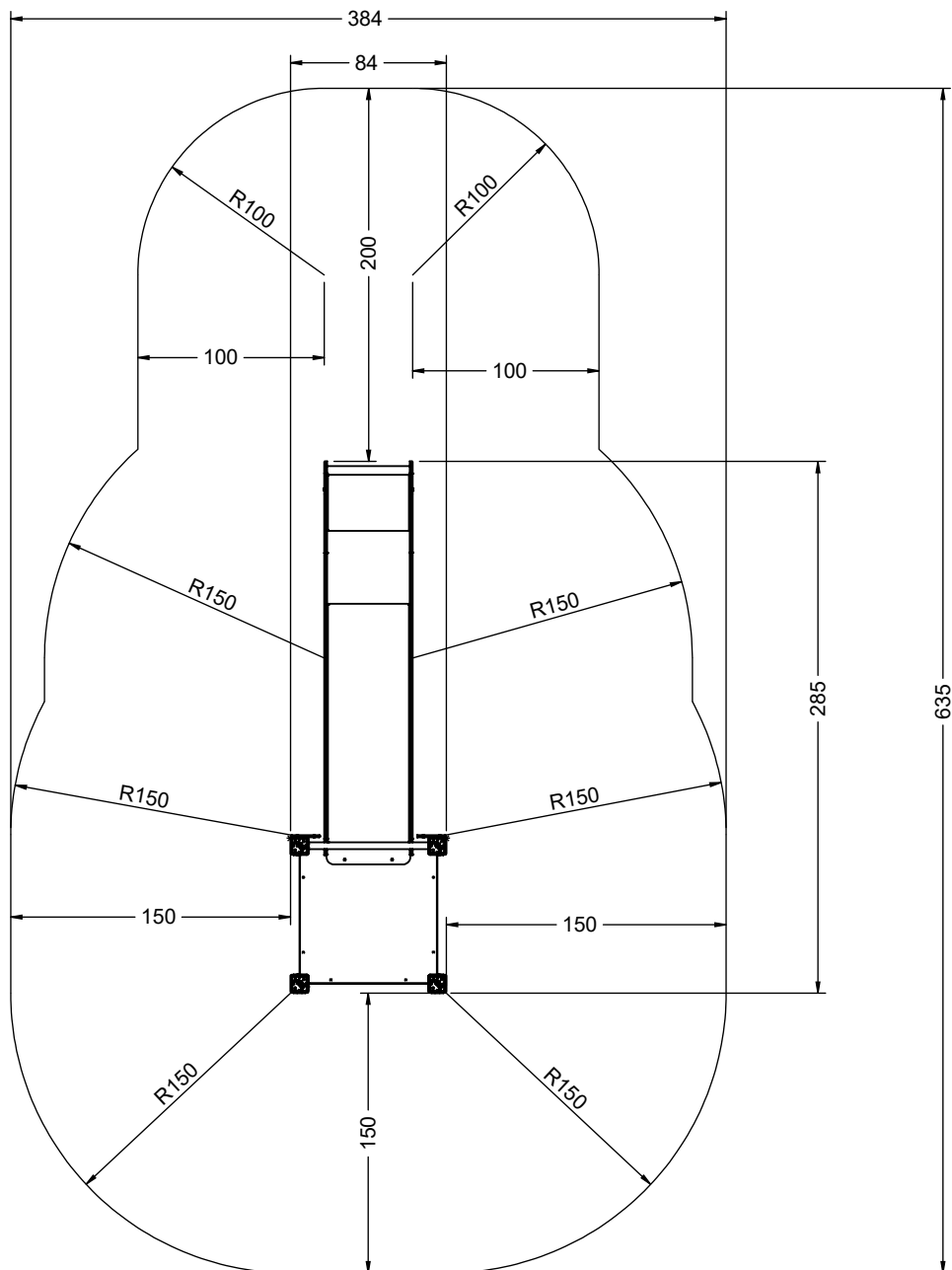
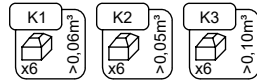
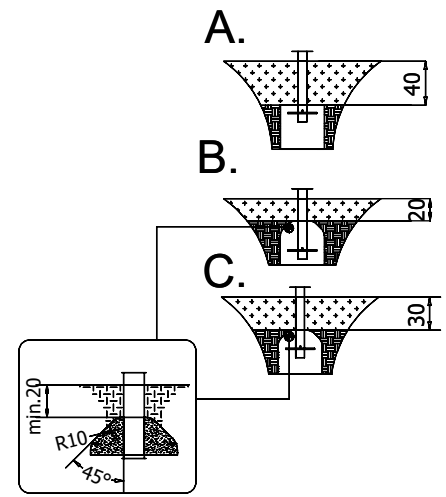
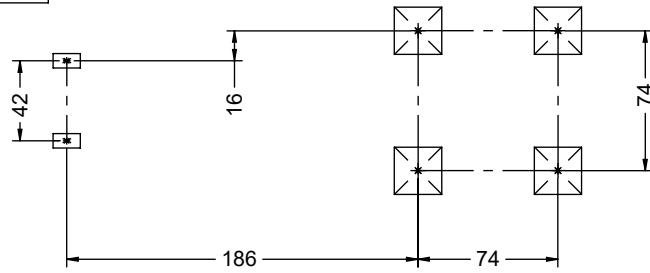
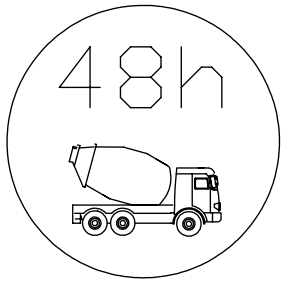
WD/RC 1443



[cm]

vinci
play

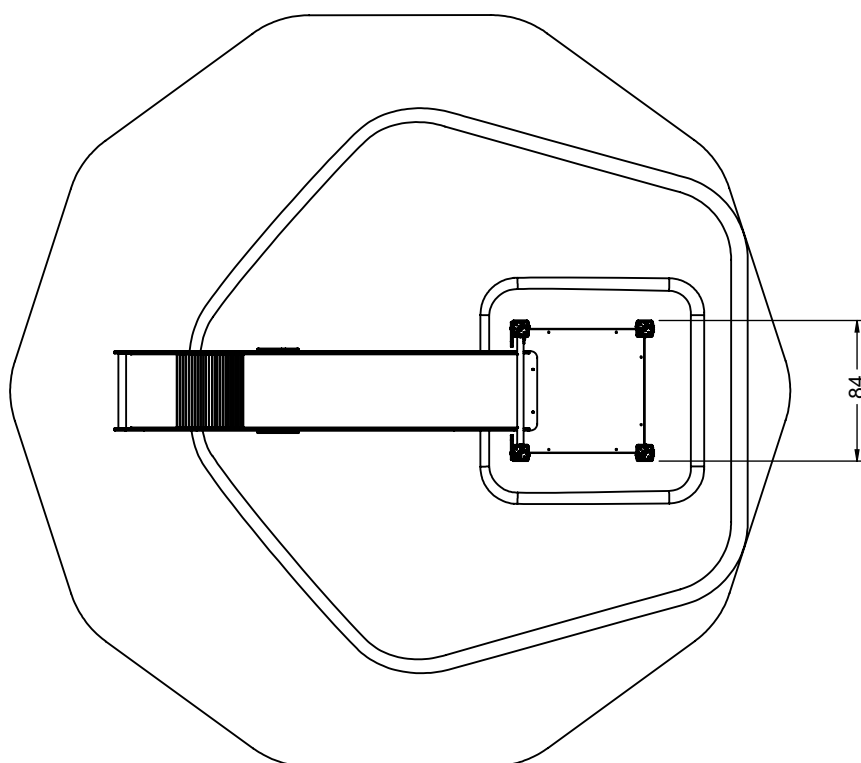
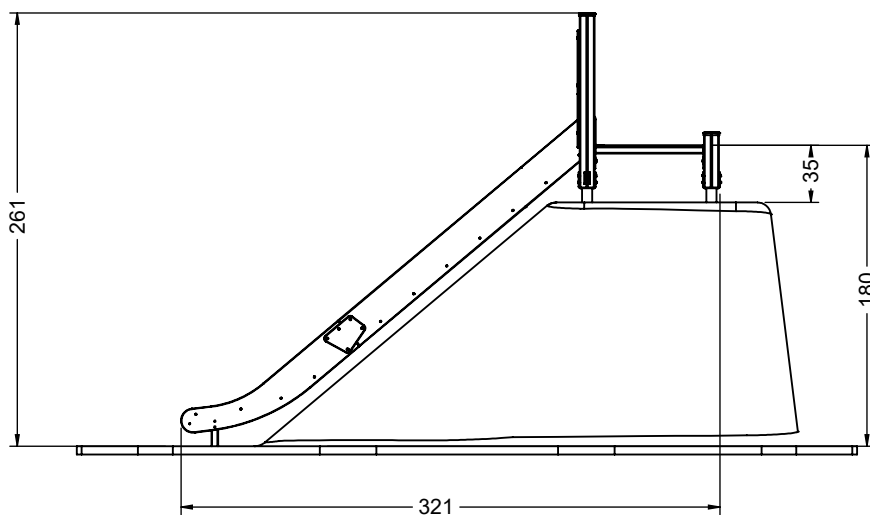
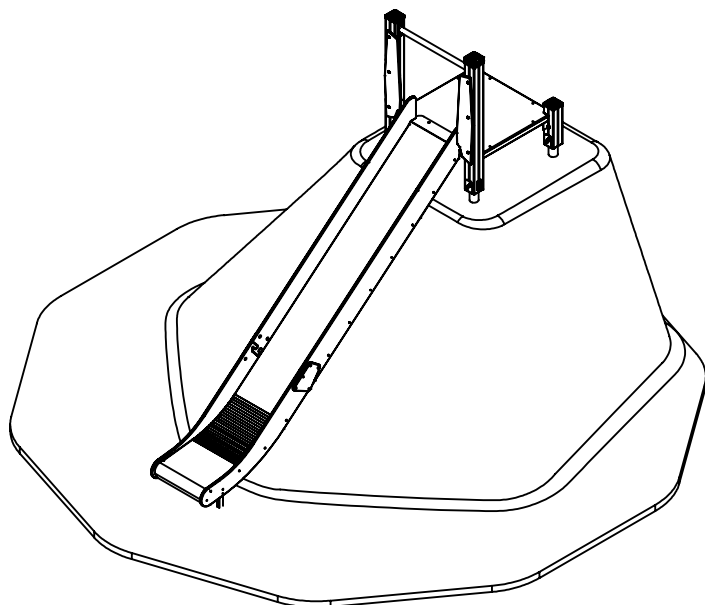
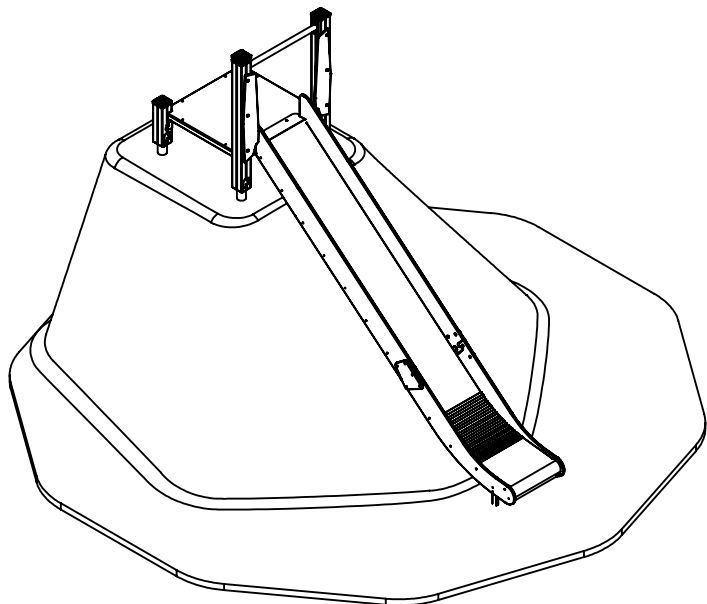
WD/RC 1443



[cm]

vinci
play

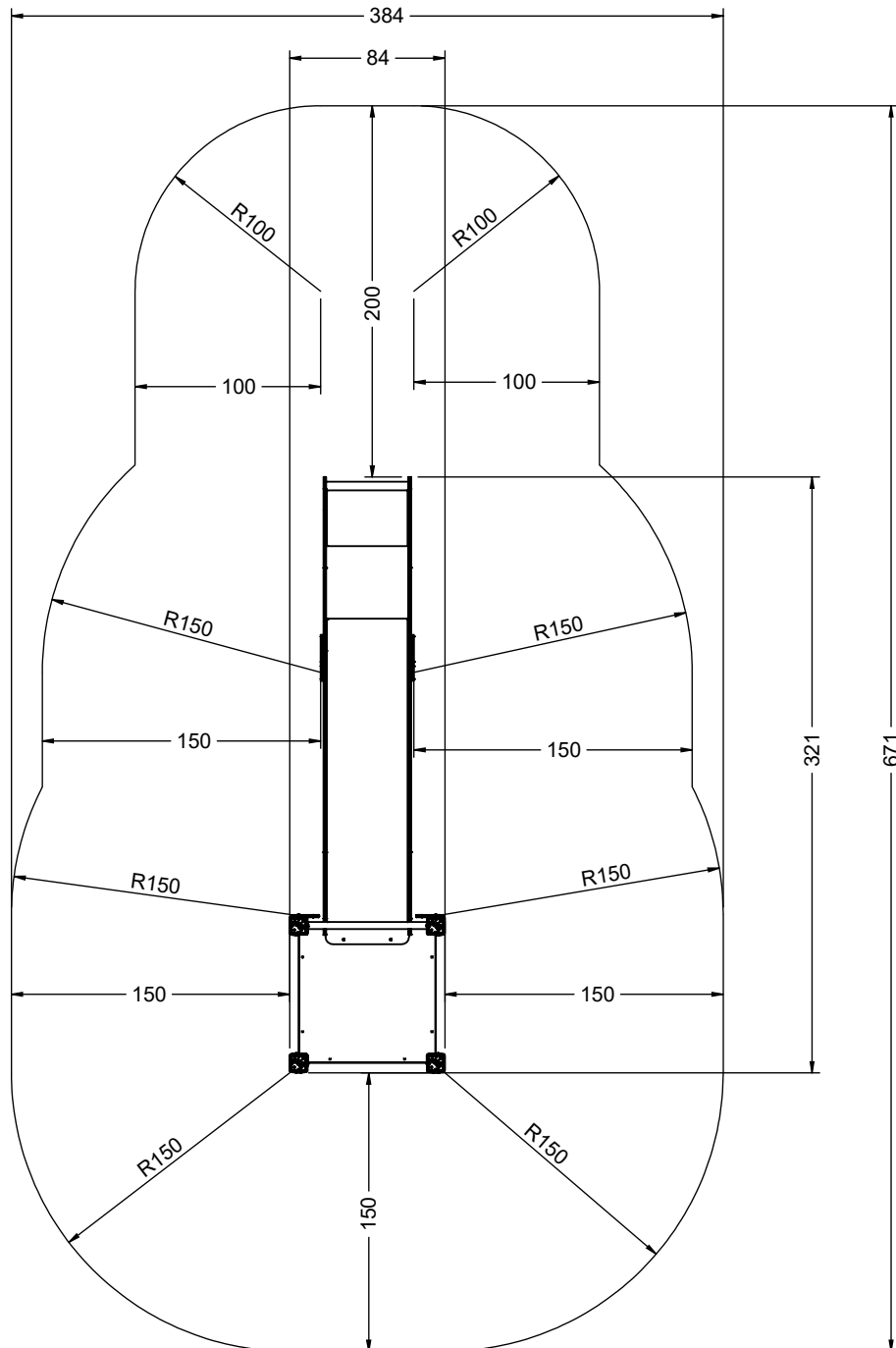
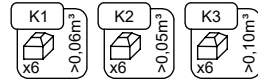
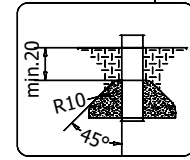
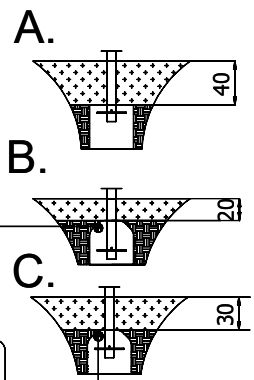
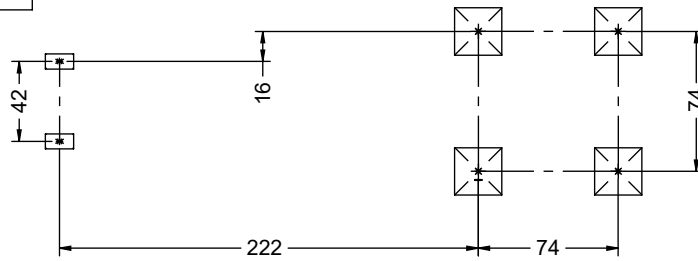
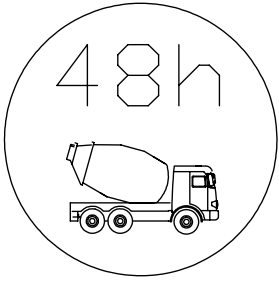
WD/RC 1444



[cm]

vinci
play

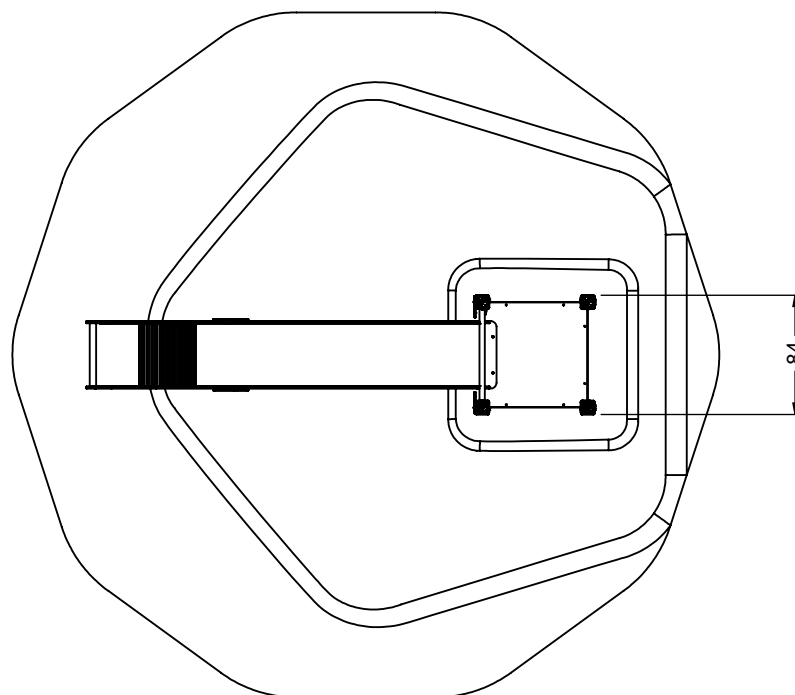
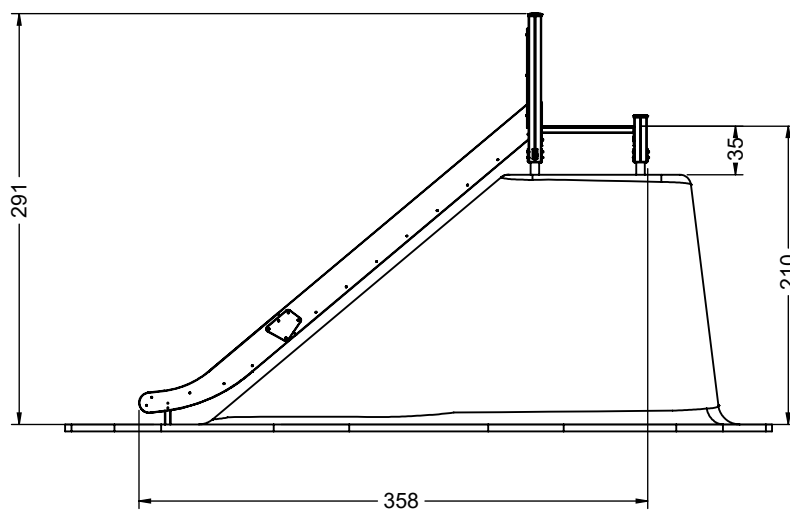
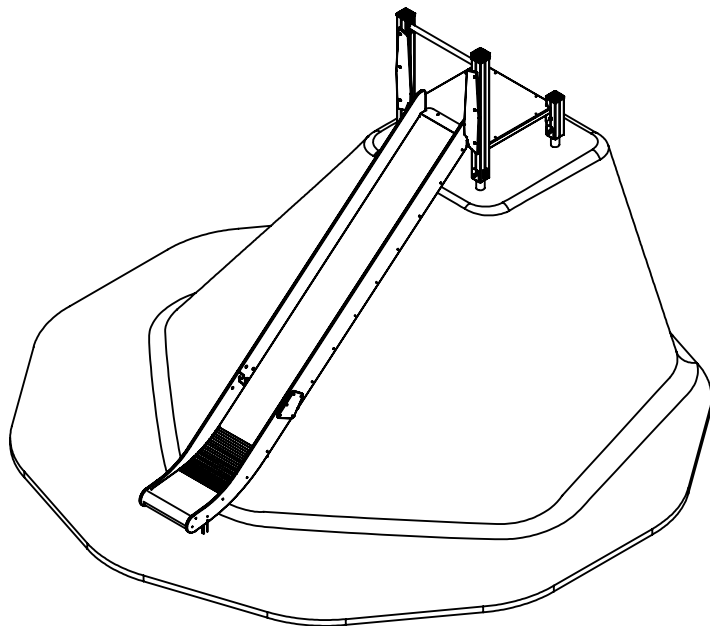
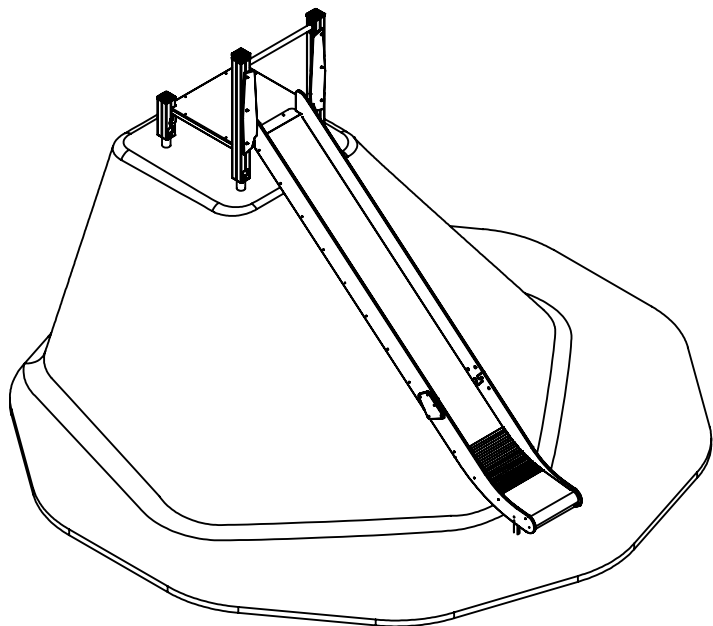
WD/RC 1444



[cm]

vinci
play

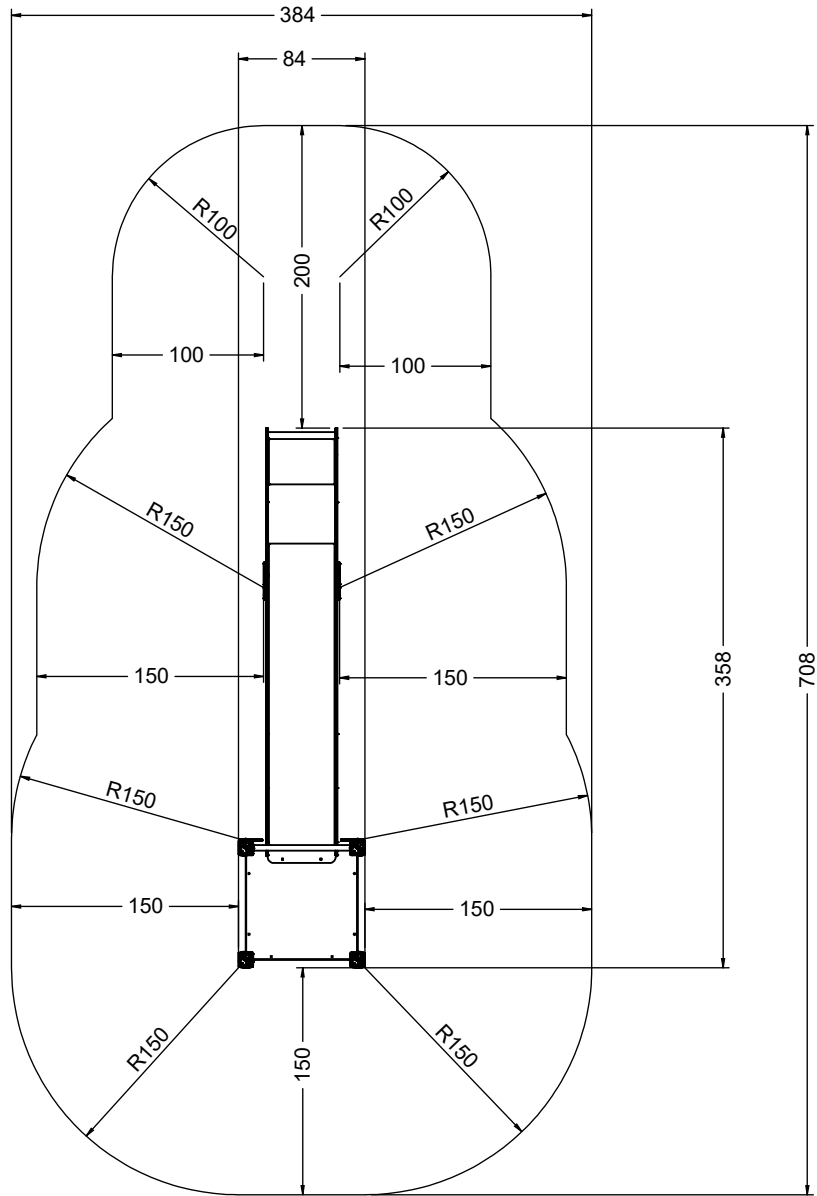
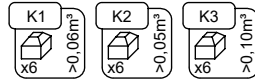
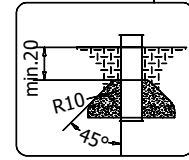
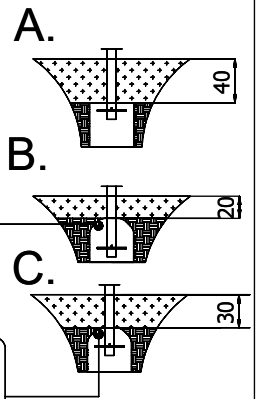
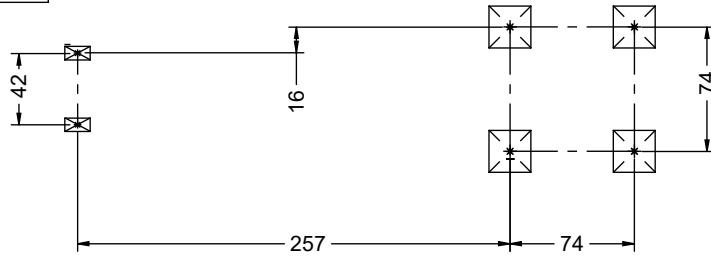
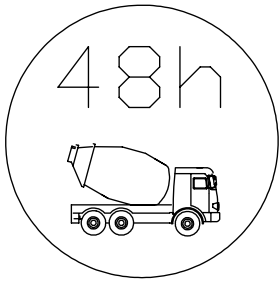
WD/RC 1445



[cm]

vinci
play

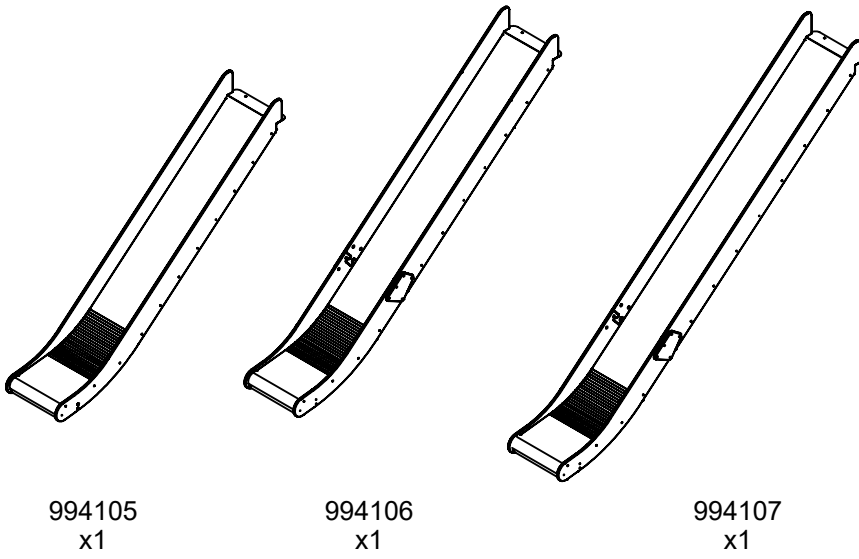
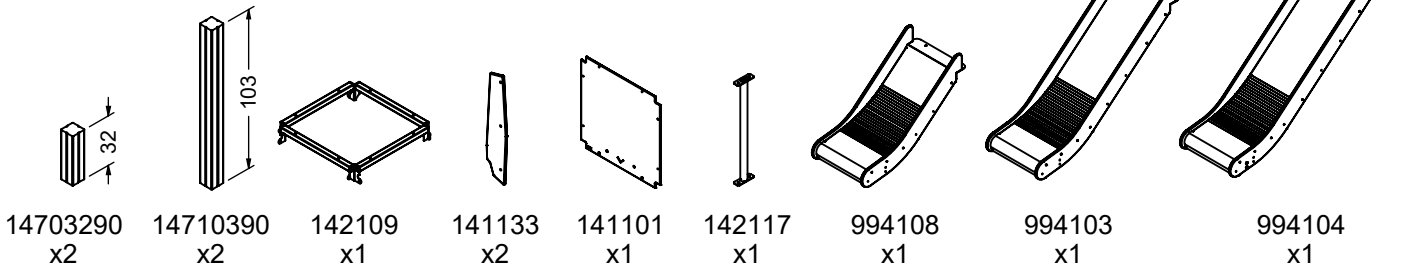
WD/RC 1445



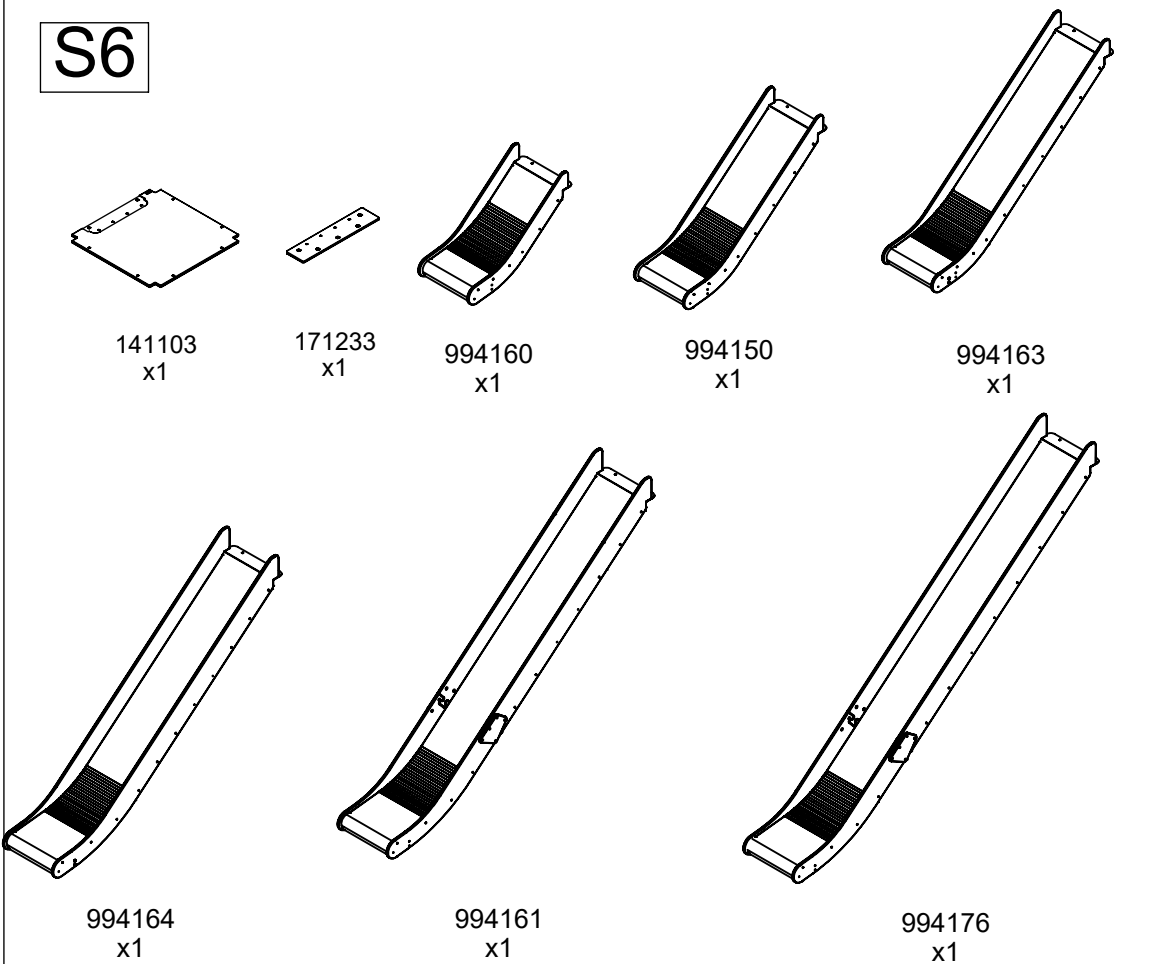
[cm]

vinci play

WOOD - (W)



S6



[cm]

vinci
play

RECYCLED - (R)

K1

14909790 x2
14916890 x2

K2, K3

14903290 x2
14910390 x2

142117 x1
994108 x1
994103 x1
994104 x1

994105 x1
994106 x1
994107 x1
142109 x1
141133 x2
141101 x1

S6

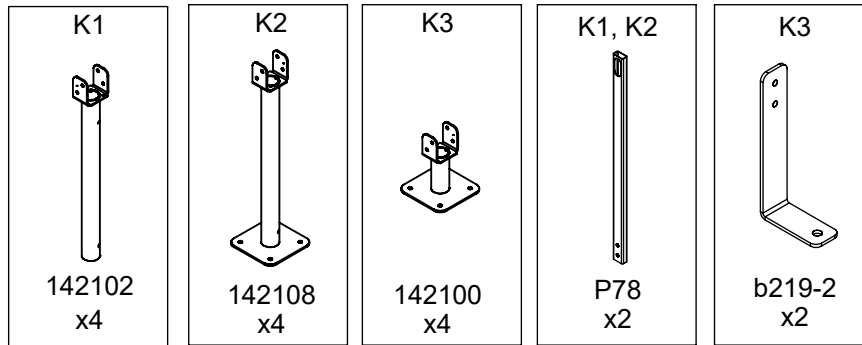
141103 x1
171233 x1
994160 x1
994150 x1
994163 x1

994164 x1
994161 x1
994176 x1

[cm]

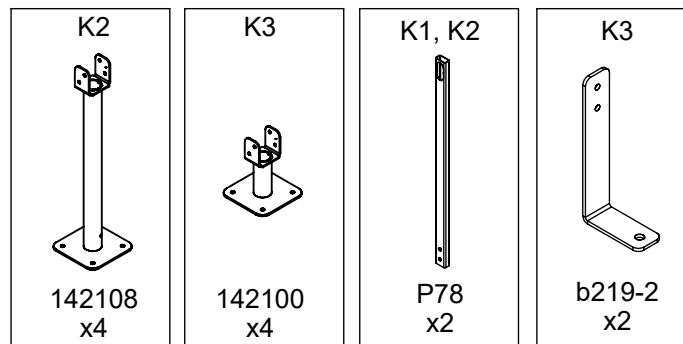


WOOD - (W)

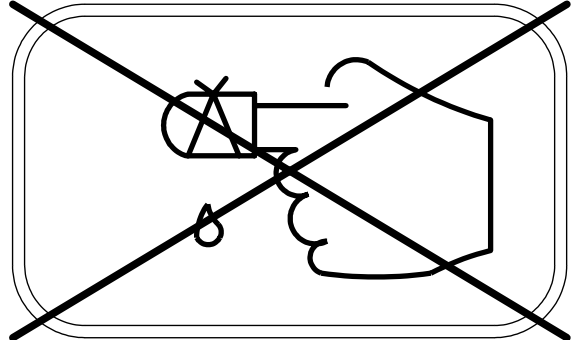
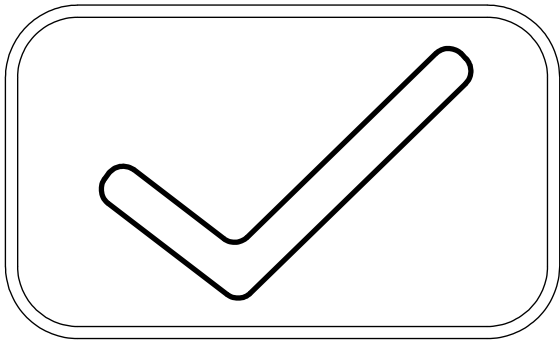
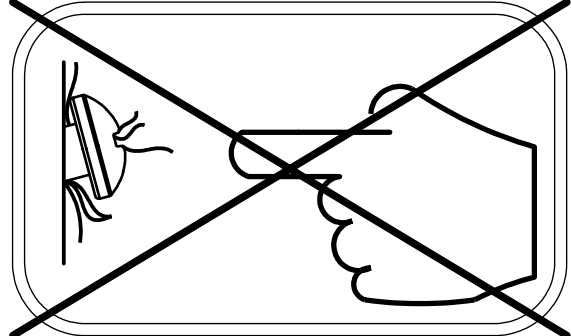
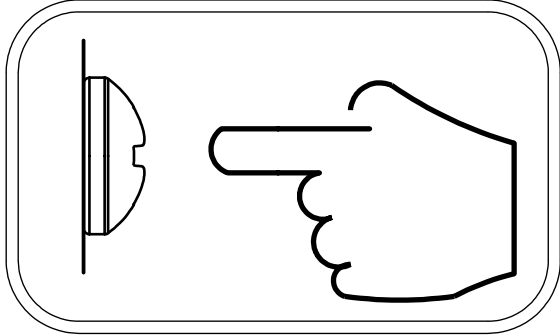
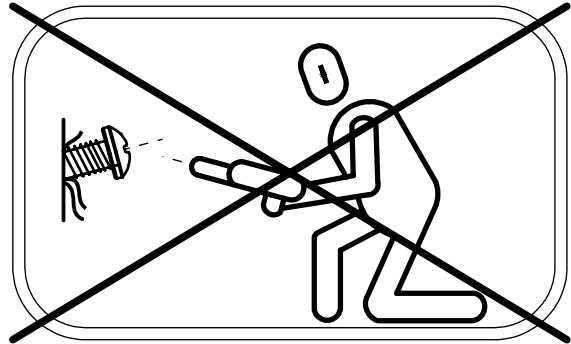
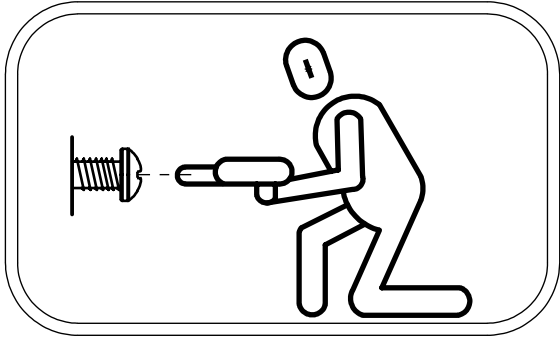


		PLYWOOD / HDPE		HPL	
34x	8x50 sxi	1x	WD74	1x	WD75
4x	WD1	1x	WD28 (S1)	1x	WD29 (S1)
1x	E34 (K1, K3)	1x	WD113 (S6)	1x	WD114 (S6)
1x	E35 (K2)			1x	17p061 S6
1x	V001				

RECYCLED - (R)

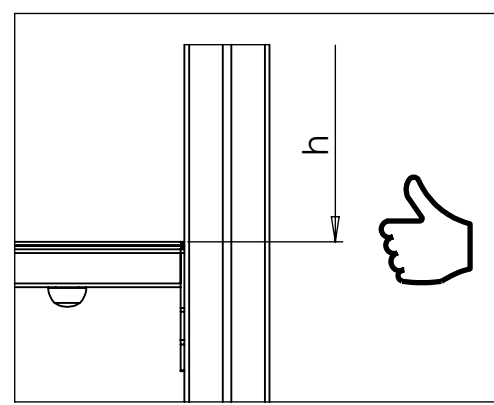
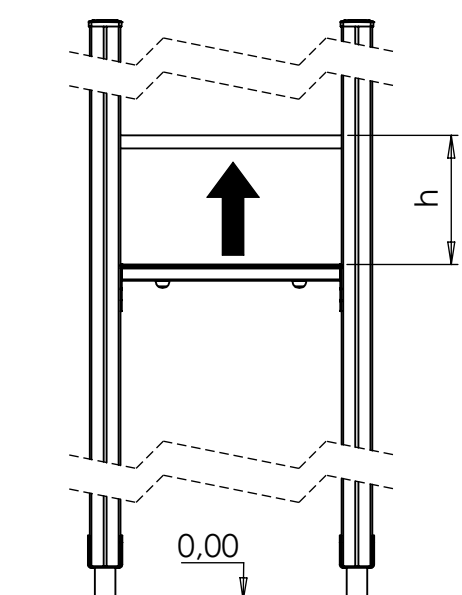
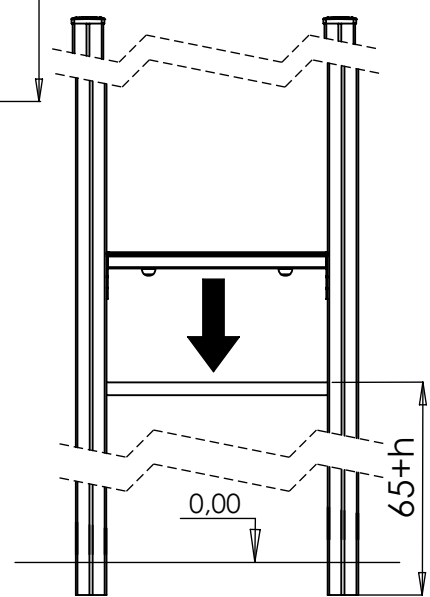
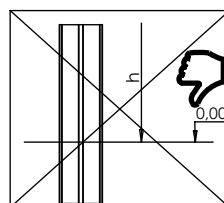
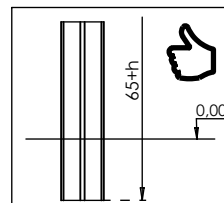
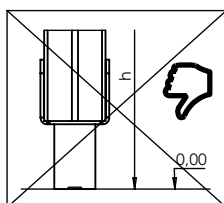
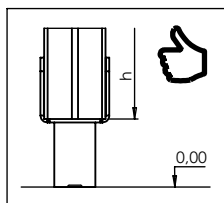
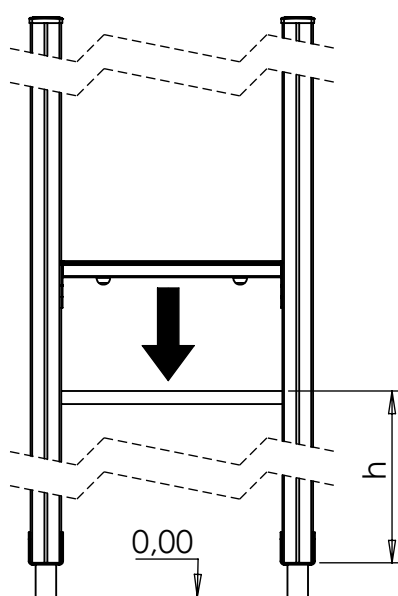
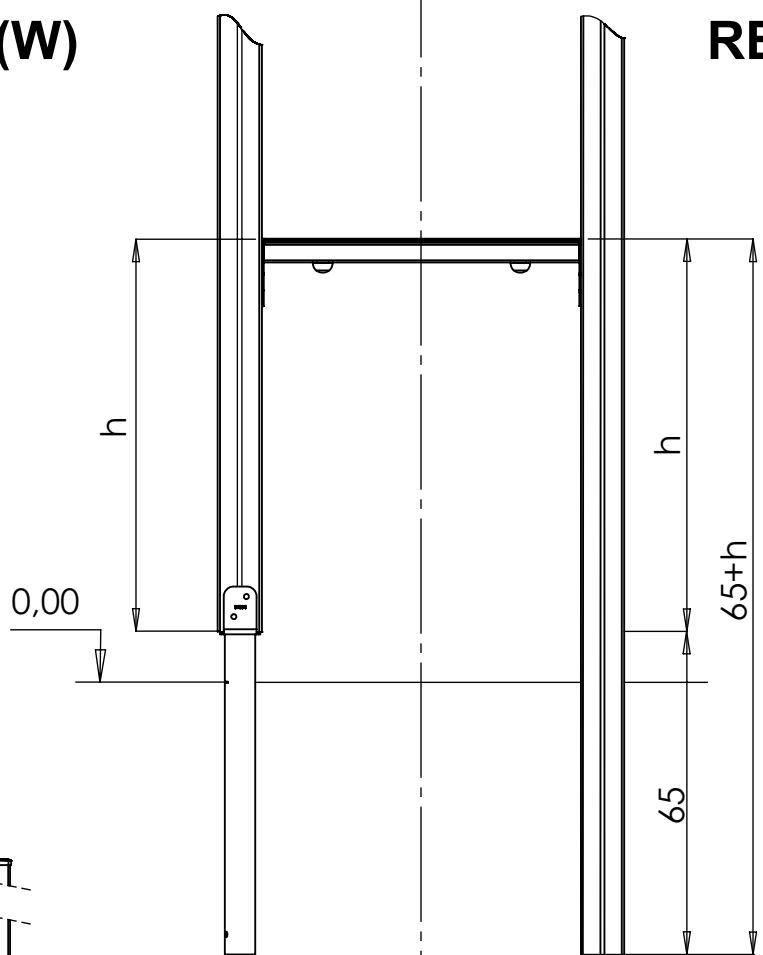


		PLYWOOD / HDPE		HPL	
16x	8x50 sxi (K2, K3)				
18x	8x50 sxi	1x	WD74	1x	WD75
4x	WD1	1x	WD28 (S1)	1x	WD29 (S1)
1x	E34 (K1, K3)	1x	WD113 (S6)	1x	WD114 (S6)
1x	E35 (K2)			1x	17p061 S6
1x	V001				



WOOD - (W)

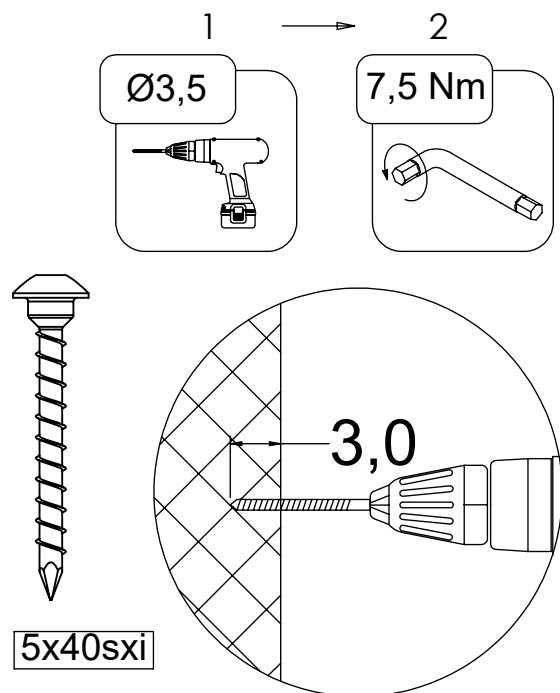
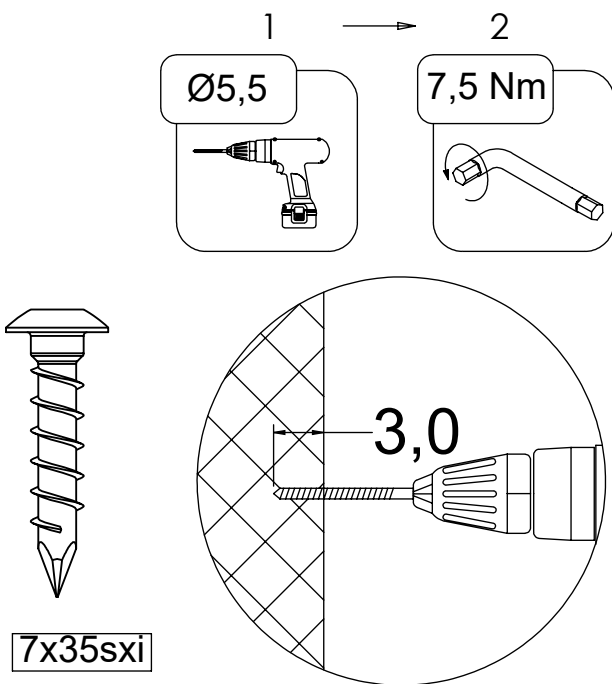
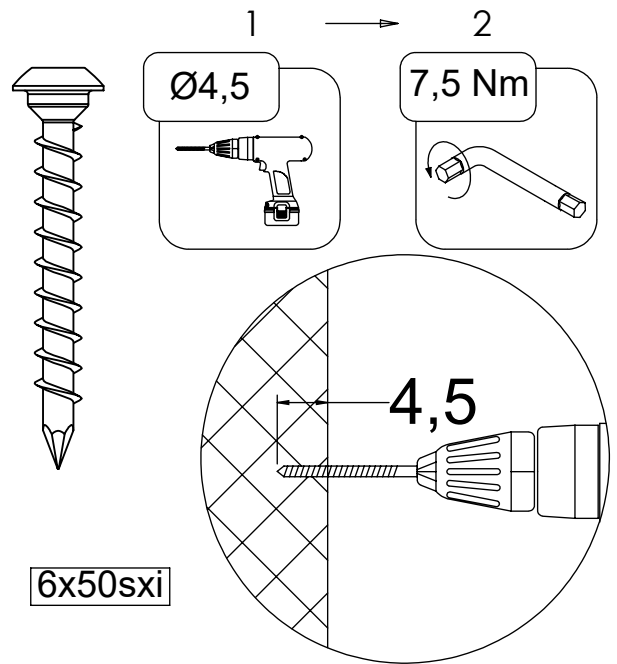
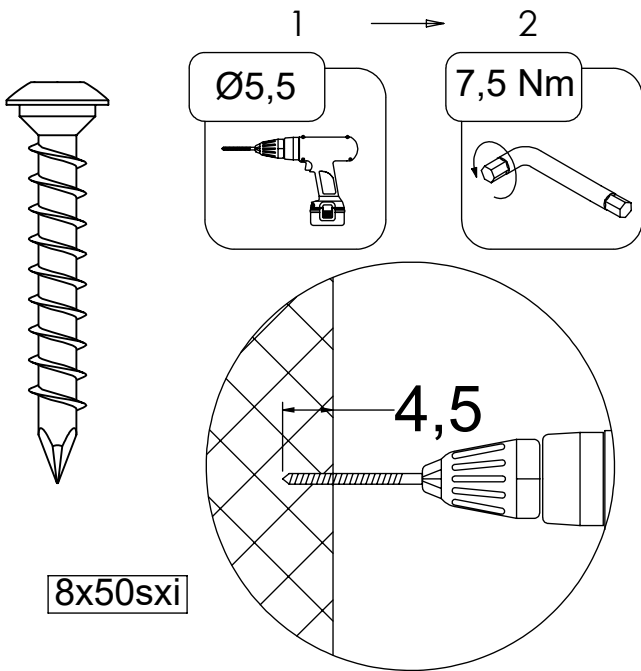
RECYCLED - (R)



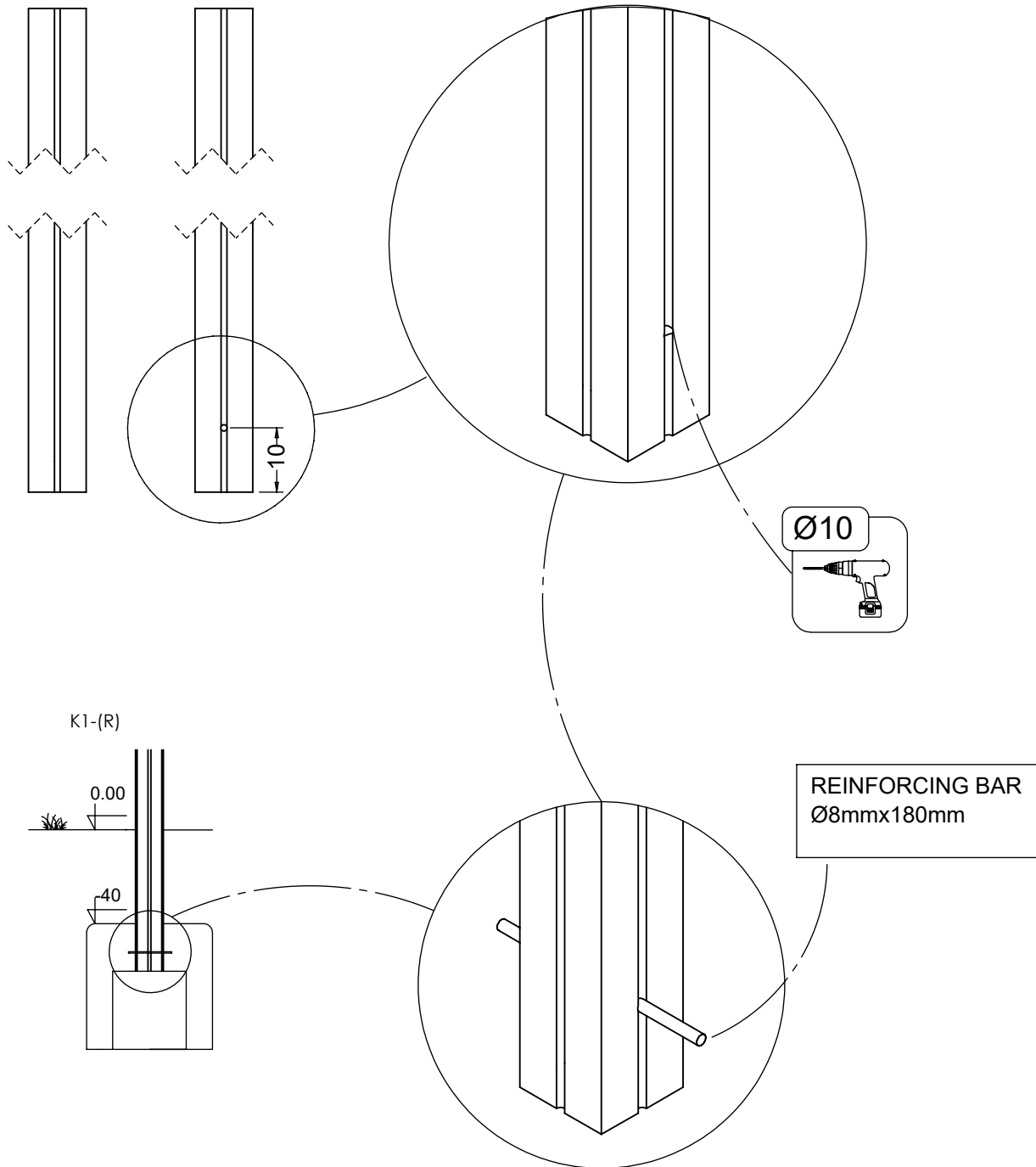
[cm]

vinci play

RECYCLED!



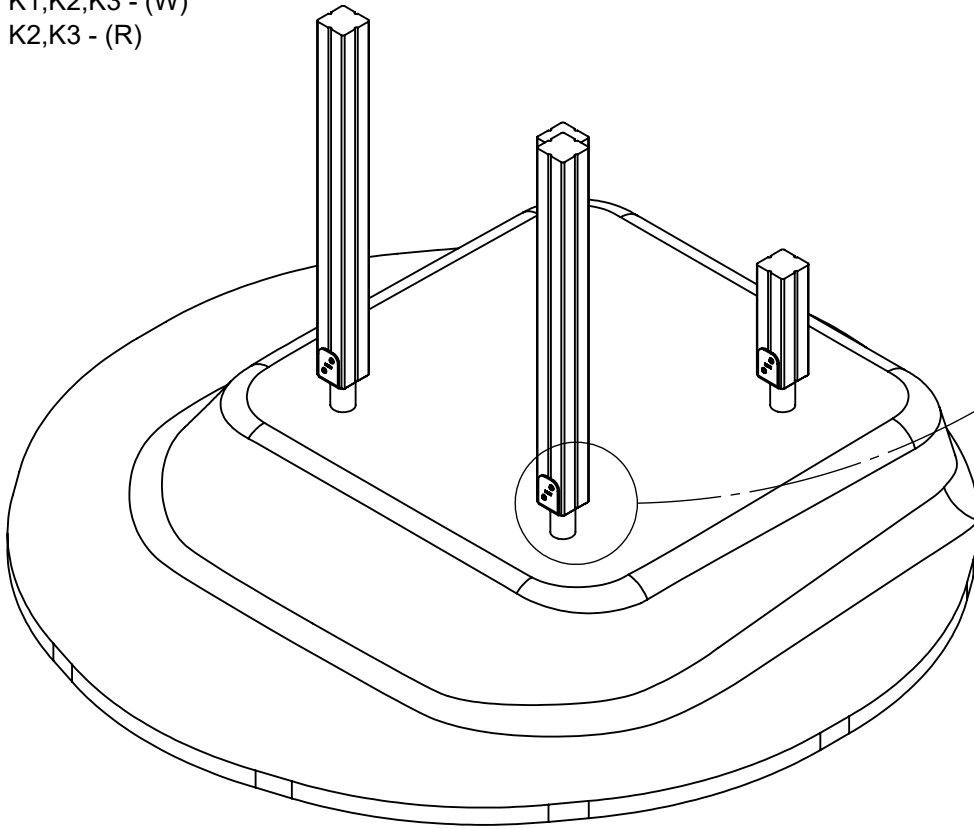
RECYCLED!



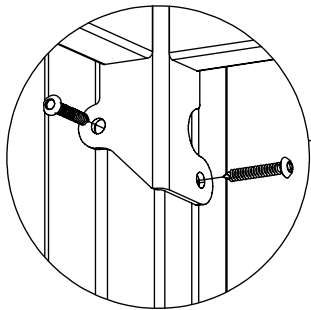
[cm]

vinci
play

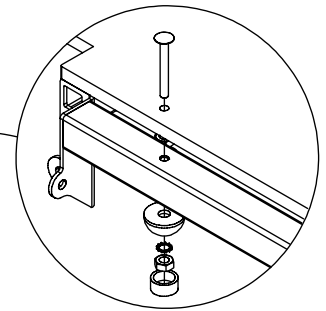
K1,K2,K3 - (W)
K2,K3 - (R)



8x50 sxi



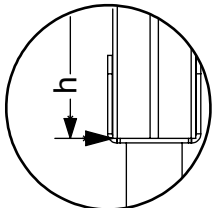
8x50 sxi



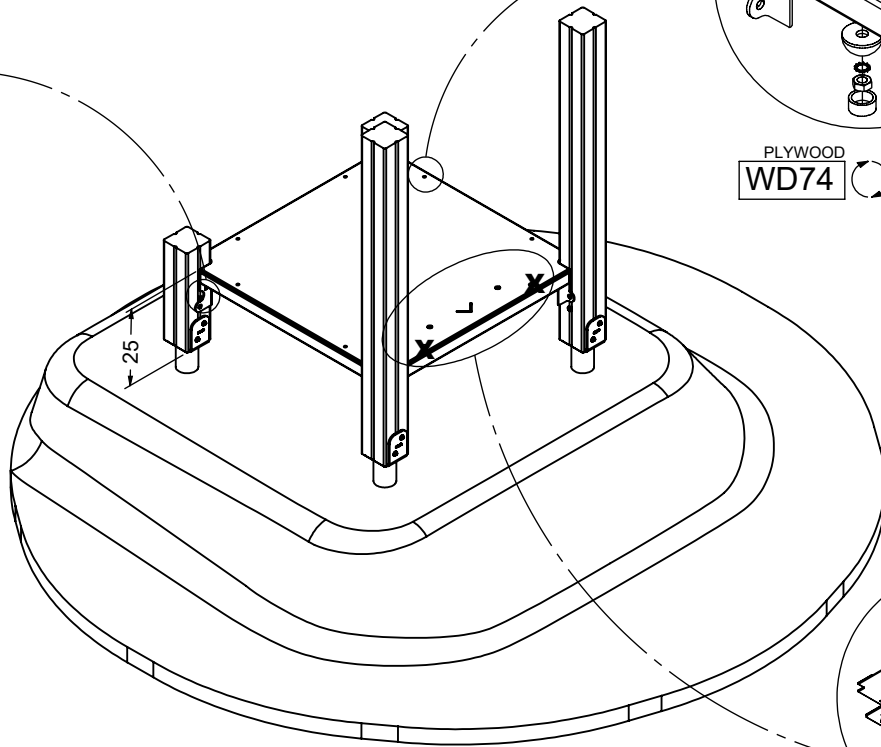
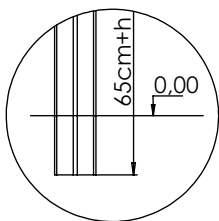
PLYWOOD
WD74

HPL
WD75

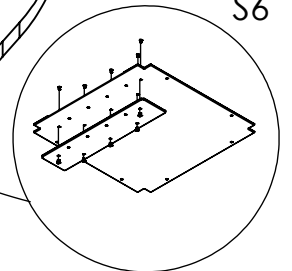
(W) - K1, K2,K3
(R) - K2, K3



(R)-K1



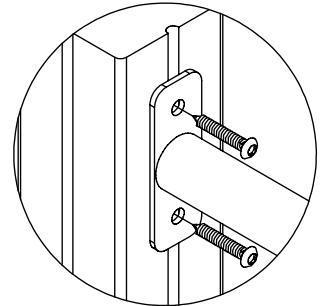
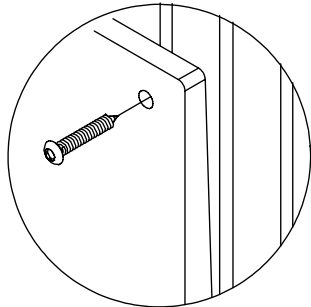
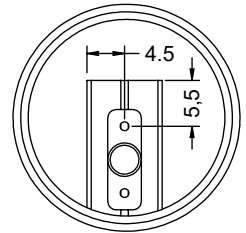
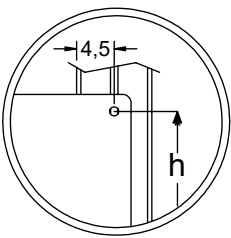
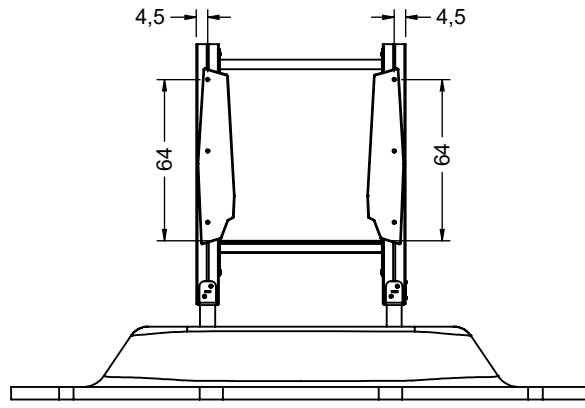
1x 17p061
S6



[cm]

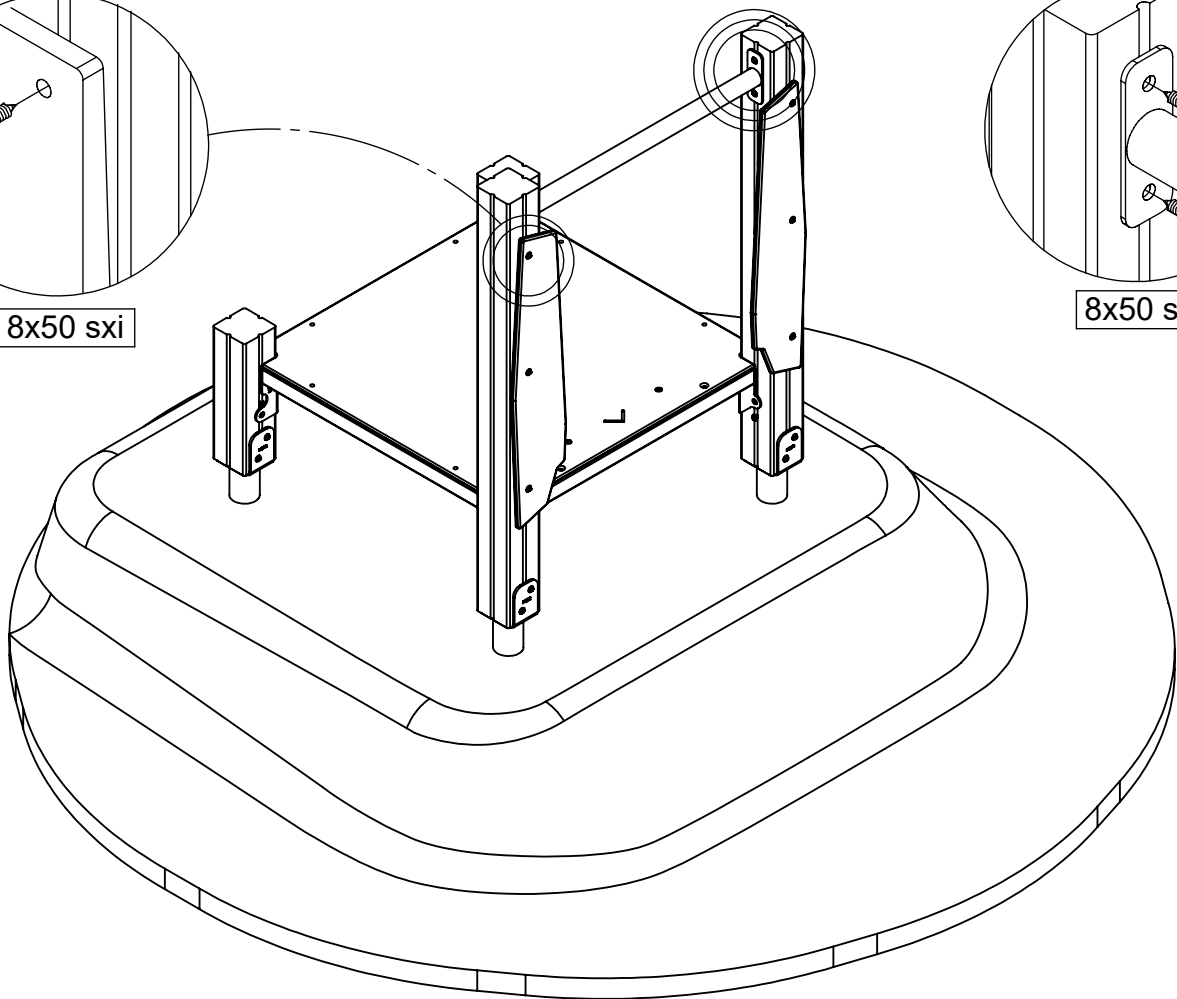


vinci
play



8x50 sxi

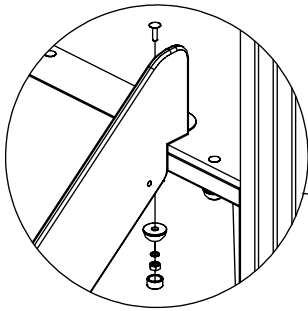
8x50 sxi



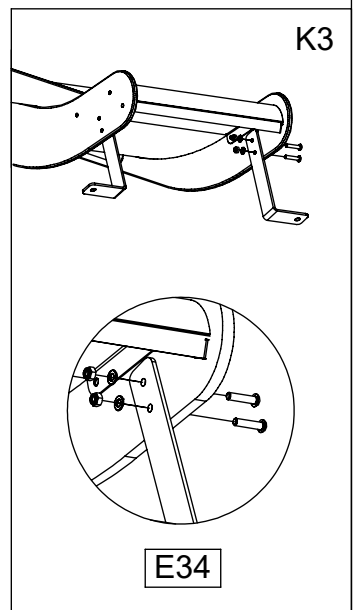
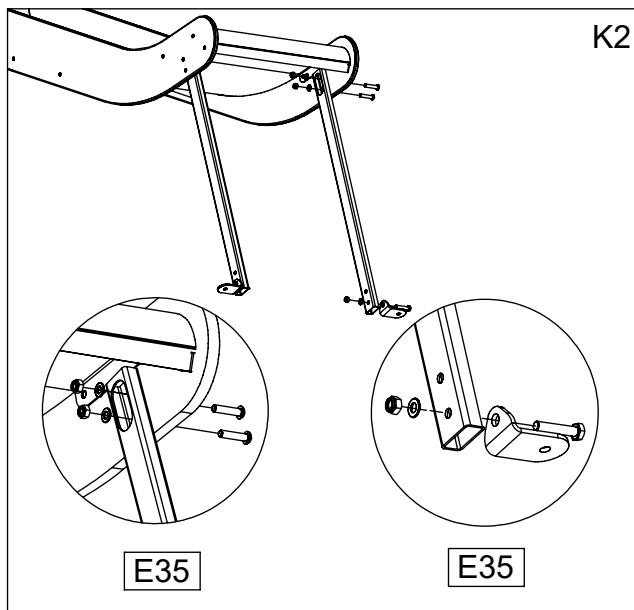
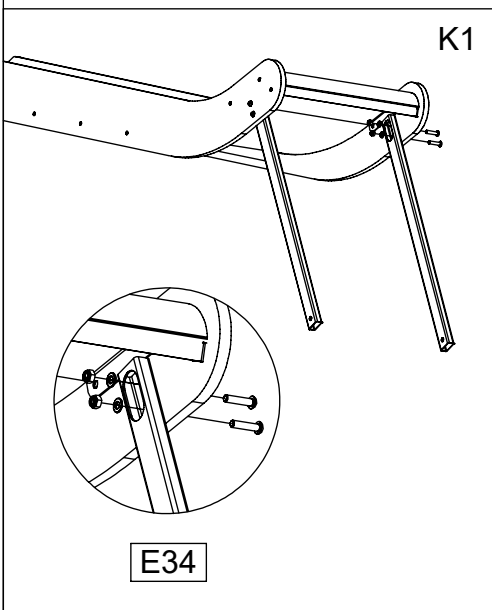
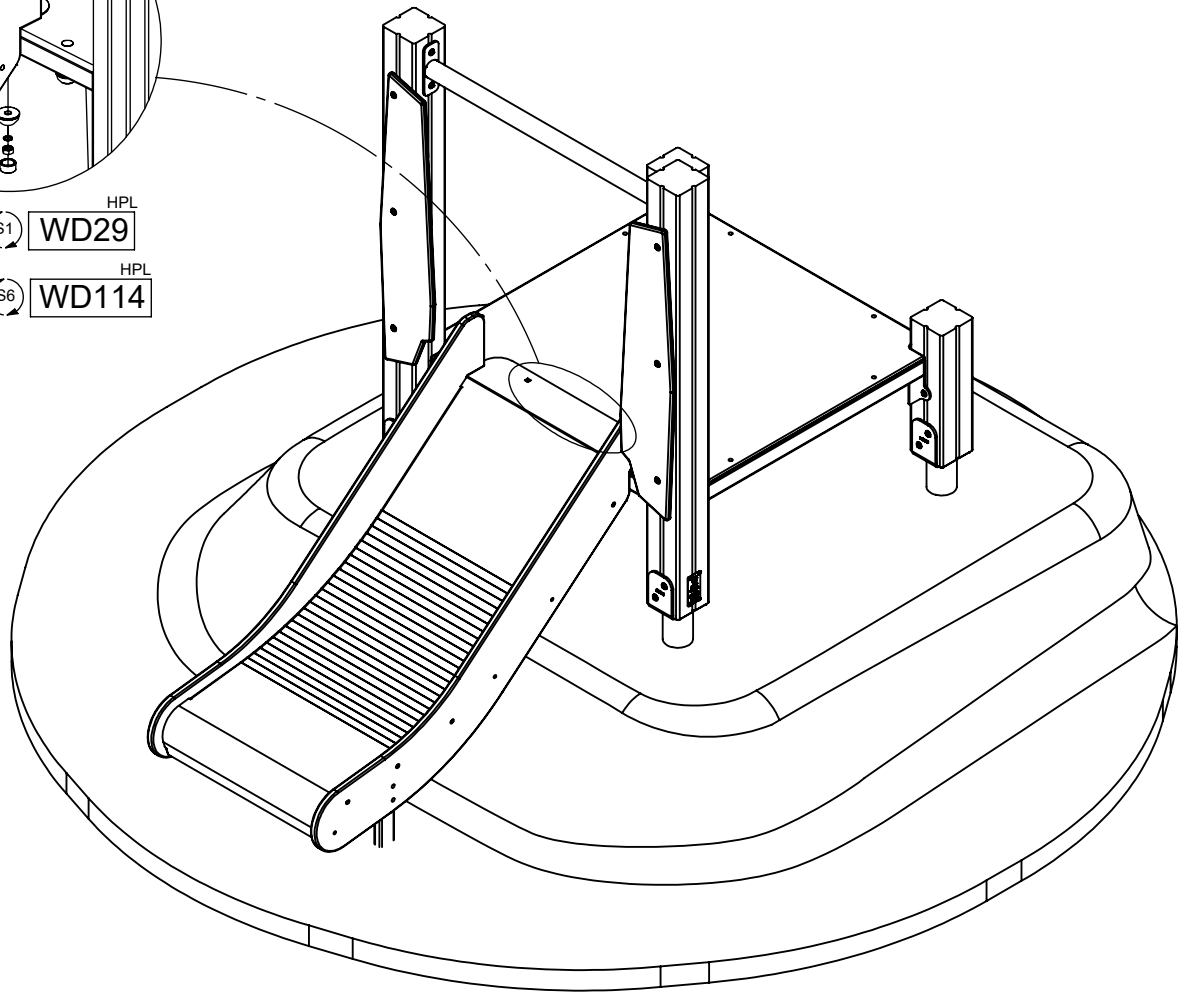
[cm]



vinci
play



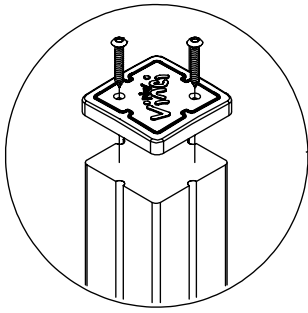
PLYWOOD HPL
WD28 (S1) **WD29**
 PLYWOOD HPL
WD113 (S6) **WD114**



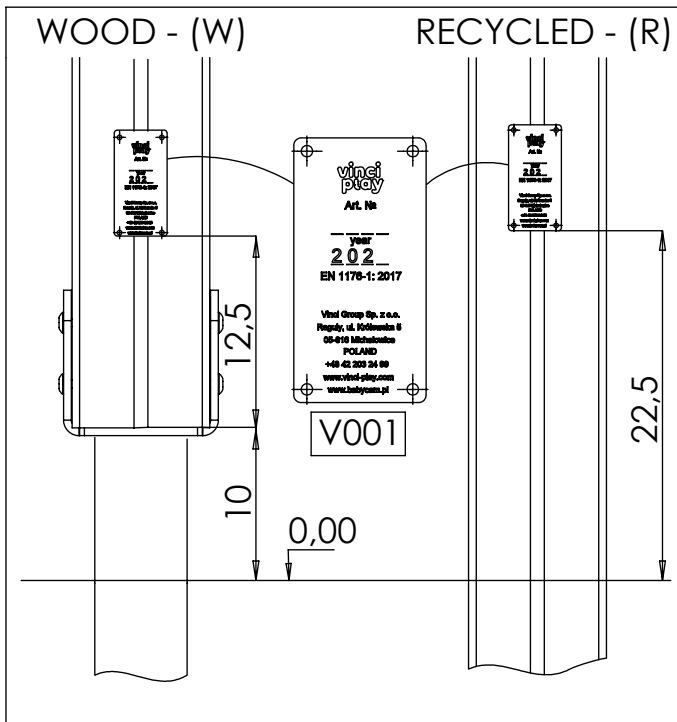
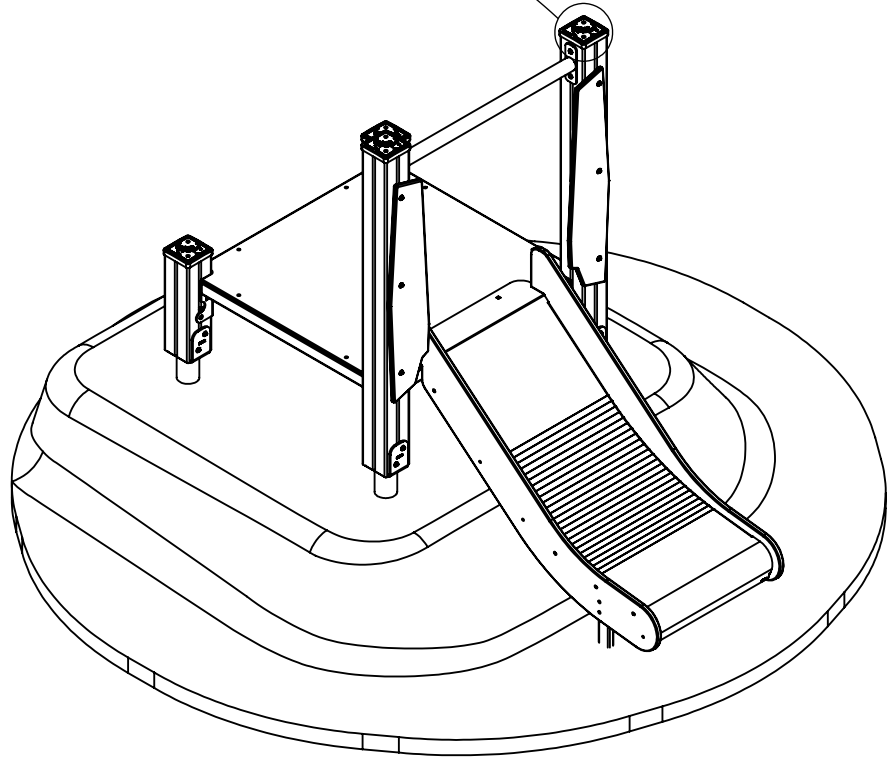
[cm]



vinci
 play

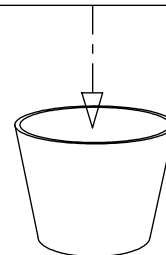


WD1



Part No:
00000-
00000

000000-00000



[cm]



vinci
play