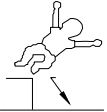
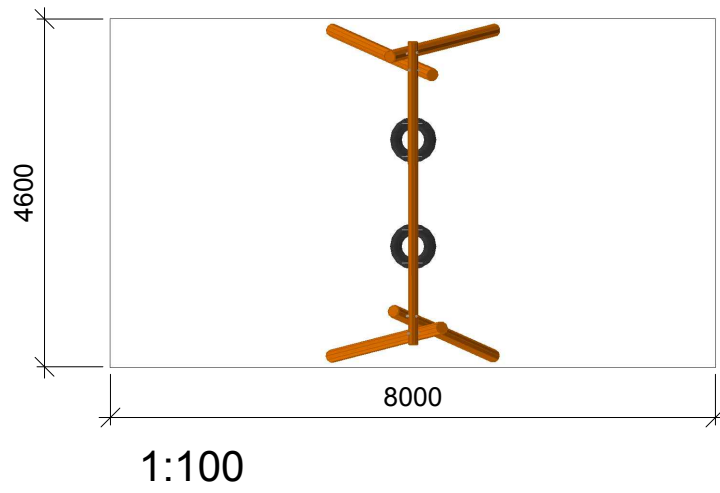
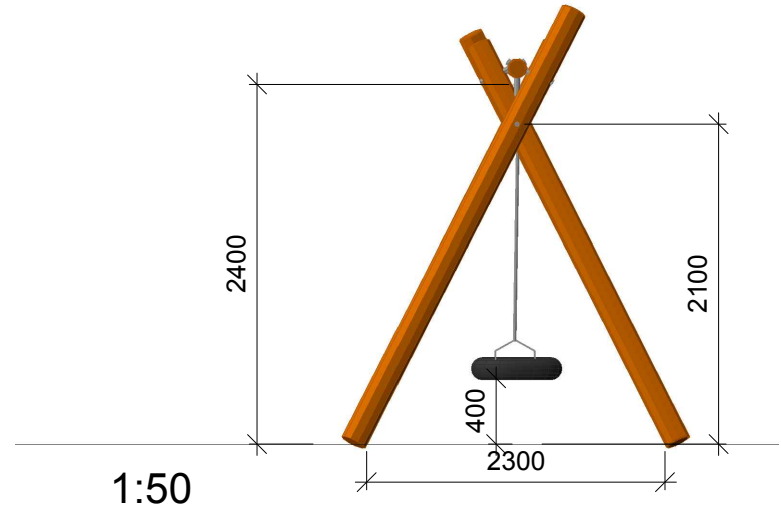
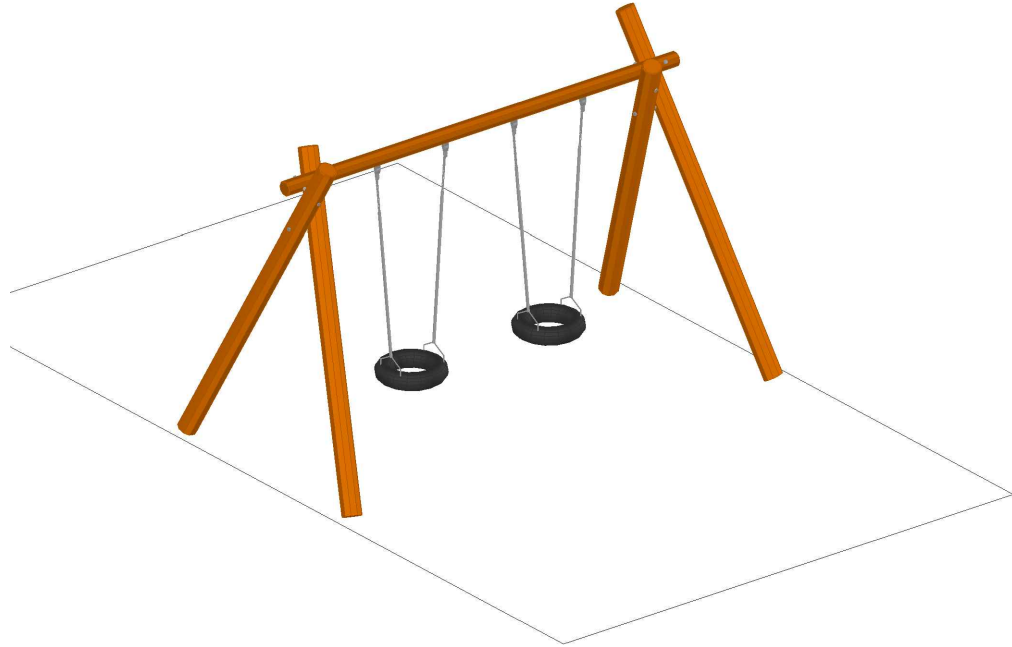


<b>NORLEG</b>	
Robinia Gynge A med 2 dæksæder	
LE 20200	
21.12.2012	REV. -

< 1500

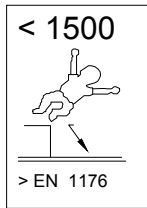


≥ EN 1176



This drawing is the property of NORLEG and pursuant to current legislation may not be copied, transferred to or used by any third party. Should this drawing be used, a fee of 10% of the assumed contract price will be charged.

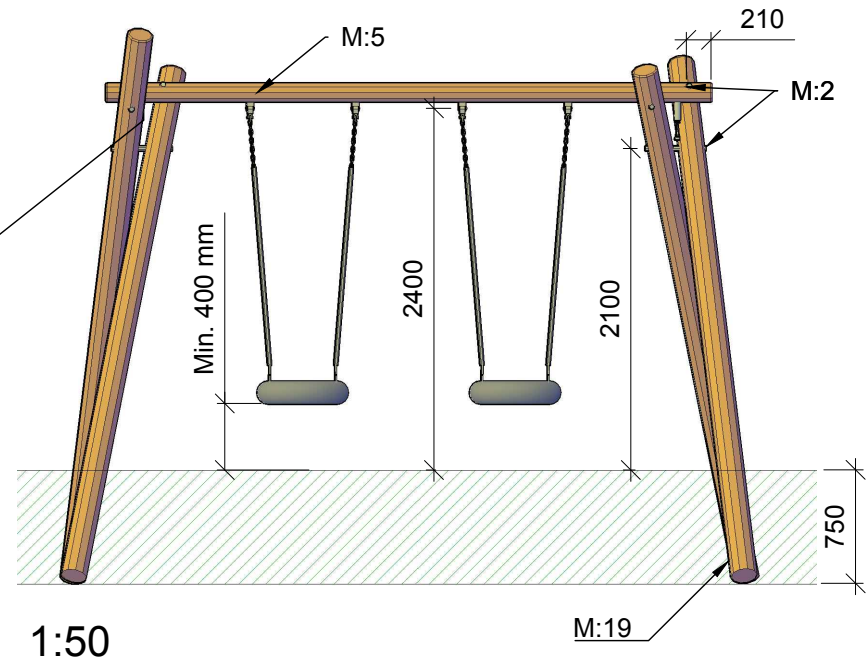
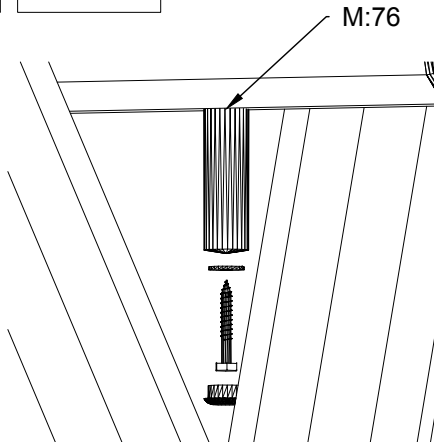
<b>NORLEG</b> - Mont.	
Robinia Gyng A med 2 dæksæder	
LE 20200	
21.12.2012	REV.



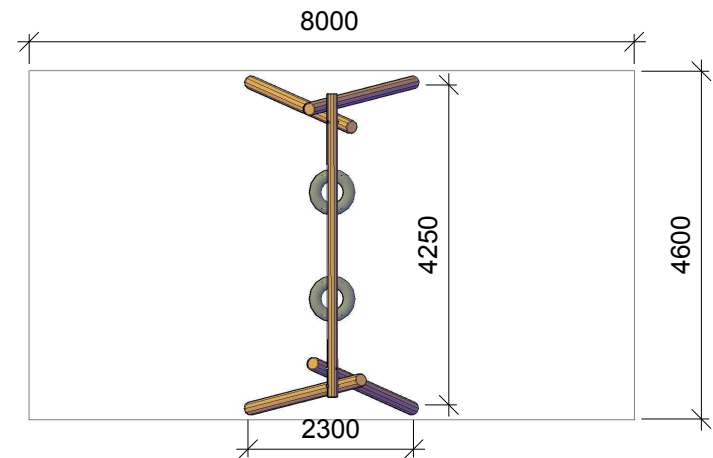
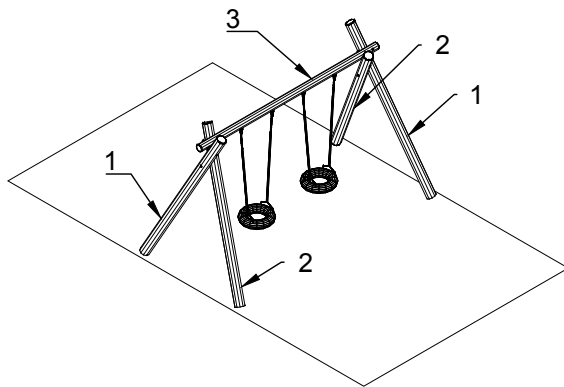
Mont.p. nr.

- 2
- 5
- 19
- 76

Robinia		
Mrk.	QTY	Part.no
1	2	140-160-4000
2	2	140-160-3800
3	1	120-140-3950



1:50



1:100

This drawing is the property of NORLEG and pursuant to current legislation may not be copied, transferred to or used by any third party. Should this drawing be used, a fee of 10% of the assumed contract price will be charged.