



Click or scan



Product description

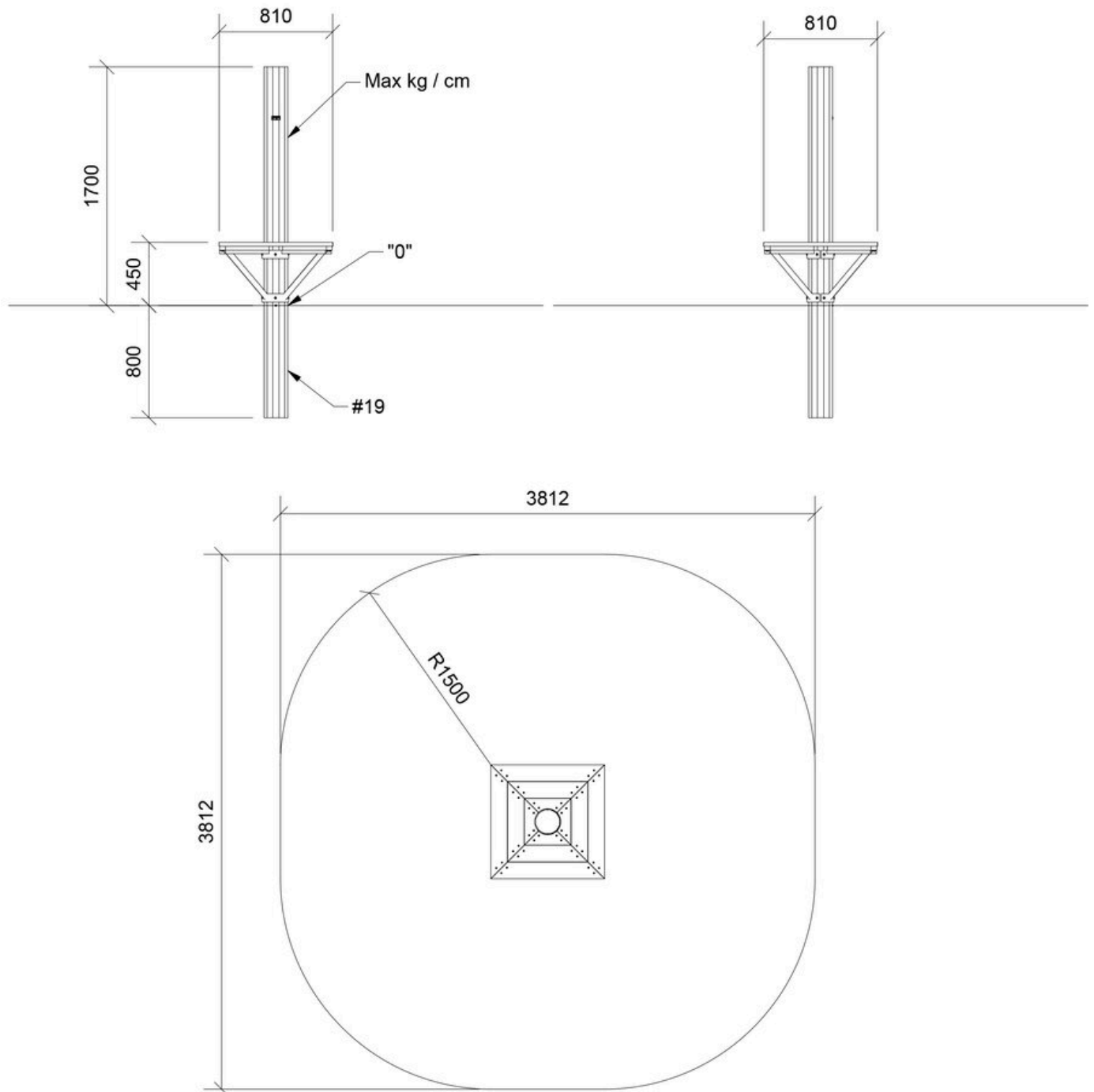


Age	2+
Number of users	4
Color	Uncolored
Primary materials	Robinia, Heartwood pine, Galvanised steel
Anchoring	Robinia in ground
Fall height	0,45 m
Dimensions (LxWxH)	0,8 x 0,8 x 1,7 m
Impact area	13 m ²
Minimum area	3,8 x 3,8 x 1,7 m

Variation	Color	Installation
LE20527	Chestnut	Robinia in ground

Warranty ([Terms and conditions](#))

Robinia	15 years
Heartwood pine	10 years
Galvanised steel	25 years



Assembly time
1 hours



Anchoring
Robinia in ground



Largest part
250 x 81 x 81 cm



Number of installers
2



Concrete
0,38 m³



Heaviest part
69 kg