

### Product description

The climbing pyramid invites and challenges children with a fun climbing experience where balance is also tested safely. They must navigate up and down, coordinate their movements, and judge distances. The equipment strengthens children's bodies and trains their motor coordination and balance.

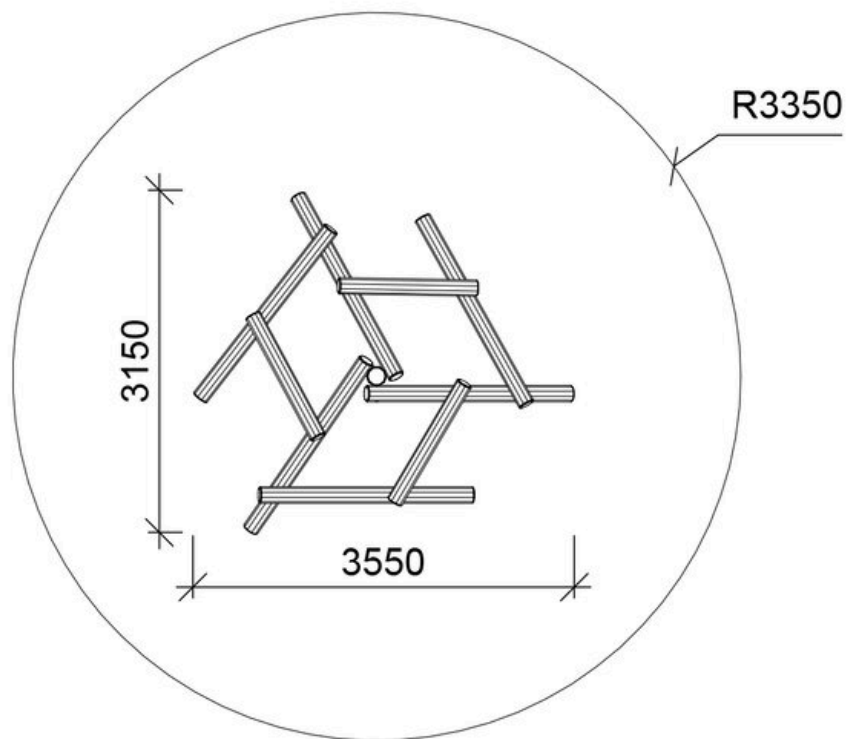
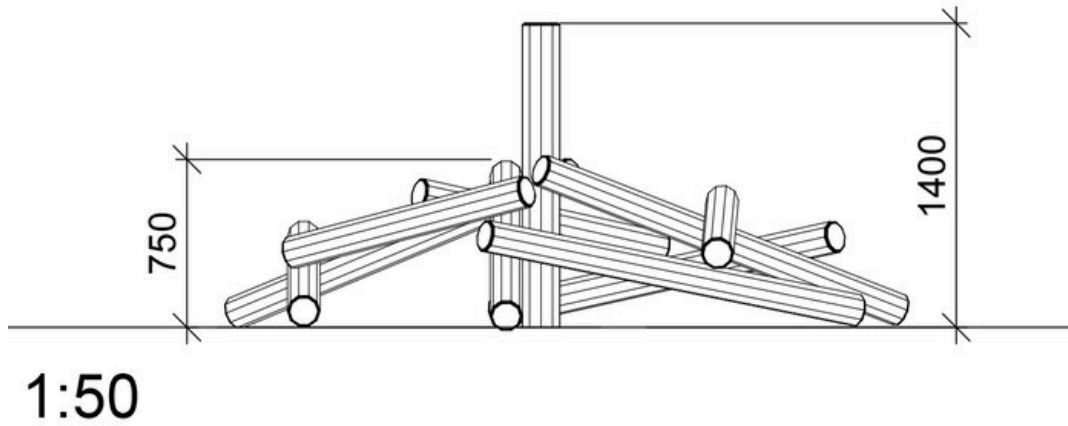
The size of the equipment allows several children to climb at the same time. In this way, social skills also come into play when, for example, children meet and need to switch sides.



Age	4+
Number of users	5
Color	Uncolored
Primary materials	Robinia
Anchoring	Robinia in ground
Fall height	0,8 m
Dimensions (LxWxH)	3,7 x 3,3 x 1,4 m
Impact area	12,5 m <sup>2</sup>
Minimum area	6,7 x 6,7 x 1,4 m

Variation	Color	Installation
LE20534	Chestnut	Robinia in ground

Warranty ( <a href="#">Terms and conditions</a> )	
Robinia	15 years



Assembly time  
**5 hours**



Anchoring  
**Robinia in ground**



Largest part  
**Ø17 x 200 cm**



Number of installers  
**2**



Concrete  
**0,08 m<sup>3</sup>**



Heaviest part  
**42,5 kg**