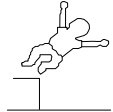
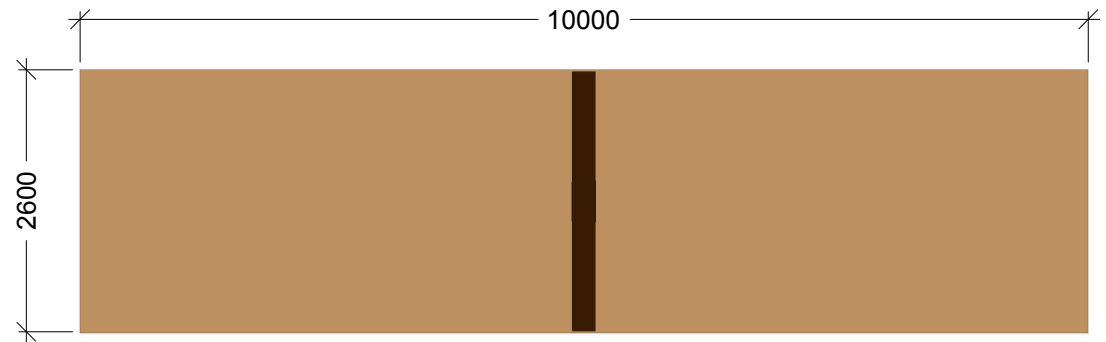
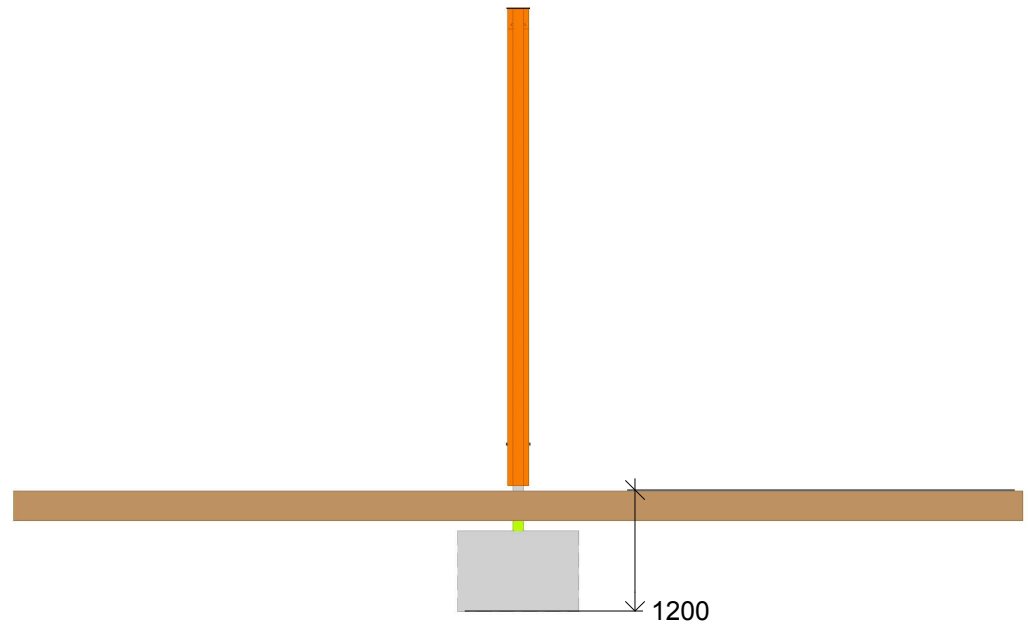
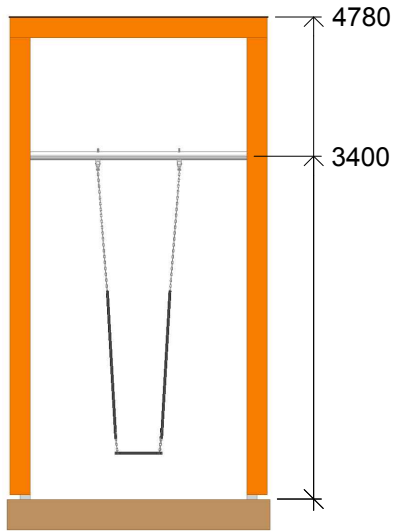


NORLEG	
Berlinergyngje	
04-018	
06.09.2017	REV. -

< 1875



≥ EN 1176



1:75

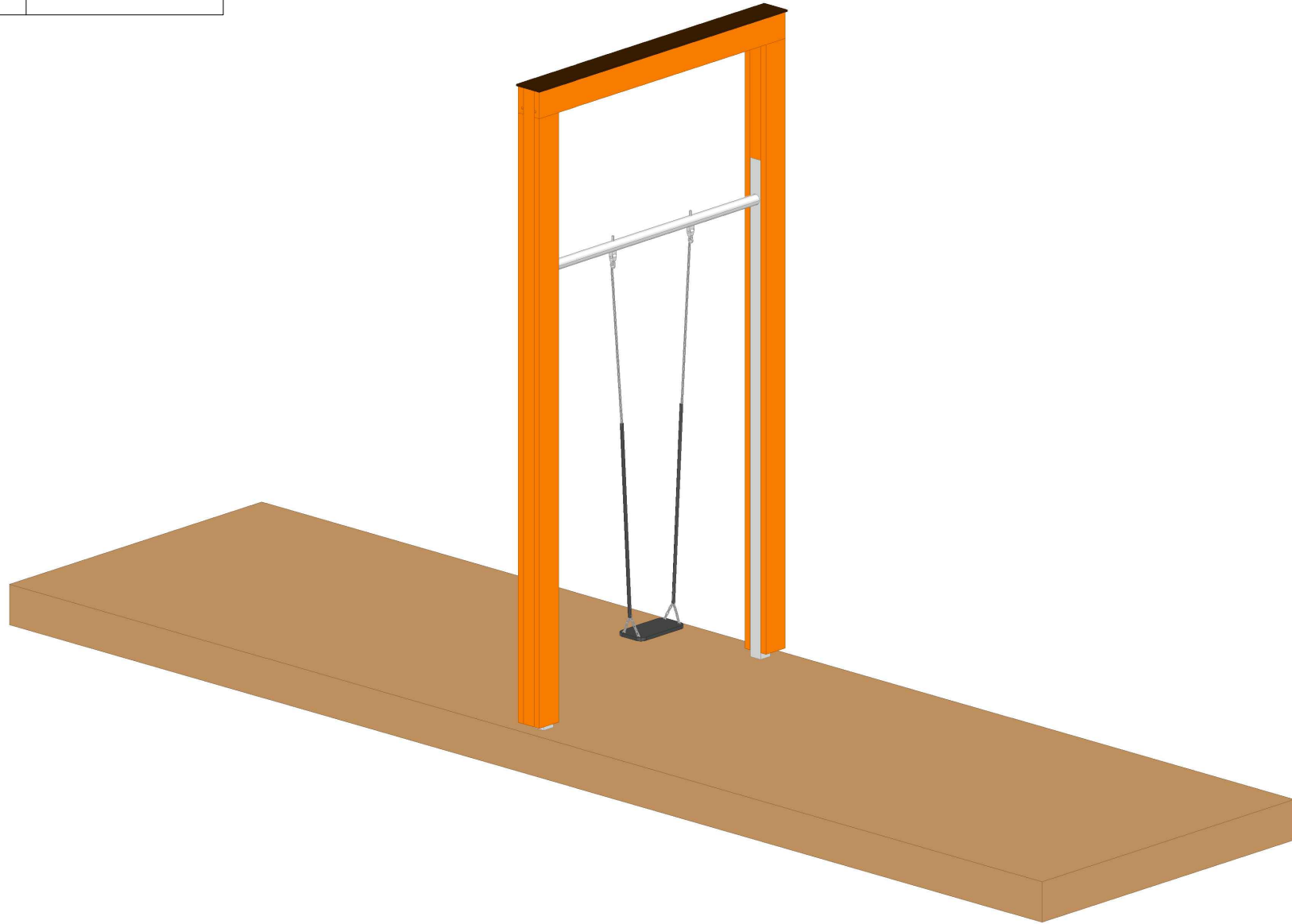
NORLEG - 3D

Berlinergyngge

04-018

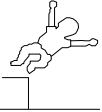
06.09.2017

REV. -




NORLEG - Mont.	
Berlinergyge	
04-018	
06.09.2017	REV. -

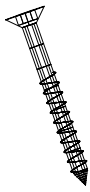
< 1875



≥ EN 1176

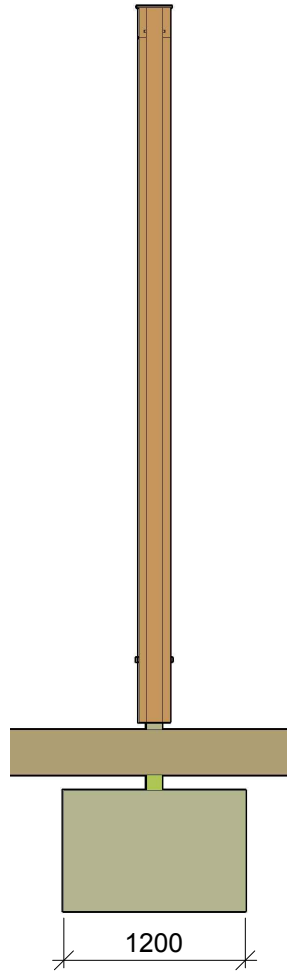
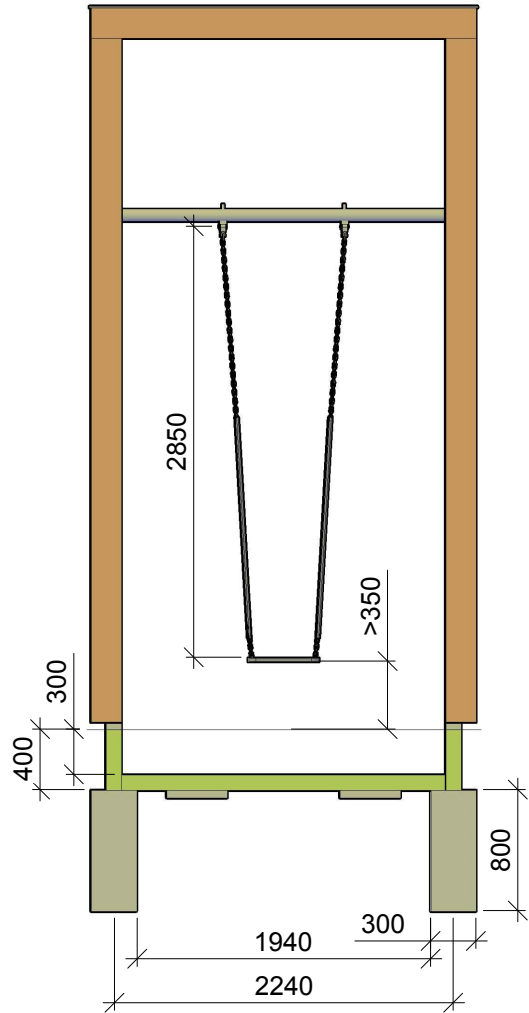
By assembly. Drilling and use of saw must be expected.

Dh = Disk head 

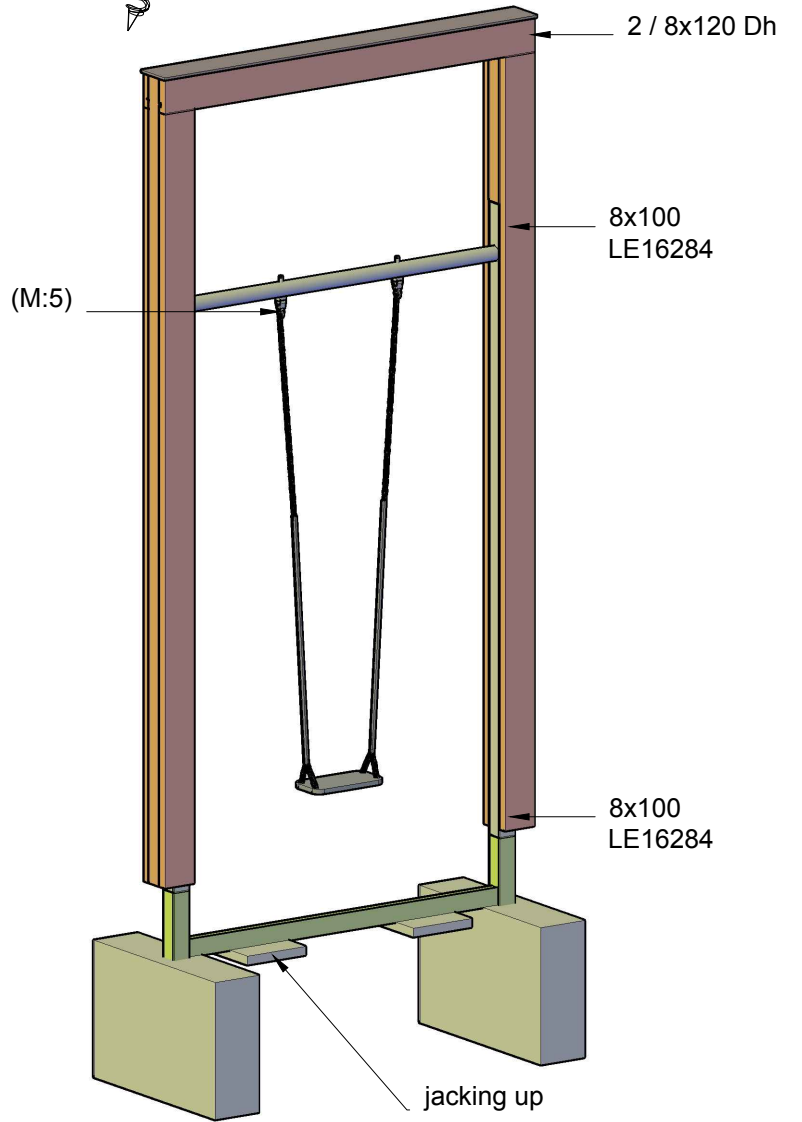
Ch = Countersunk head 

Mont.p. nr.

5



1:50



This drawing is the property of NORLEG and pursuant to current legislation may not be copied, transferred to or used by any third party. Should this drawing be used, a fee of 10% of the assumed contract price will be charged.