



Click or scan



Product description

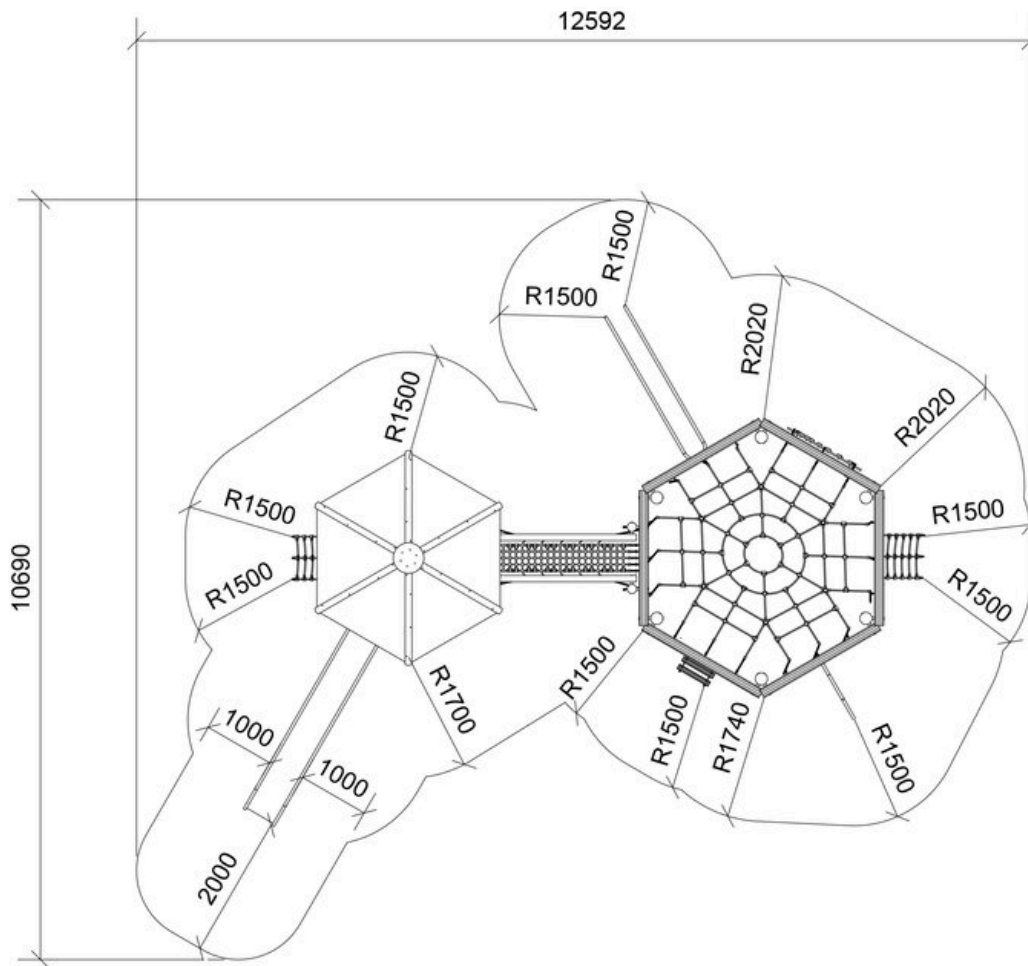
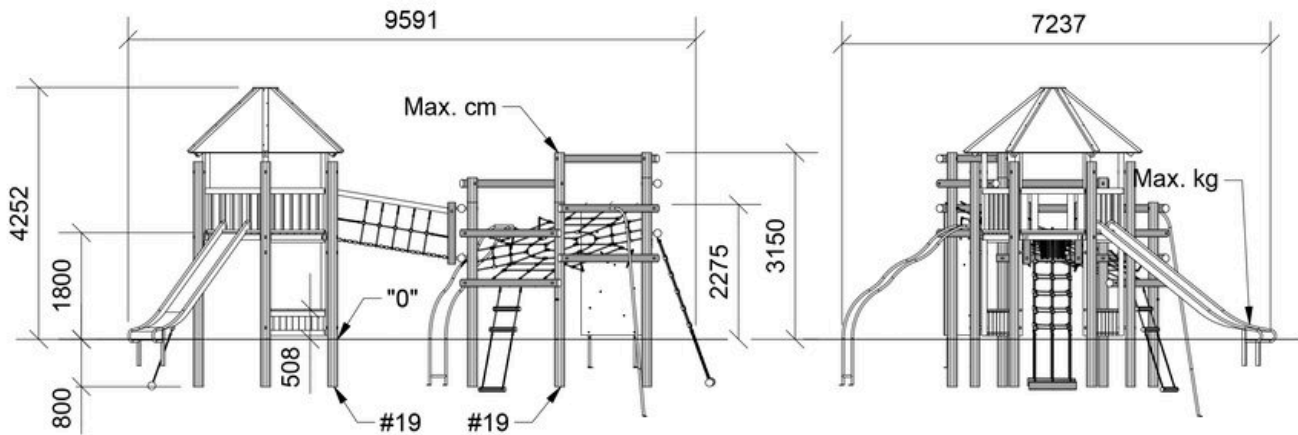


Age	5+
Number of users	10
Color	Uncolored
Primary materials	Robinia, Heartwood pine, Plywood, Taifun, Stainless steel
Anchoring	Robinia in ground
Fall height	2,3 m
Dimensions (LxWxH)	9,6 x 7,2 x 4,3 m
Impact area	81,2 m ²
Minimum area	12,6 x 10,7 x 4,3 m

Variation	Color	Installation
0102-024-101	Chestnut	Robinia in ground

Warranty ([Terms and conditions](#))

Robinia	15 years
Heartwood pine	10 years
Plywood	5 years
Taifun	5 years
Stainless steel	25 years



Assembly time
50 hours



Anchoring
Robinia in ground



Largest part
Ø16/18 x 395 cm



Number of installers
2



Concrete
0,46 m³



Heaviest part
146 kg