



Click or scan



### Product description

Explore the art of balance with this sturdy inclined balance beam with steps. A twist on the classic balance beam that challenges children by combining balancing with navigating up and down the steps.

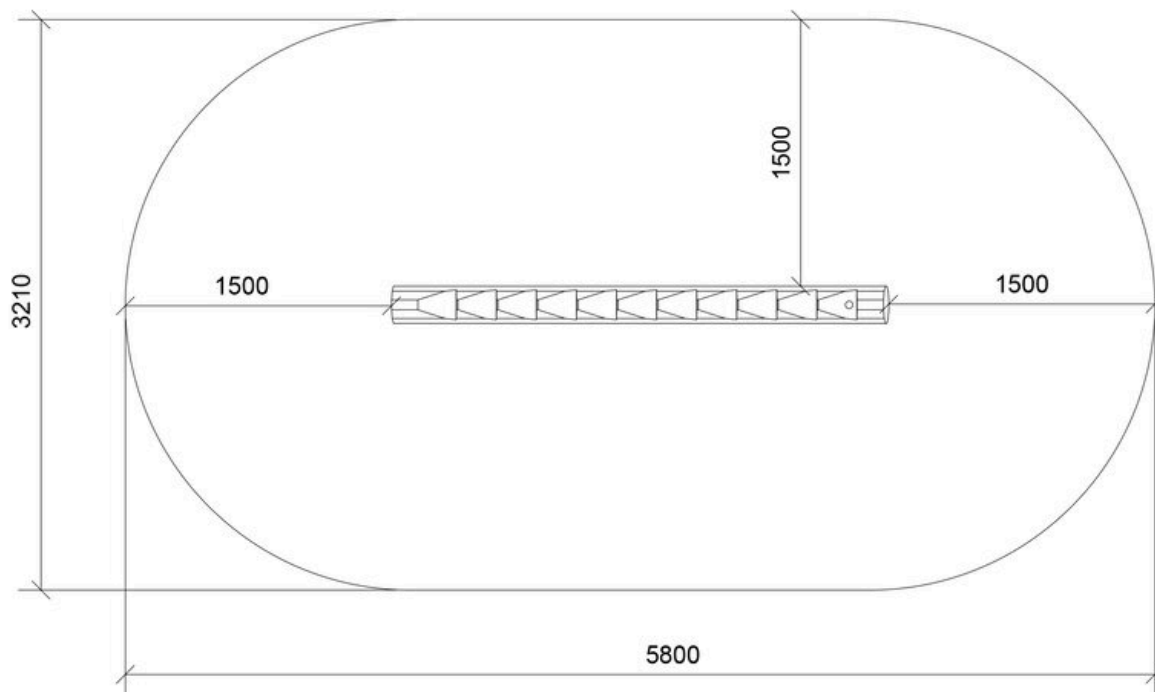
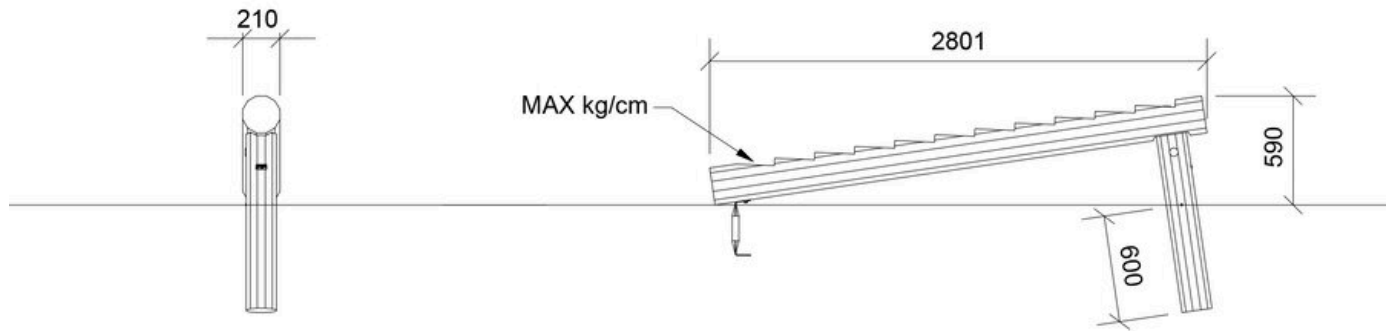
The added steps make the beam more accessible and introduce a new dimension in children's play, where they develop motor skills and balance.



Age	3+
Number of users	2
Color	Uncolored
Primary materials	Robinia
Anchoring	Robinia in ground
Fall height	0,6 m
Dimensions (LxWxH)	2,8 x 0,2 x 0,6 m
Impact area	16,2 m <sup>2</sup>
Minimum area	5,8 x 3,2 x 0,6 m

Variation	Color	Installation
LE20529	Chestnut	Robinia in ground

Warranty ( <a href="#">Terms and conditions</a> )	
Robinia	15 years



Assembly time  
**2,5 hours**



Anchoring  
**Robinia in ground**



Largest part  
**Ø16/18 x 280 cm**



Number of installers  
**2**



Concrete  
**0,07 m<sup>3</sup>**



Heaviest part  
**65 kg**