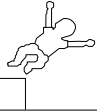
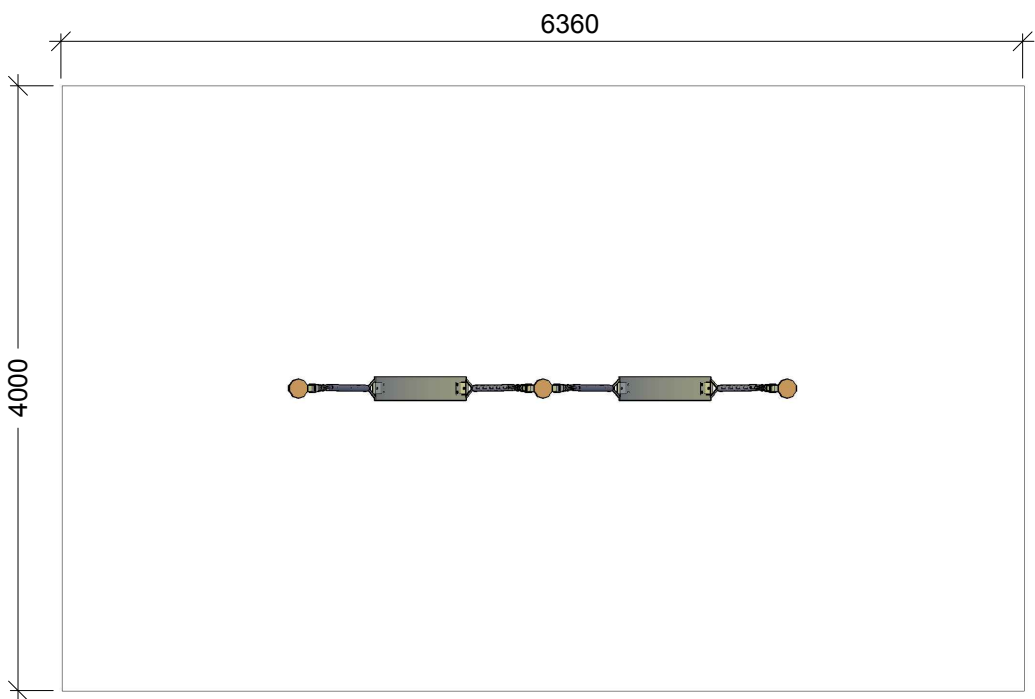
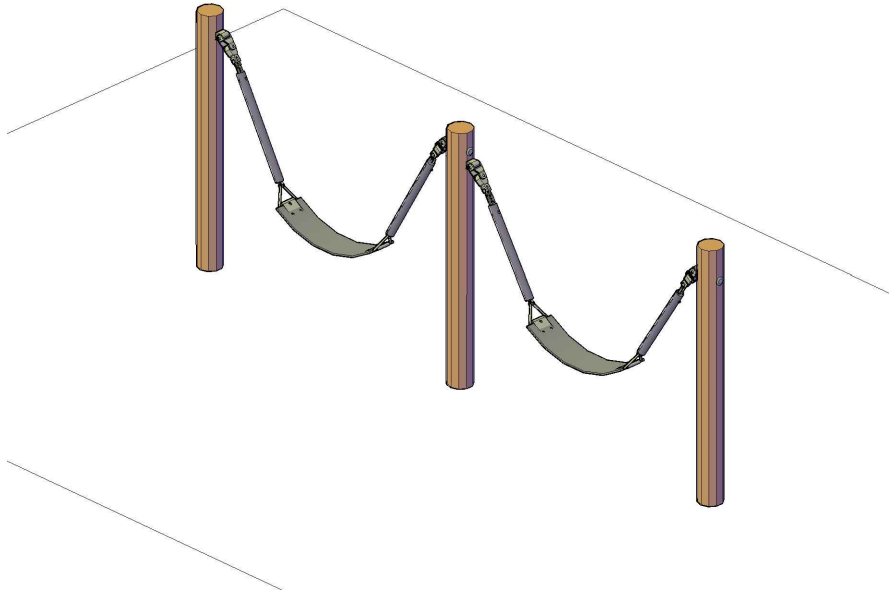
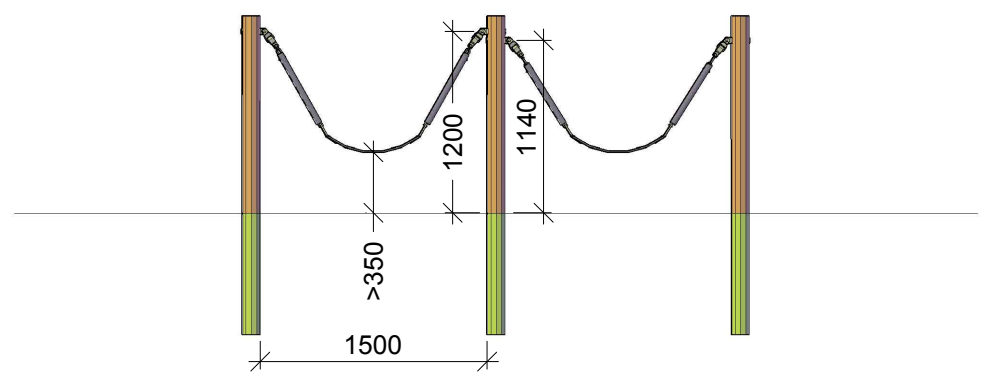
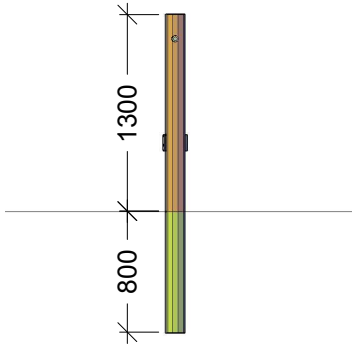


NORLEG	
Robinia stolpegyngje m. 2 sæder	
N3262	
01.02.2016	REV. A: 21.11.2018

< 800



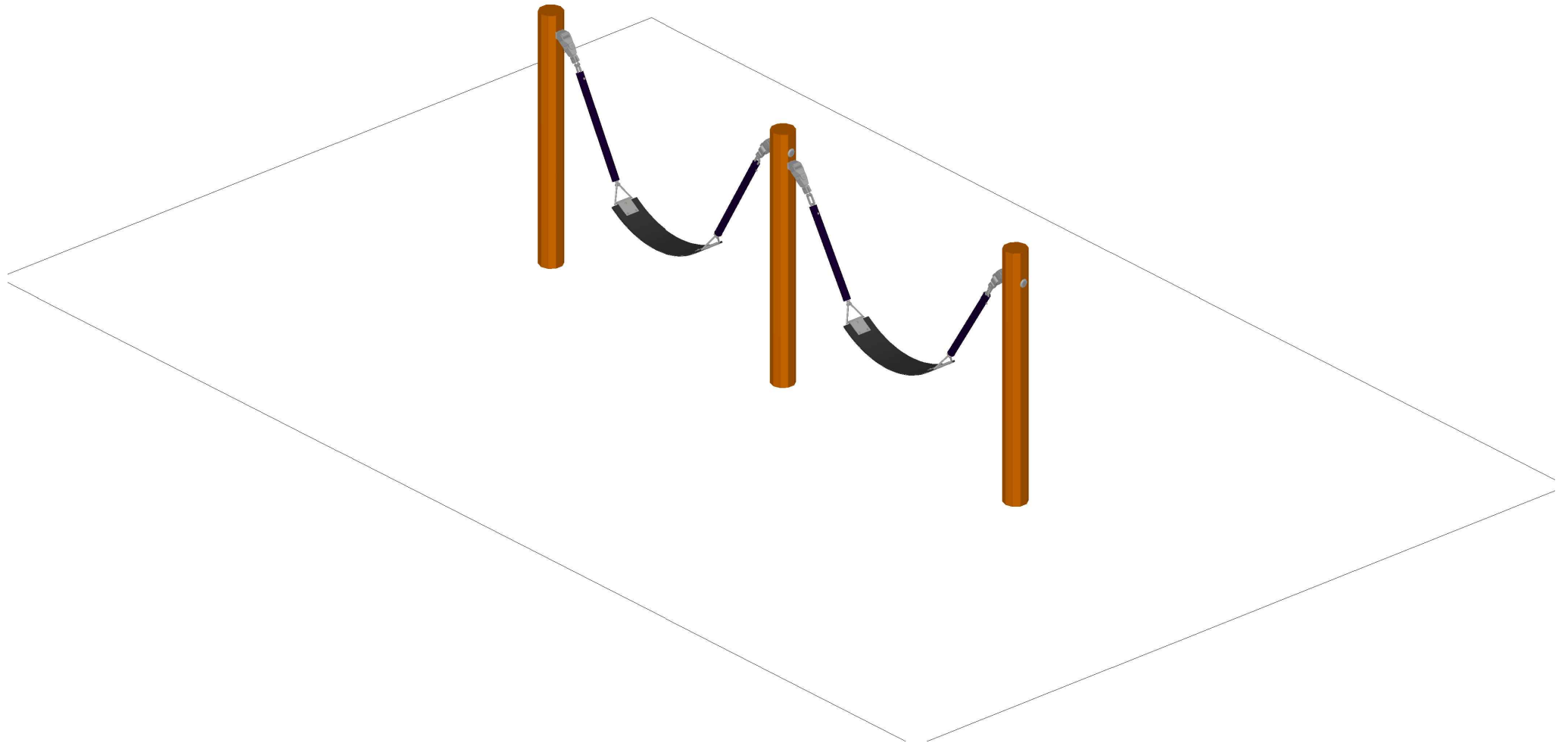
≥ EN 1176



This drawing is the property of NORLEG and pursuant to current legislation may not be copied, transferred to or used by any third party. Should this drawing be used, a fee of 10% of the assumed contract price will be charged.

1:50


NORLEG - 3D	
Robinia stolpegyngе m. 2 sæder	
N3262	
01.02.2016	REV. A: 21.11.2018



This drawing is the property of NORLEG and pursuant to current legislation may not be copied, transferred to or used by any third party. Should this drawing be used, a fee of 10% of the assumed contract price will be charged.

NORLEG - Mont.	
Robinia stolpegynge m. 2 sæder	
N3262	
01.02.2016	REV. A: 21.11.2018

< 800

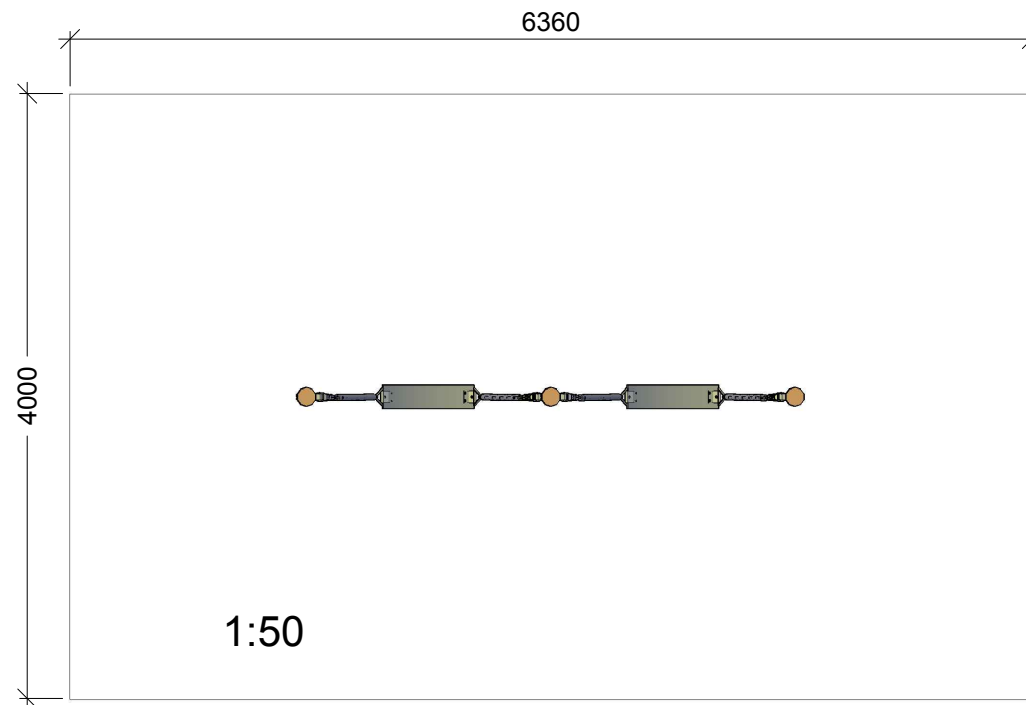
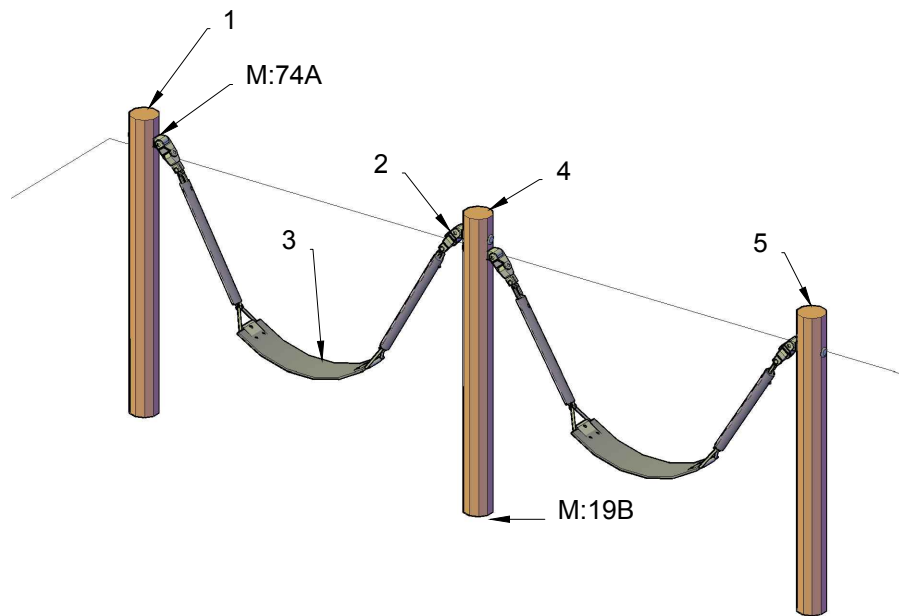
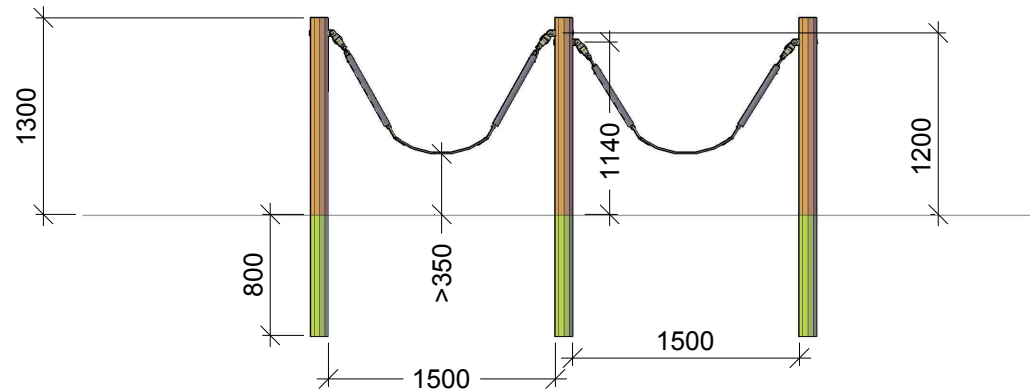


≥ EN 1176

Mont.p. nr.

19B
74A

Parts list		
Mrk.	QTY	Part.no
1	2	100-120-2100
2	2	LE20183
3	1	LE20150
4	1	100-120-2100
5	1	100-120-2100



This drawing is the property of NORLEG and pursuant to current legislation may not be copied, transferred to or used by any third party. Should this drawing be used, a fee of 10% of the assumed contract price will be charged.