



Click or scan



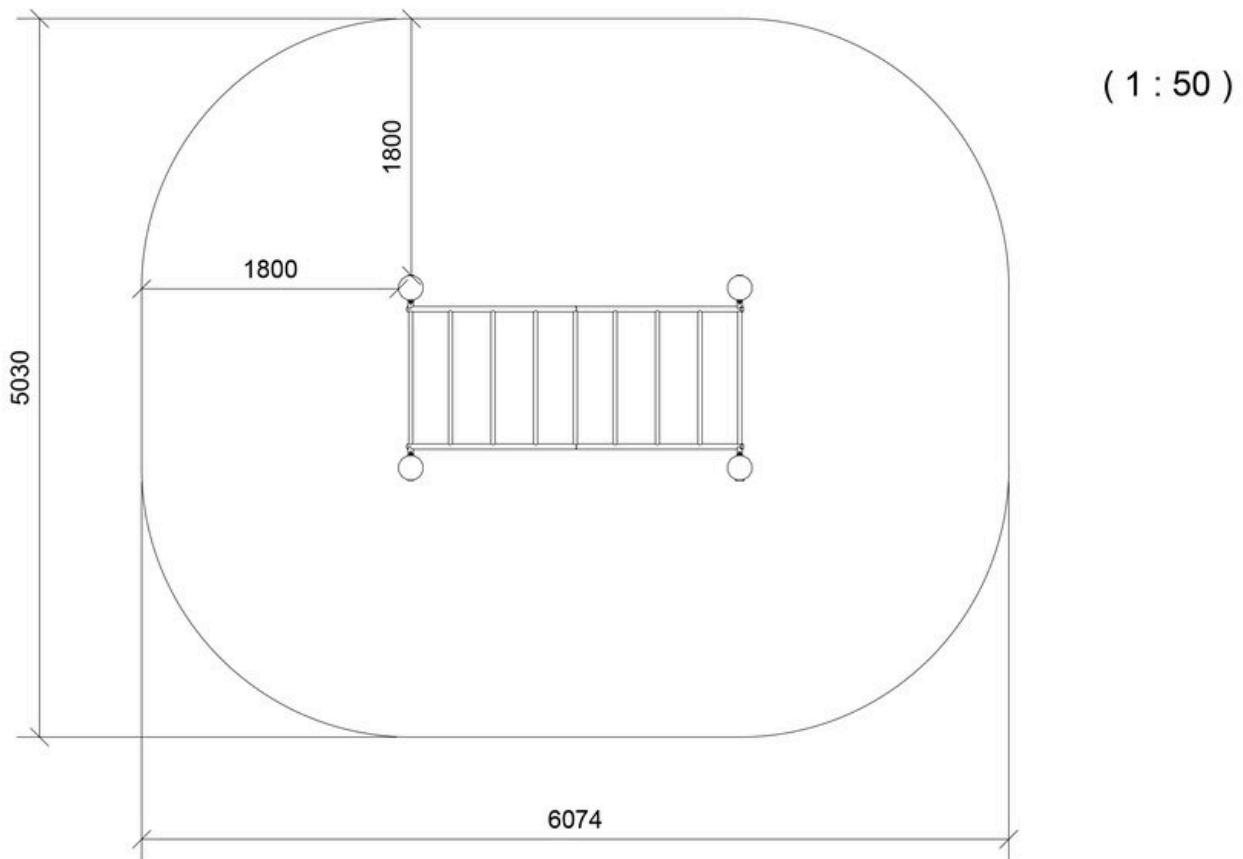
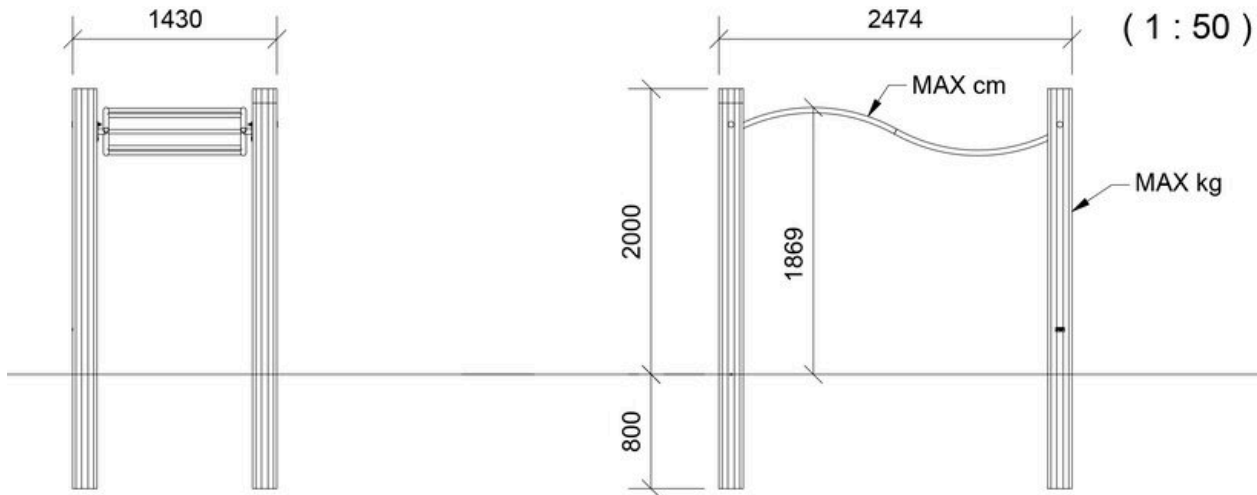
### Product description



Age	8+
Number of users	2
Color	Uncolored
Primary materials	Robinia, Stainless steel
Anchoring	Robinia in ground
Fall height	1,9 m
Dimensions (LxWxH)	2,5 x 1,4 x 2 m
Impact area	27,4 m <sup>2</sup>
Minimum area	6,1 x 5,1 x 2 m

Variation	Color	Installation
LE20922	Chestnut	Robinia in ground

Warranty ( <a href="#">Terms and conditions</a> )	
Robinia	15 years
Stainless steel	25 years



Assembly time  
**6 hours**



Anchoring  
**Robinia in ground**



Largest part  
**235 x 109 x 35 cm**



Number of installers  
**2**



Concrete  
**0,15 m<sup>3</sup>**



Heaviest part  
**65 kg**