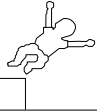
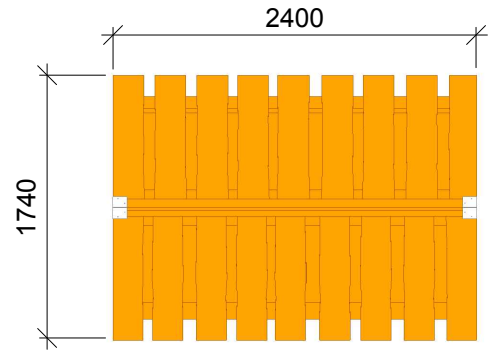
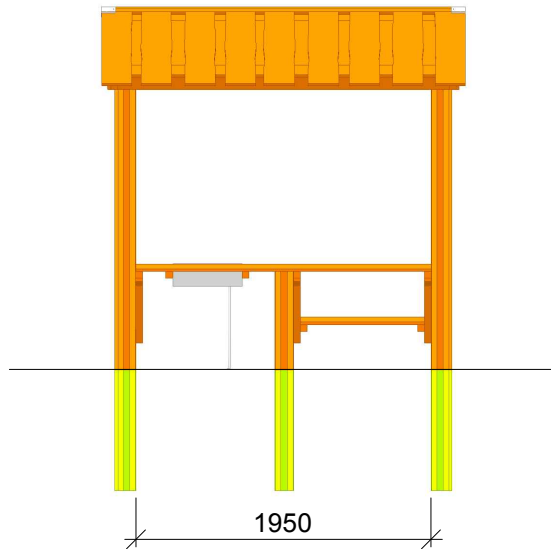
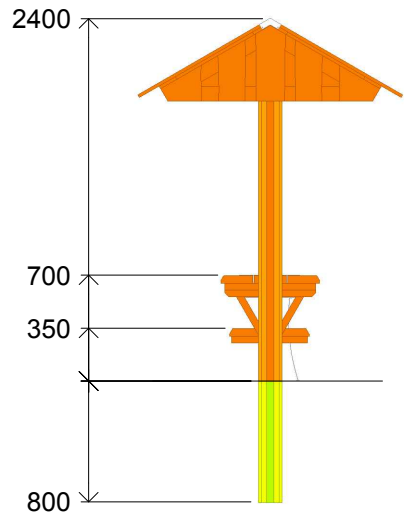


NORLEG	
Udekøkken m.vask og hylde	
LE 20082	
13.11.2006	REV. B:20.12.2017

< 750



≥ EN 1176



This drawing is the property of NORLEG and pursuant to current legislation may not be copied, transferred to or used by any third party. Should this drawing be used, a fee of 10% of the assumed contract price will be charged.

1:50

NORLEG	
Udekøkken m.vask og hylde	
LE 20082	
13.11.2006	REV. B:20.12.2017

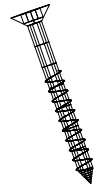


By assembly. Drilling and use of saw must be expected.

Dh = Disk head



Ch = Countersunk head

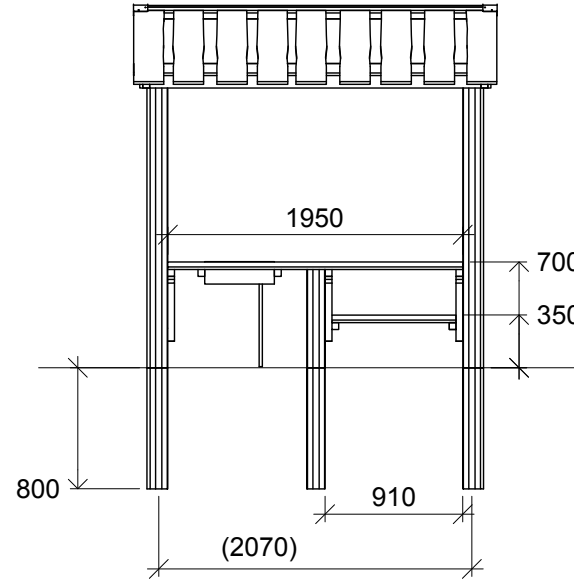
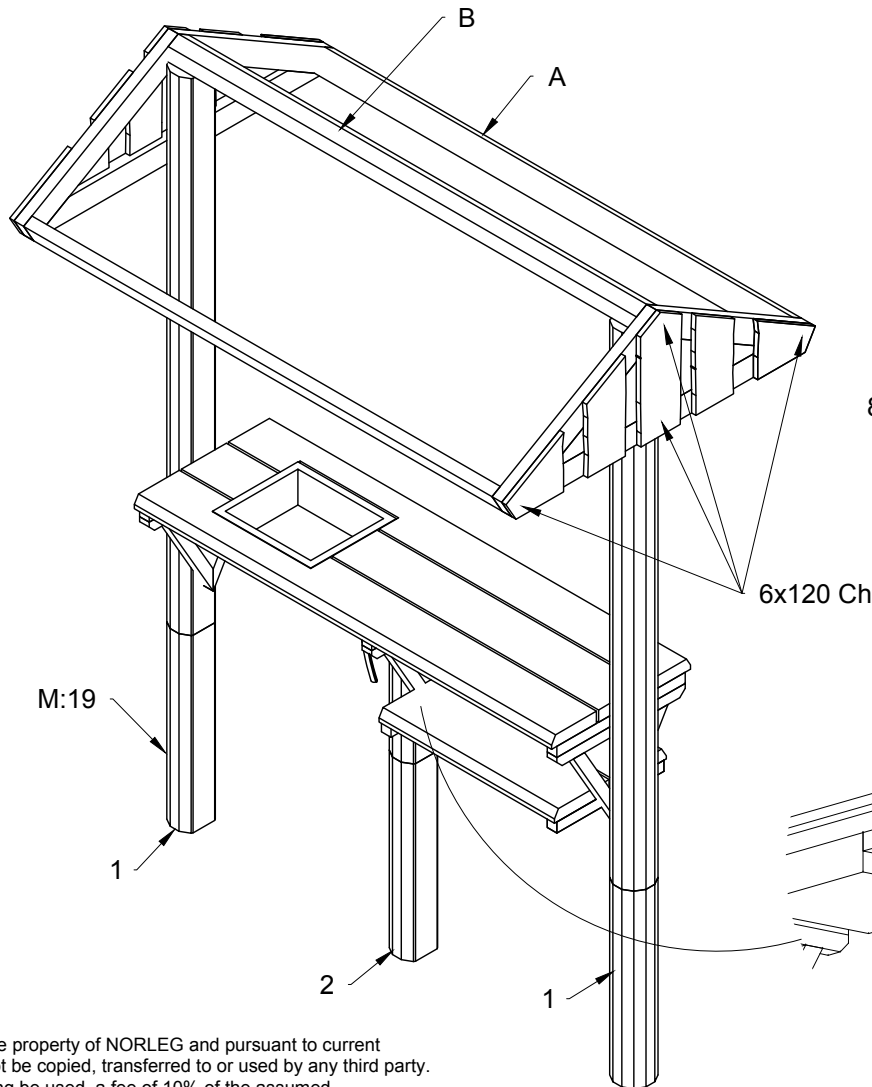


- Mont.

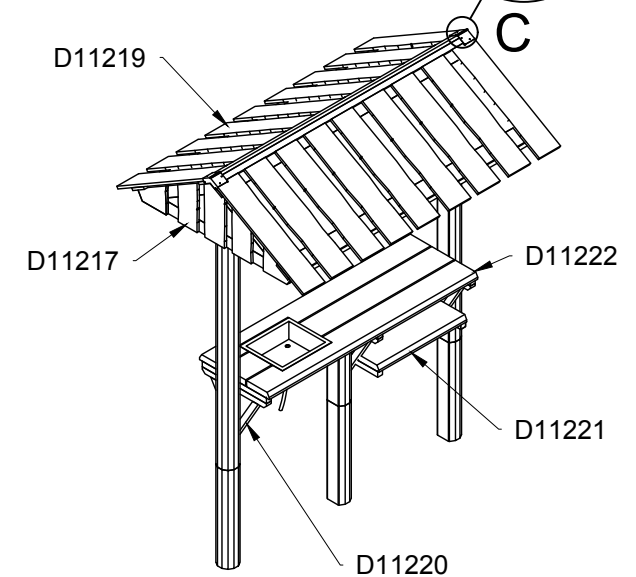
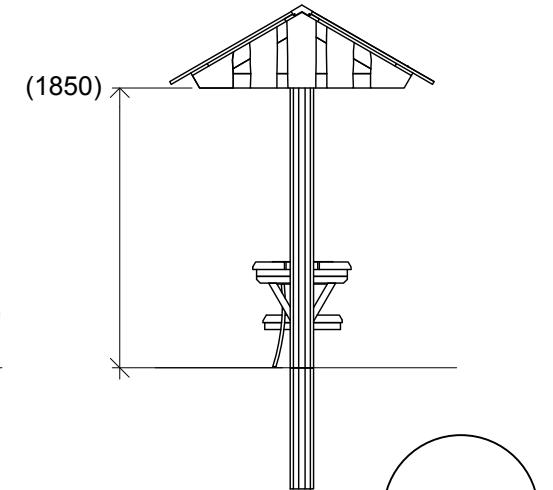
Mont.p. nr.

19

Part.
D11217
D11219
D11220
D11221
D11222



1:50



This drawing is the property of NORLEG and pursuant to current legislation may not be copied, transferred to or used by any third party. Should this drawing be used, a fee of 10% of the assumed contract price will be charged.