
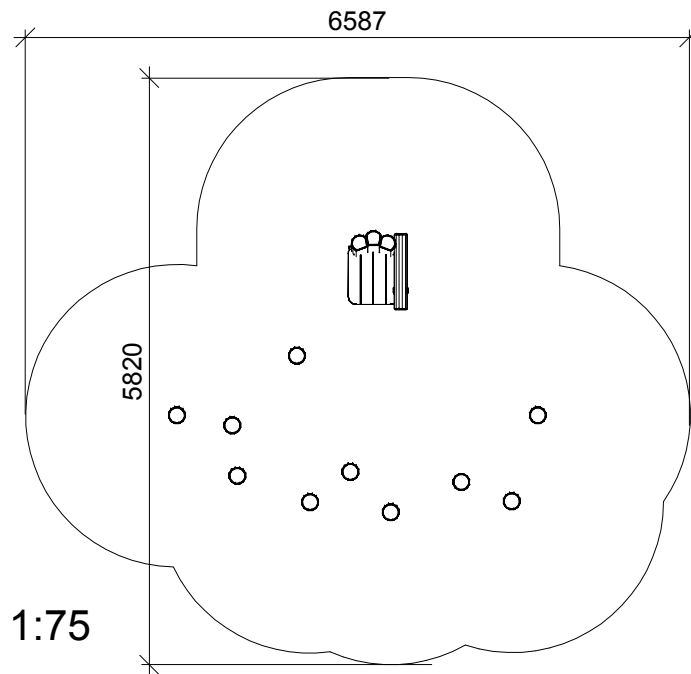
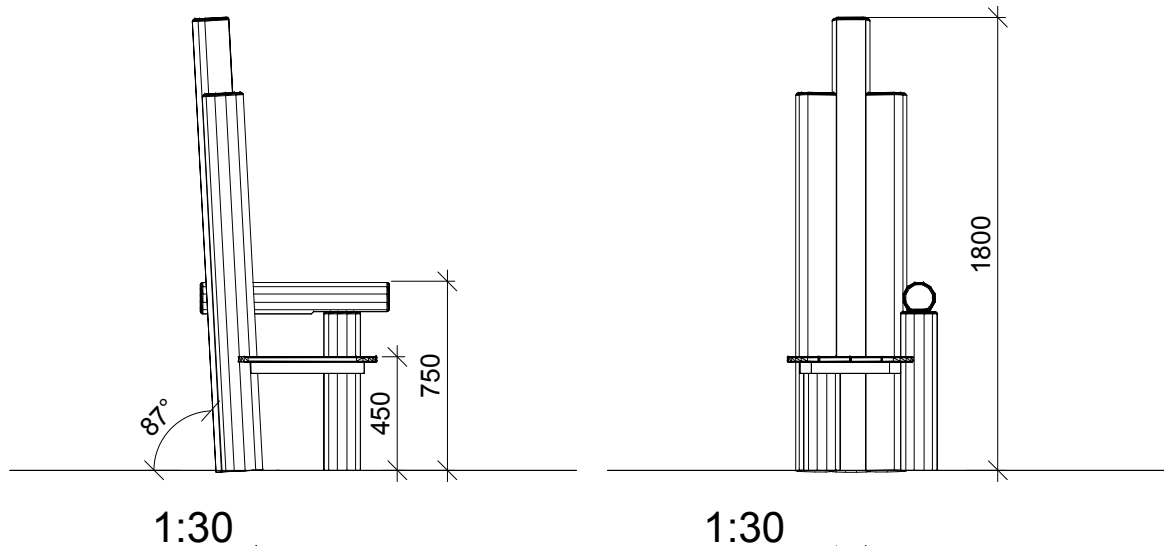
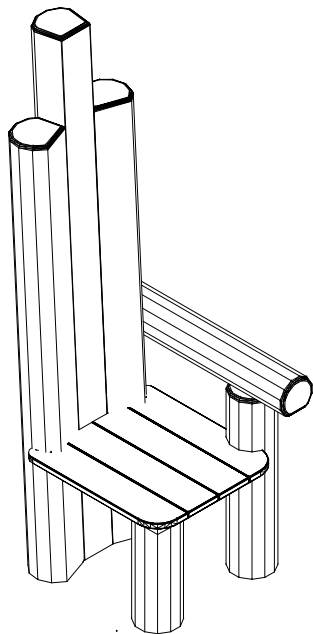


NORLEG	
Robinia Eventyrstol	
LE 20544	
10.08.2004	REV. 07.08.2015

< 750



≥ EN 1176



This drawing is the property of NORLEG and pursuant to current legislation may not be copied, transferred to or used by any third party. Should this drawing be used, a fee of 10% of the assumed contract price will be charged.

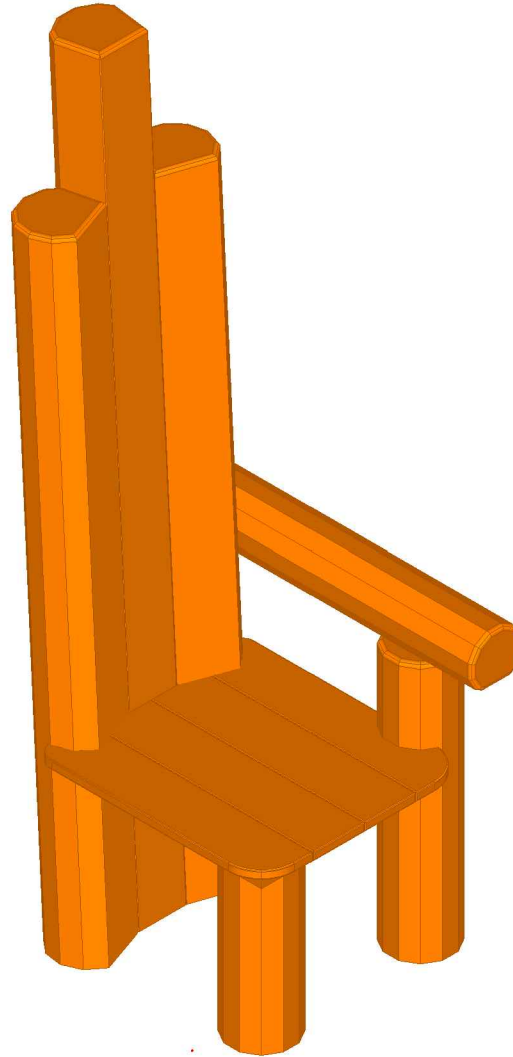
NORLEG - 3D

Robinia Eventyrstol

LE 20544


10.08.2004

REV. 07.08.2015



NORLEG - Mont.	
Robinia Eventyrstol	
LE 20544	
10.08.2004	REV. 07.08.2015

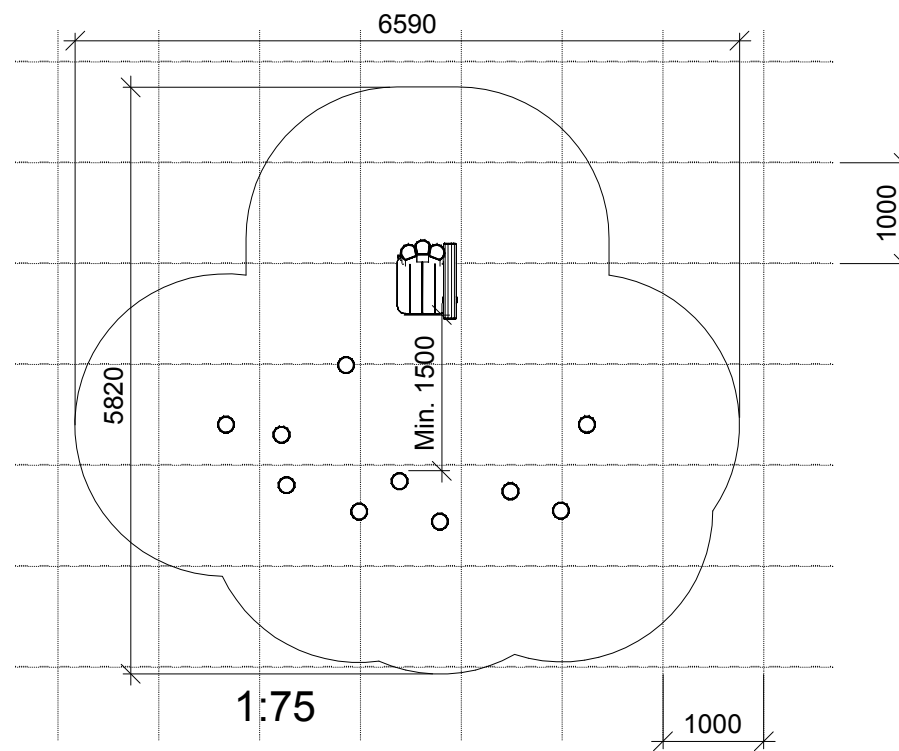
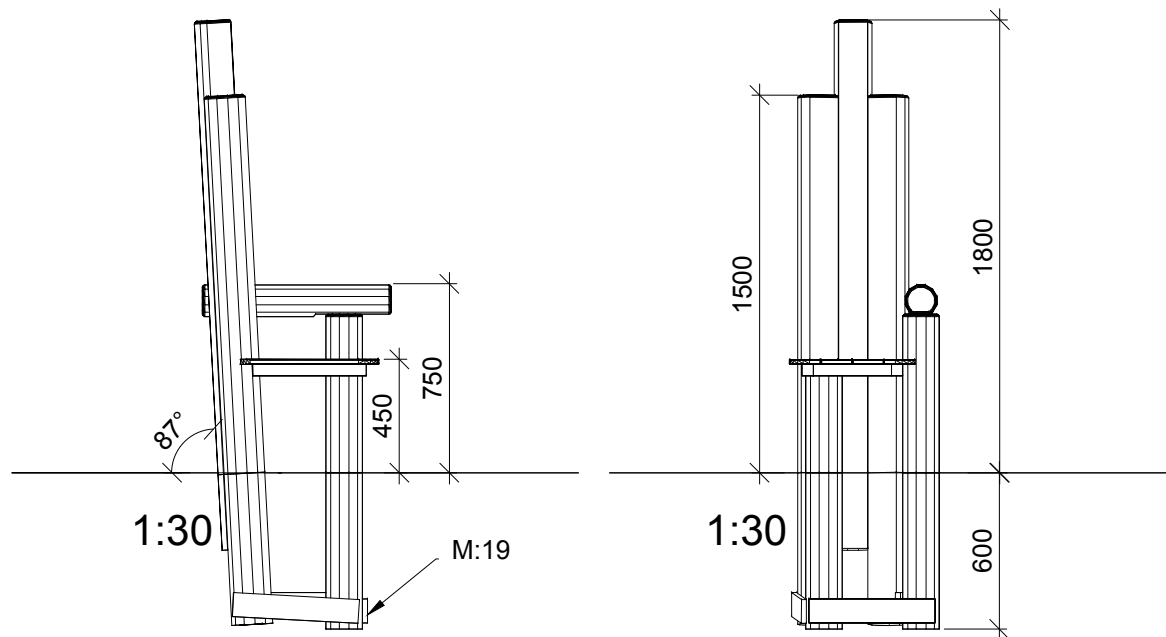
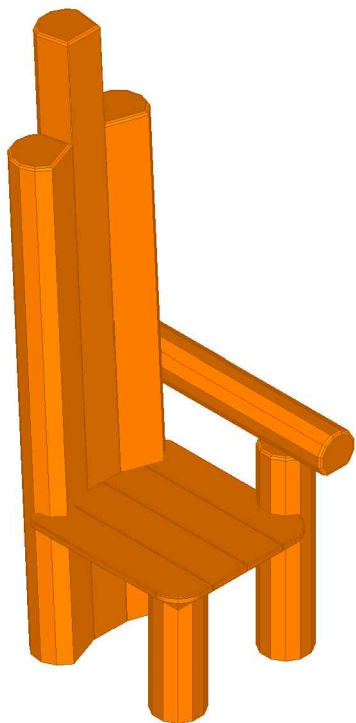
< 750



≥ EN 1176

Mont.p. nr.

19



This drawing is the property of NORLEG and pursuant to current legislation may not be copied, transferred to or used by any third party. Should this drawing be used, a fee of 10% of the assumed contract price will be charged.