

NORLEG

Legetårnet Gimle

LE20848

Dato 06-12-2018

REV. -A

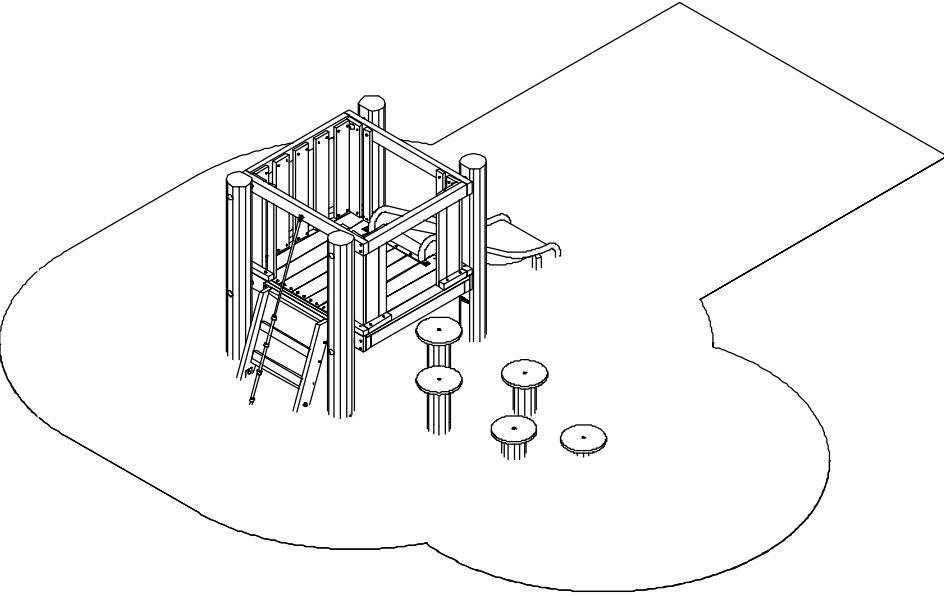
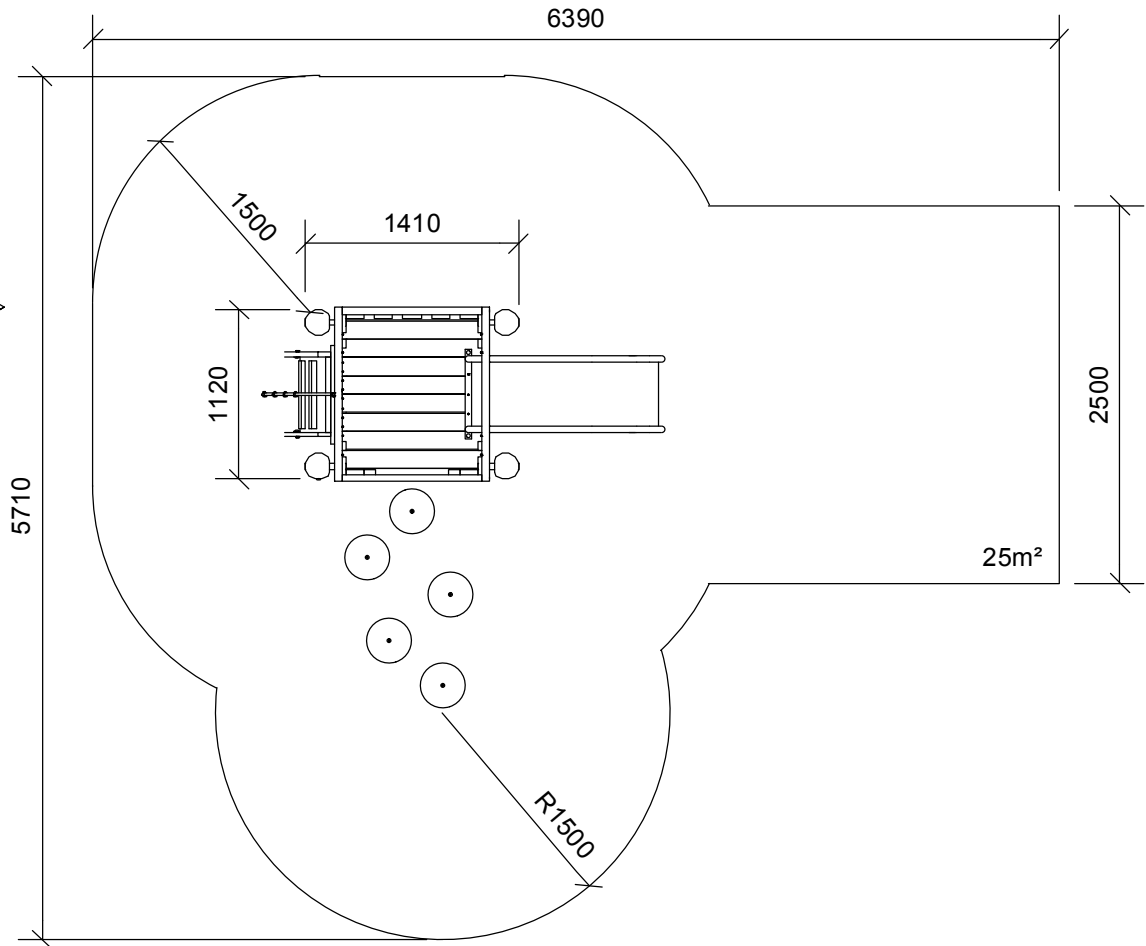
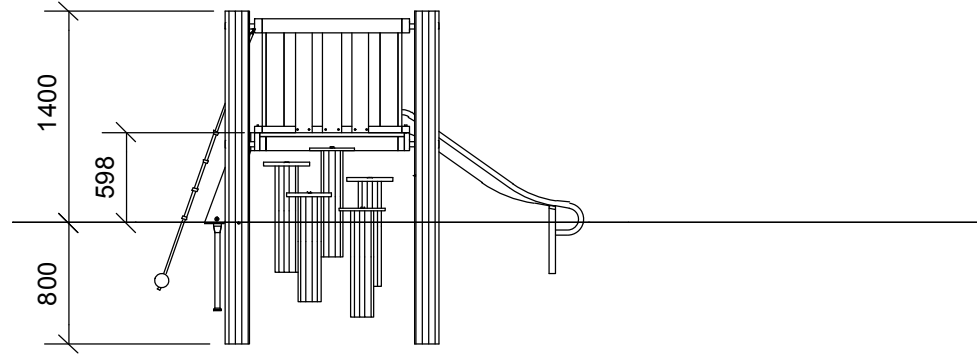
<600



≥ EN1176

(1 : 50)

Main Drawing



This drawing is the property of NORLEG and pursuant to current legislation may not be copied, transferred to or used by any third party. Should this drawing be used, a fee of 10% of the assumed contract price will be charged

NORLEG

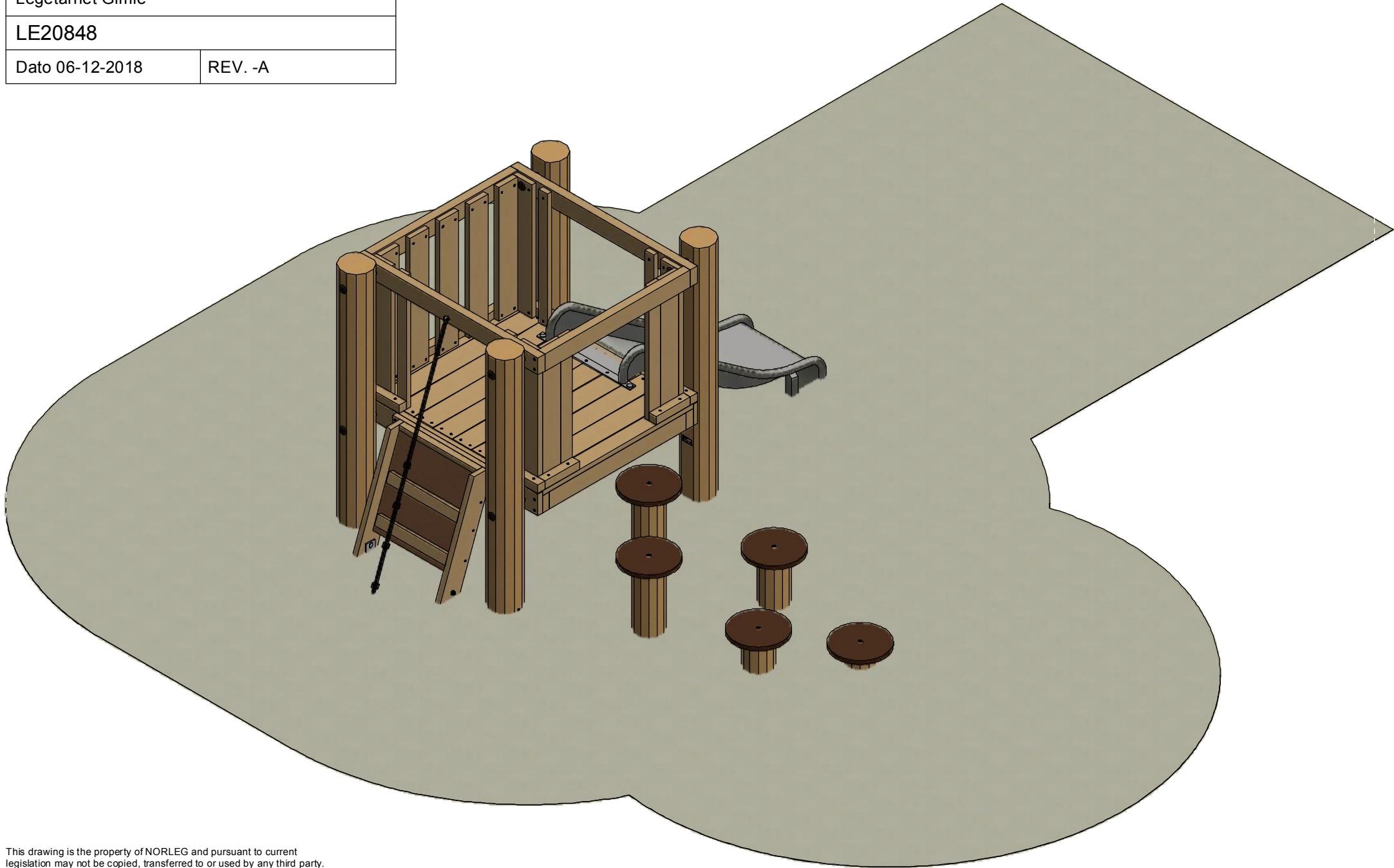
Legetårnet Gimle

LE20848

Dato 06-12-2018

REV. -A

3D



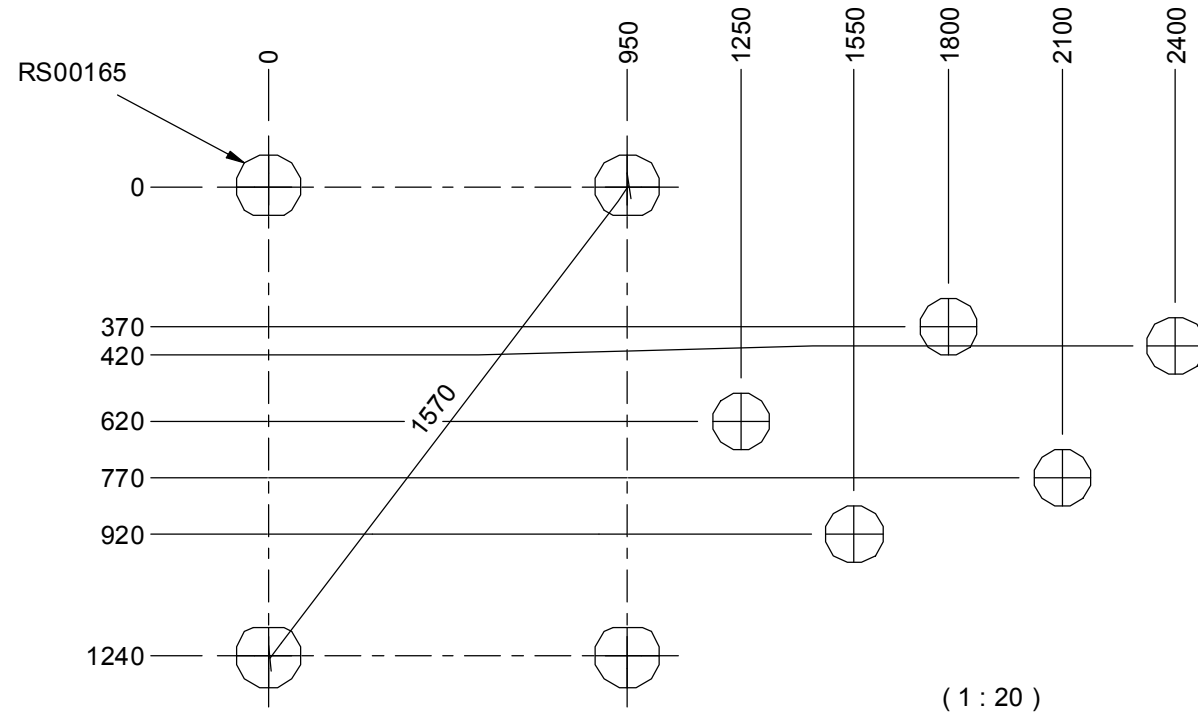
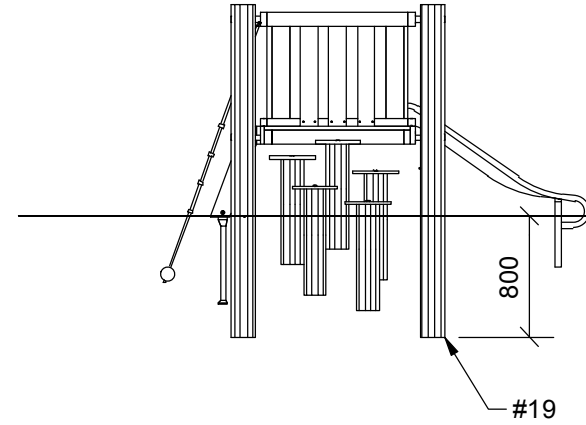
This drawing is the property of NORLEG and pursuant to current legislation may not be copied, transferred to or used by any third party. Should this drawing be used, a fee of 10% of the assumed contract price will be charged

NORLEG	
Legetårnet Gimle	
LE20848	
Dato 06-12-2018	REV. -A

= Inst.p. No.

19

Excavation



(1 : 20)

NORLEG

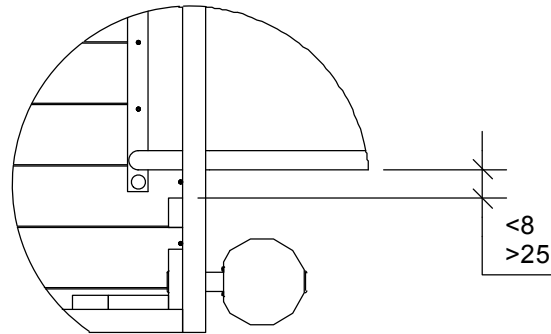
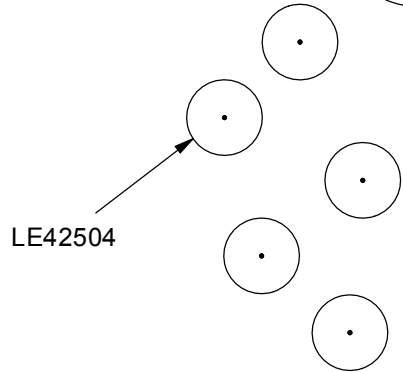
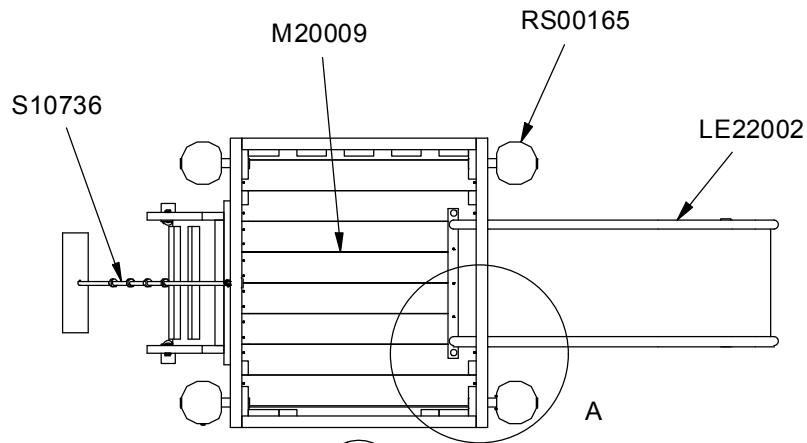
Legetårnet Gimle

LE20848

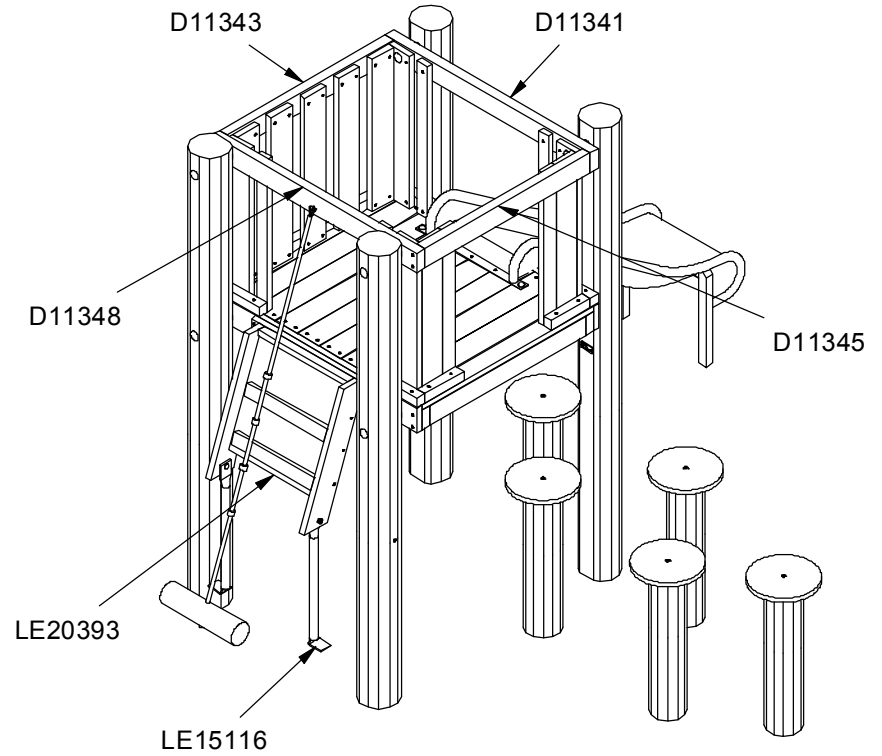
Dato 06-12-2018

REV. -A

Installation



A (1 : 15)



Parts List		
QTY	PART NO.	DESCRIPTION
2	LE15116	60 cm
1	LE20393	
1	LE22002	Slide, B:500, L:1100, D:1300
5	LE42504	$\phi 30$ cm
1	D11341	1150x750mm, 62cm
1	D11343	930x750mm
1	D11345	930x750mm, 49cm
1	D11348	1150x750mm, 62cm
1	M20009	1150x1020
4	RS00165	Robinia, 160-180-2200
1	S10736	Rope

This drawing is the property of NORLEG and pursuant to current legislation may not be copied, transferred to or used by any third party. Should this drawing be used, a fee of 10% of the assumed contract price will be charged

NORLEG

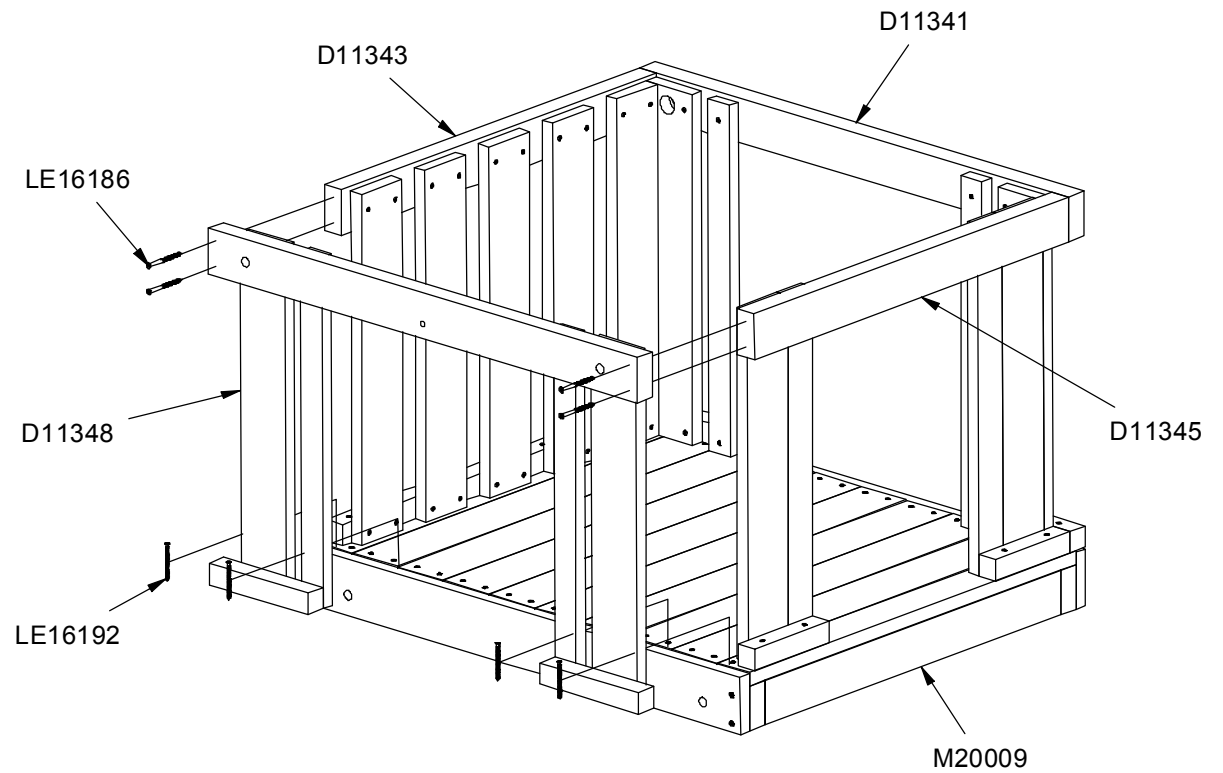
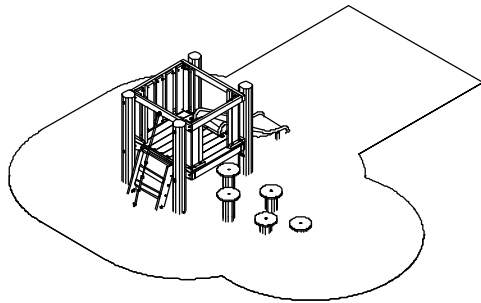
Legetårnet Gimle

LE20848

Dato 06-12-2018

REV. -A

Installation



Parts List

QTY	PART NO.	DESCRIPTION
1	D11341	1150x750mm
1	D11343	930x750mm
1	D11345	930x750mm
1	D11348	1150x750mm
8	LE16186	6x100mm
16	LE16192	5x80mm
1	M20009	1150x1020

This drawing is the property of NORLEG and pursuant to current legislation may not be copied, transferred to or used by any third party. Should this drawing be used, a fee of 10% of the assumed contract price will be charged

NORLEG

Legetårnet Gimle

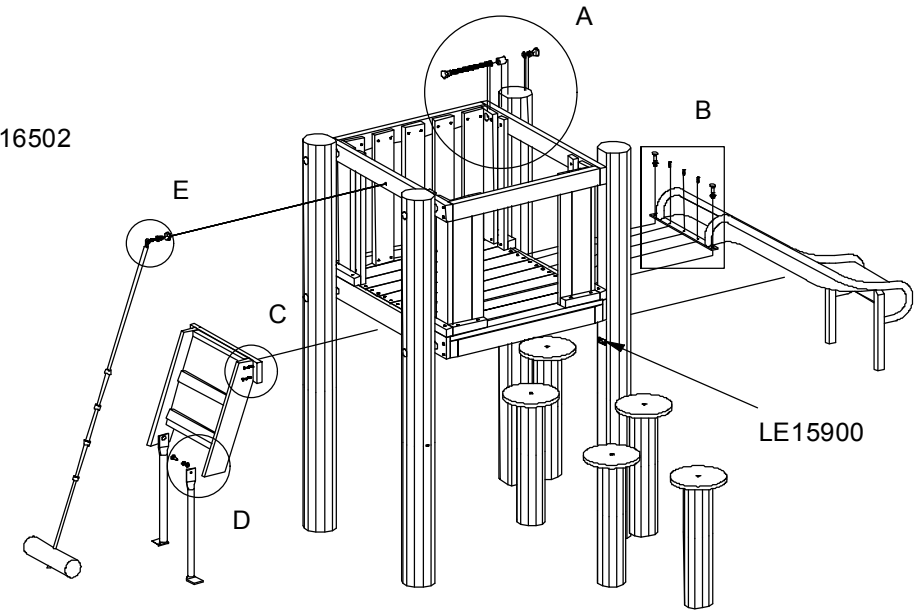
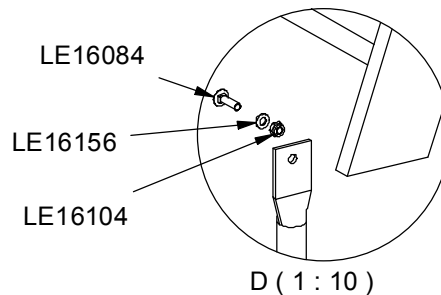
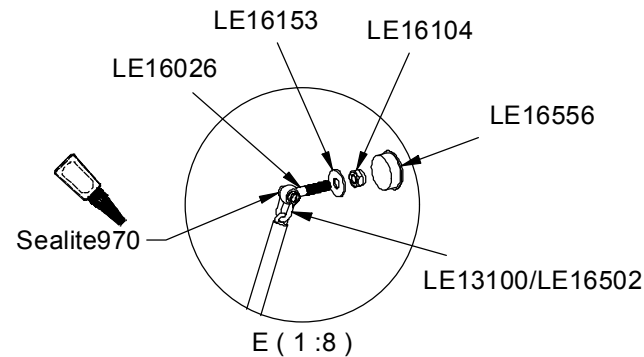
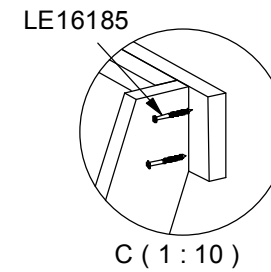
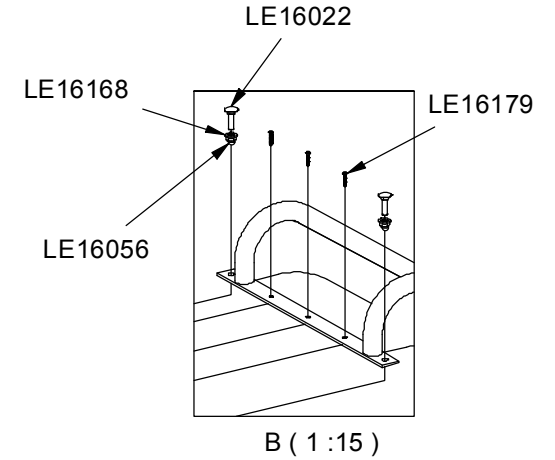
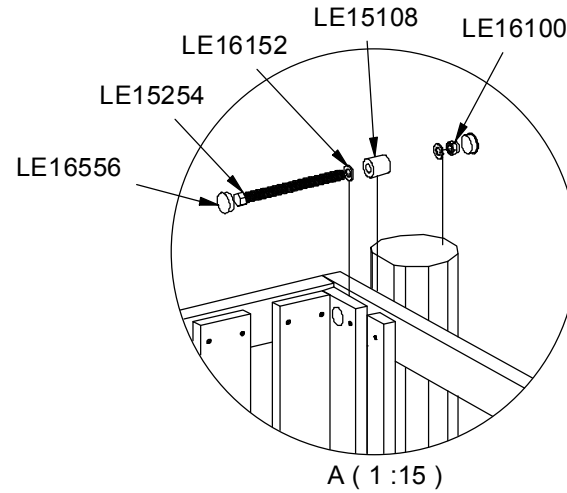
LE20848

Dato 06-12-2018

REV. -A

Installation

Parts List		
QTY	PART NO.	DESCRIPTION
1	LE13100	6mm/19mm
8	LE15108	Ø38x40 mm
8	LE15254	M16x250mm
1	LE15900	Nametag 28x60
2	LE15901	3x16
2	LE16022	12x40 mm
1	LE16026	10x40/60mm
2	LE16056	M12
2	LE16084	10x40mm
8	LE16100	M16
3	LE16104	M10
16	LE16152	Ø16mm
1	LE16153	M10 - Ø29
2	LE16156	M10 - Ø20
2	LE16168	M12 -Ø24mm
3	LE16179	5x30mm
4	LE16185	5x60mm
1	LE16320	Ø6x50mm
1	LE16502	Spacer 6mm
17	LE16556	Ø42mm
1	LE22002	Slide, B:500, L:1100, D:1300
1	LE16599	Sealite 970



This drawing is the property of NORLEG and pursuant to current legislation may not be copied, transferred to or used by any third party. Should this drawing be used, a fee of 10% of the assumed contract price will be charged