



Click or scan



Product description

The Balance Step offers both physical challenges and practical uses. Arrange them in a line as part of a balance track, group them into playful clusters, or use them individually. They are ideal for jumping, balancing, sitting, or as creative play surfaces.

Children can jump or balance between steps, improving motor skills, coordination, and balance. The large surface provides a stable platform, making it great for less confident children to practice.

The Balance Step can also serve as seating or a table, offering a place for rest or imaginative activities like building with sand.

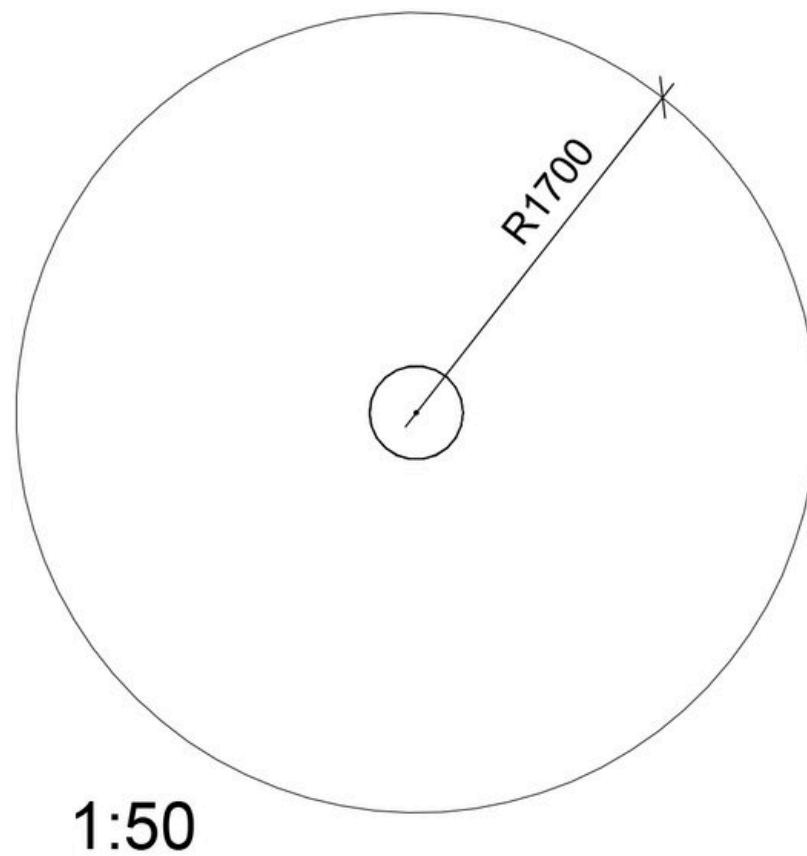
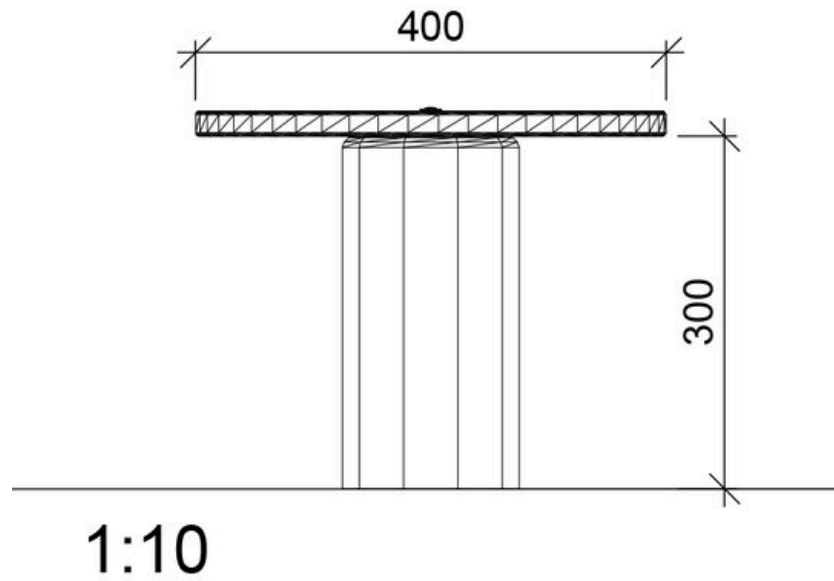


Age	3+
Number of users	1
Color	Uncolored
Primary materials	Robinia, Plywood
Anchoring	Robinia in ground
Fall height	0,6 m
Dimensions (LxWxH)	0,4 x 0,4 x 0,3 m
Impact area	
Minimum area	3,8 x 3,8 x 0,3 m

Variation	Color	Installation
LE42506	Chestnut	Robinia in ground

Warranty ([Terms and conditions](#))

Robinia	15 years
Plywood	5 years



Assembly time
1 hours



Anchoring
Robinia in ground



Largest part



Number of installers
1



Concrete



Heaviest part