
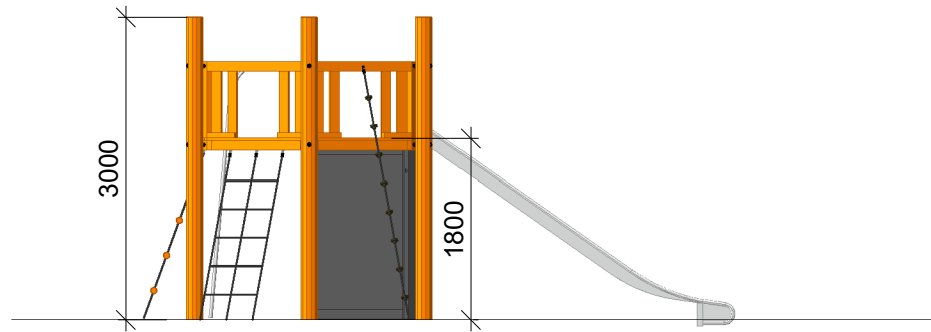


<b>NORLEG</b>	
Klatresystem 6 m. gulv og r-bane	
LE 20417	
16.12.2011	REV. 23.04.2019

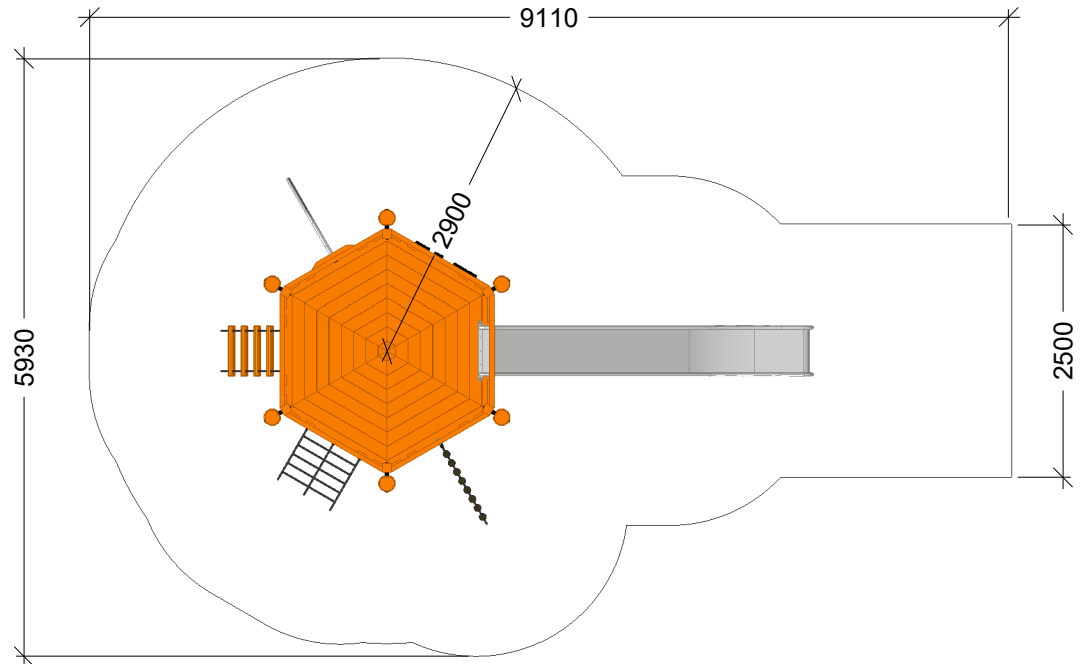
< 1800



≥ EN 1176



1:75



1:75

# NORLEG - 3D

Klatresystem 6 m. gulv og r-bane

LE 20417


16.12.2011

REV. 23.04.2019

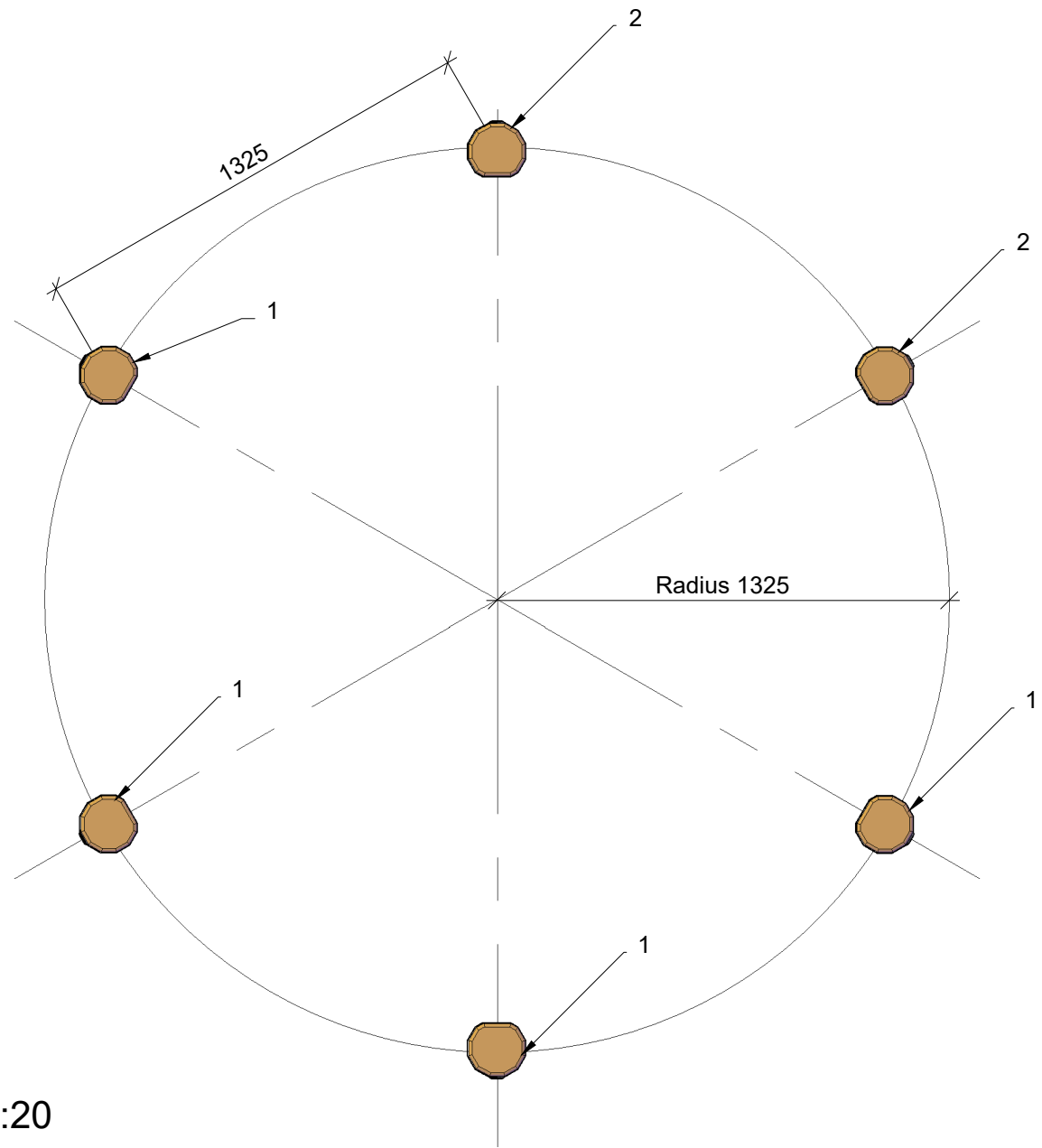


<b>NORLEG</b> - Mont.	
Klatresystem 6 m. gulv og r-bane	
LE 20417	
16.12.2011	REV. 23.04.2019

< 1800



≥ EN 1176



1:20

This drawing is the property of NORLEG and pursuant to current legislation may not be copied, transferred to or used by any third party. Should this drawing be used, a fee of 10% of the assumed contract price will be charged.

<b>NORLEG</b> - Mont.	
Klatresystem 6 m. gulv og r-bane	
LE 20417	
16.12.2011	REV. 23.04.2019

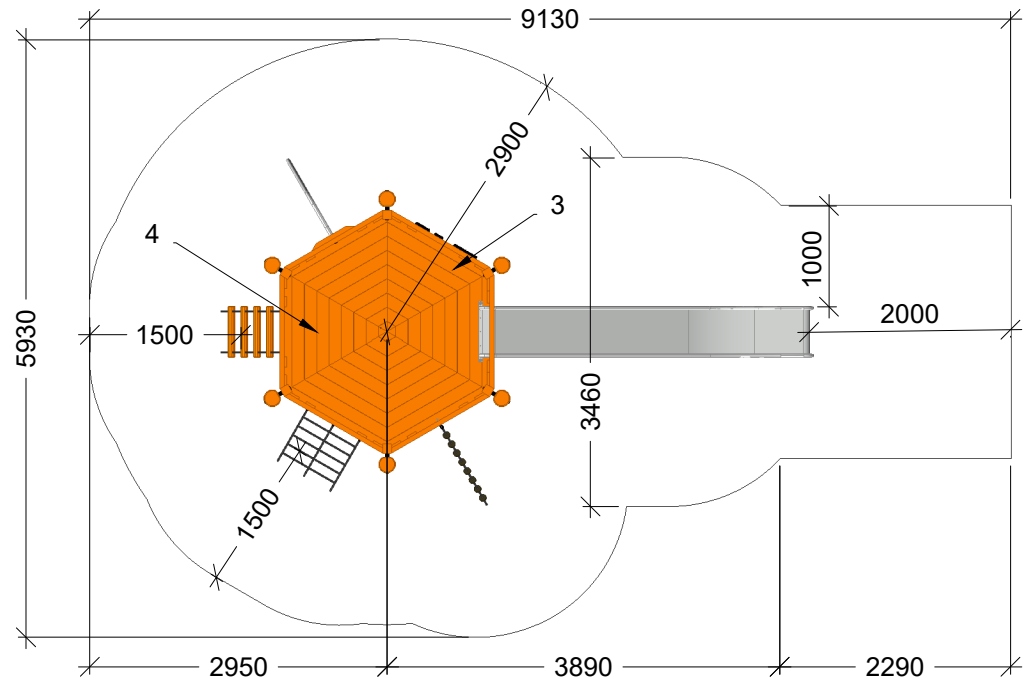
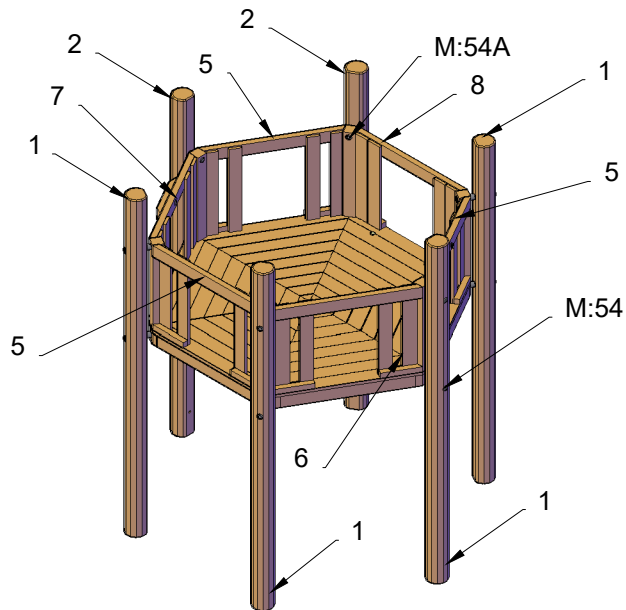
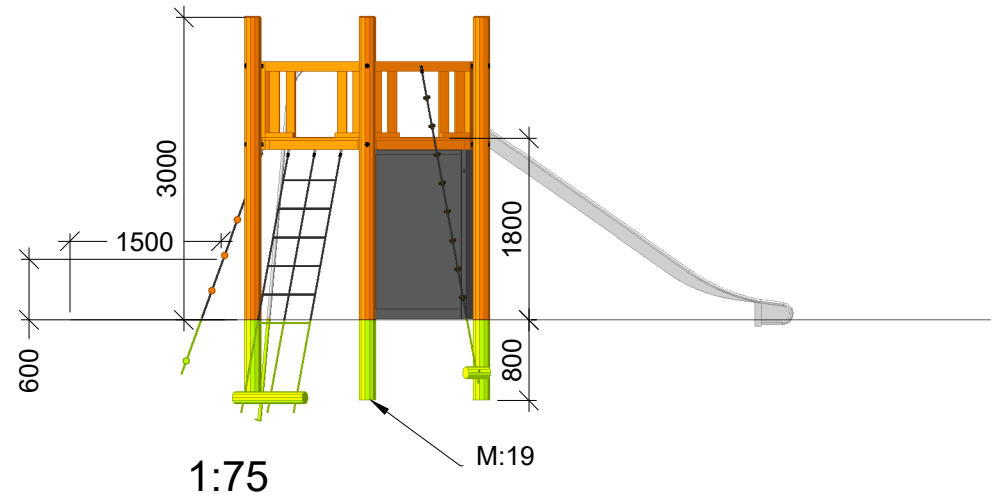
< 1800

≥ EN 1176

Mont.p. nr.

19  
54  
54A


Parts list		
Mrk.	QTY	Part.no
1	4	160-180-3800
2	2	160-180-3800
3	1	Floor 1
4	1	Floor 2
5	3	Railing
6	1	Railing
7	1	Railing
8	2	Railing



This drawing is the property of NORLEG and pursuant to current legislation may not be copied, transferred to or used by any third party. Should this drawing be used, a fee of 10% of the assumed contract price will be charged.

<b>NORLEG</b> - Mont.	
Klatresystem 6 m. gulv og r-bane	
LE 20417	
16.12.2011	REV. 23.04.2019

< 1800

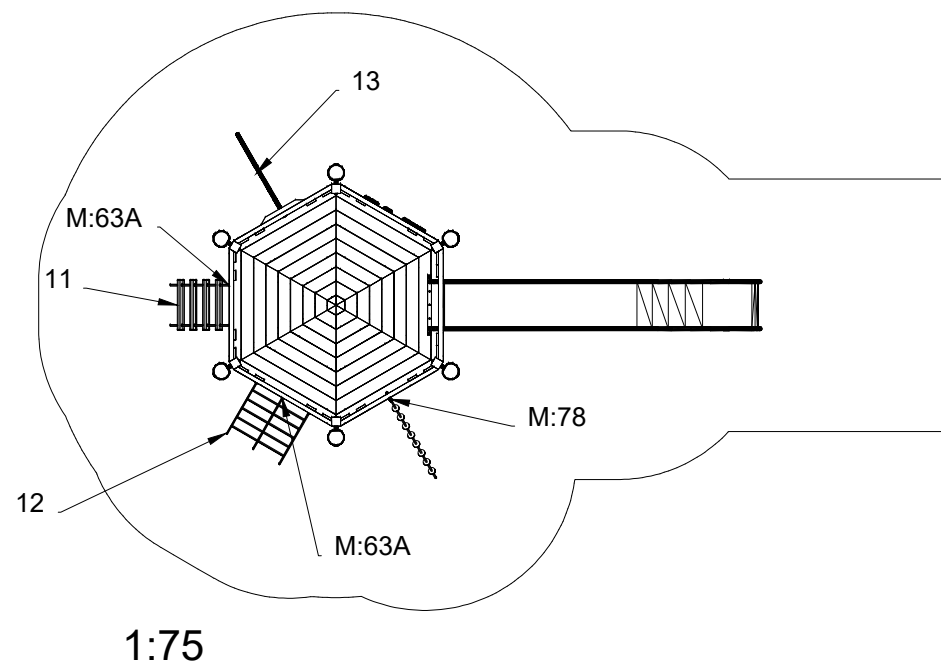
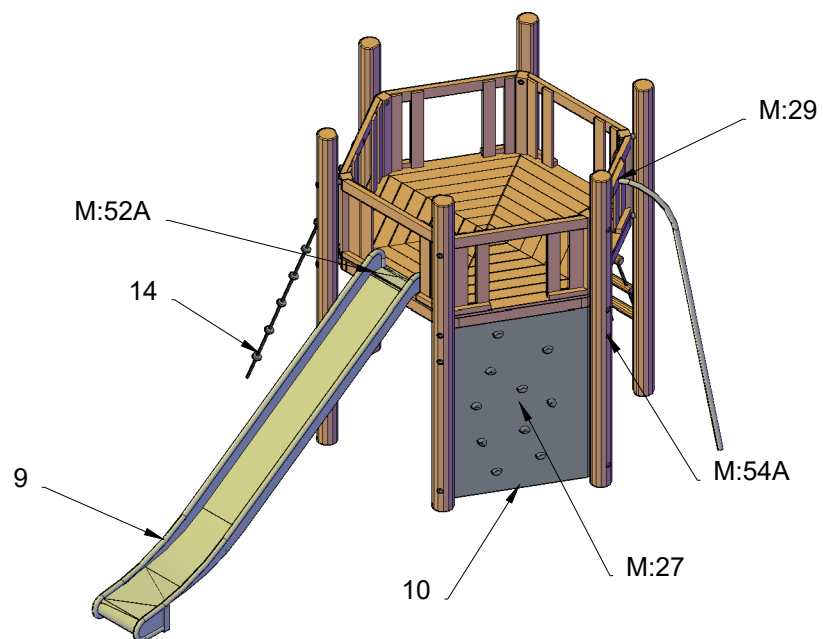
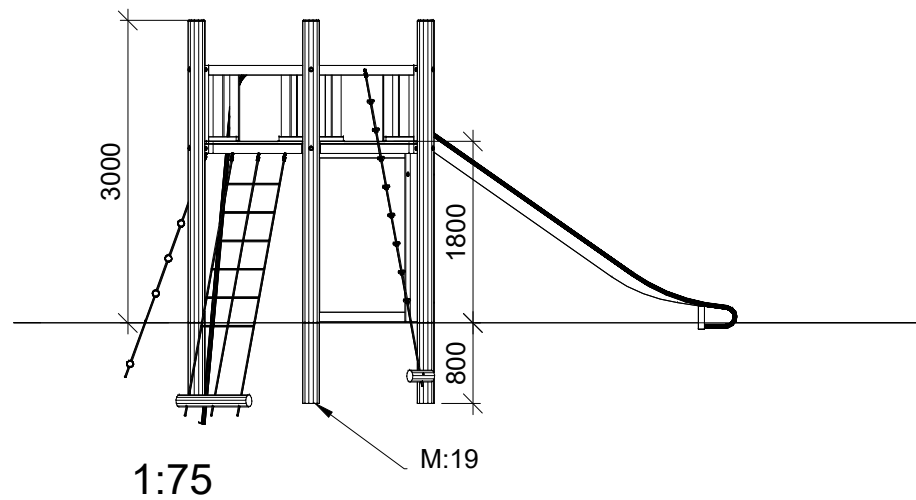


≥ EN 1176

Mont.p. nr.

- 19
- 27
- 29
- 52A
- 54A
- 63A
- 78

Parts list		
Mrk.	QTY	Part.no
9	1	LE 22008
10	1	LE 20360
11	1	LE 20364
12	1	LE 20362
13	1	LE 20370
14	1	LE 20366



This drawing is the property of NORLEG and pursuant to current legislation may not be copied, transferred to or used by any third party. Should this drawing be used, a fee of 10% of the assumed contract price will be charged.