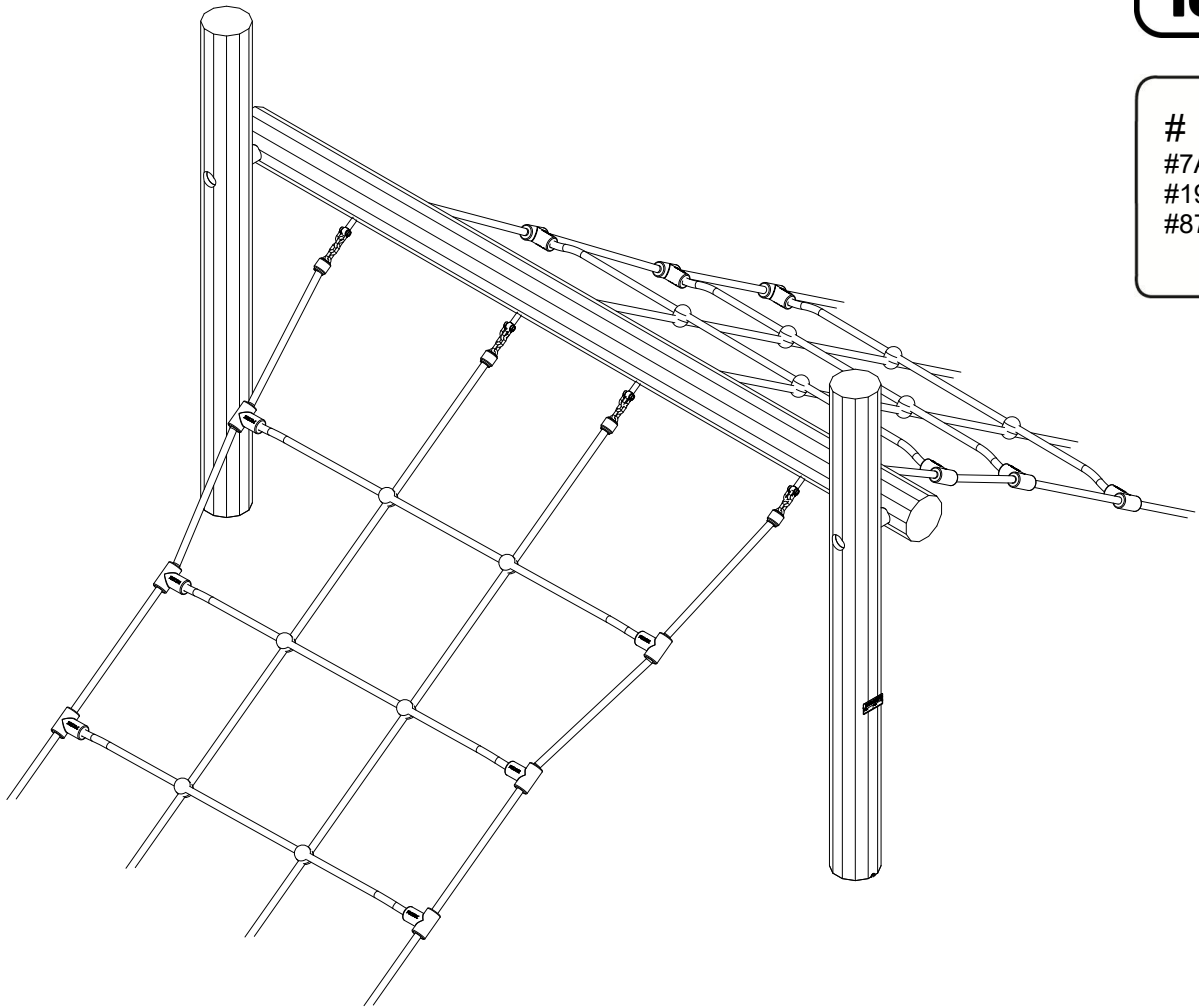
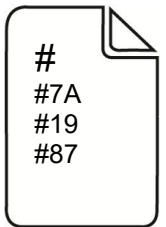
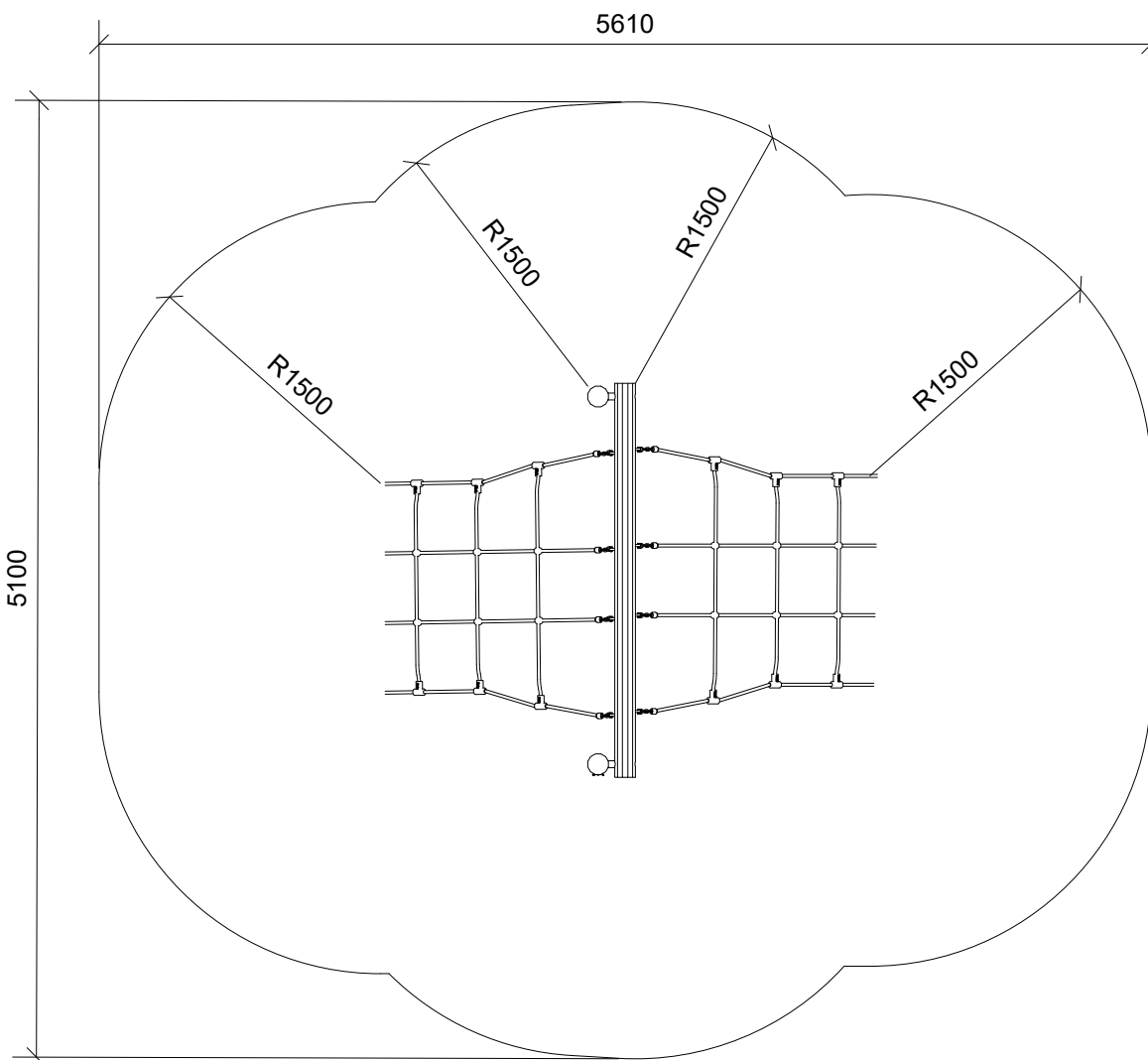
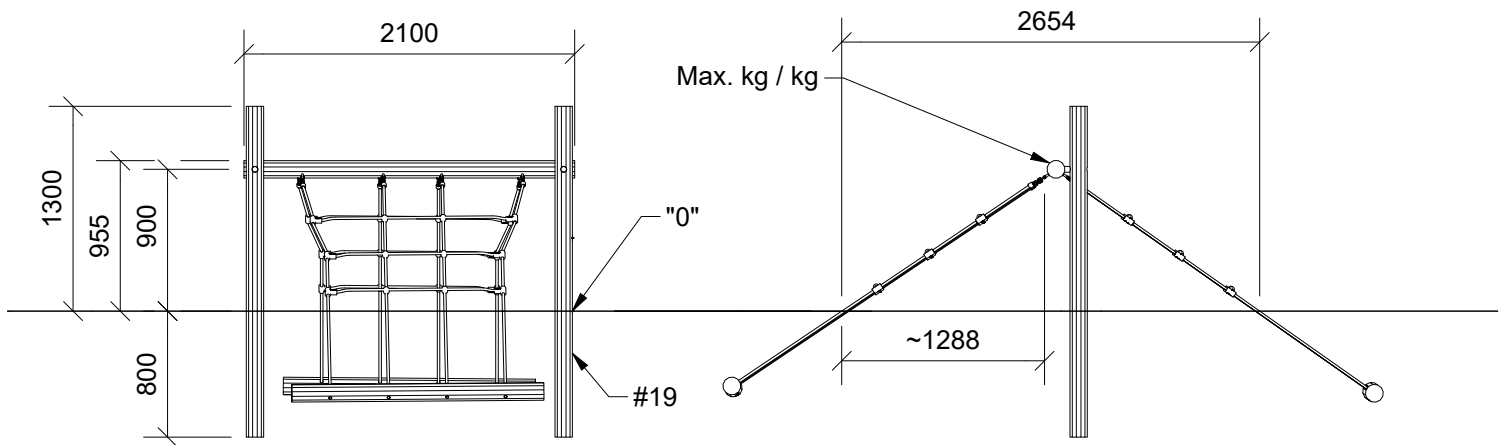


N3117U  
N3117

1/5



N3117U  
N3117



2



3h



22,9 m<sup>2</sup>



5,6 x 5,1 x 1,3 m



~91 kg



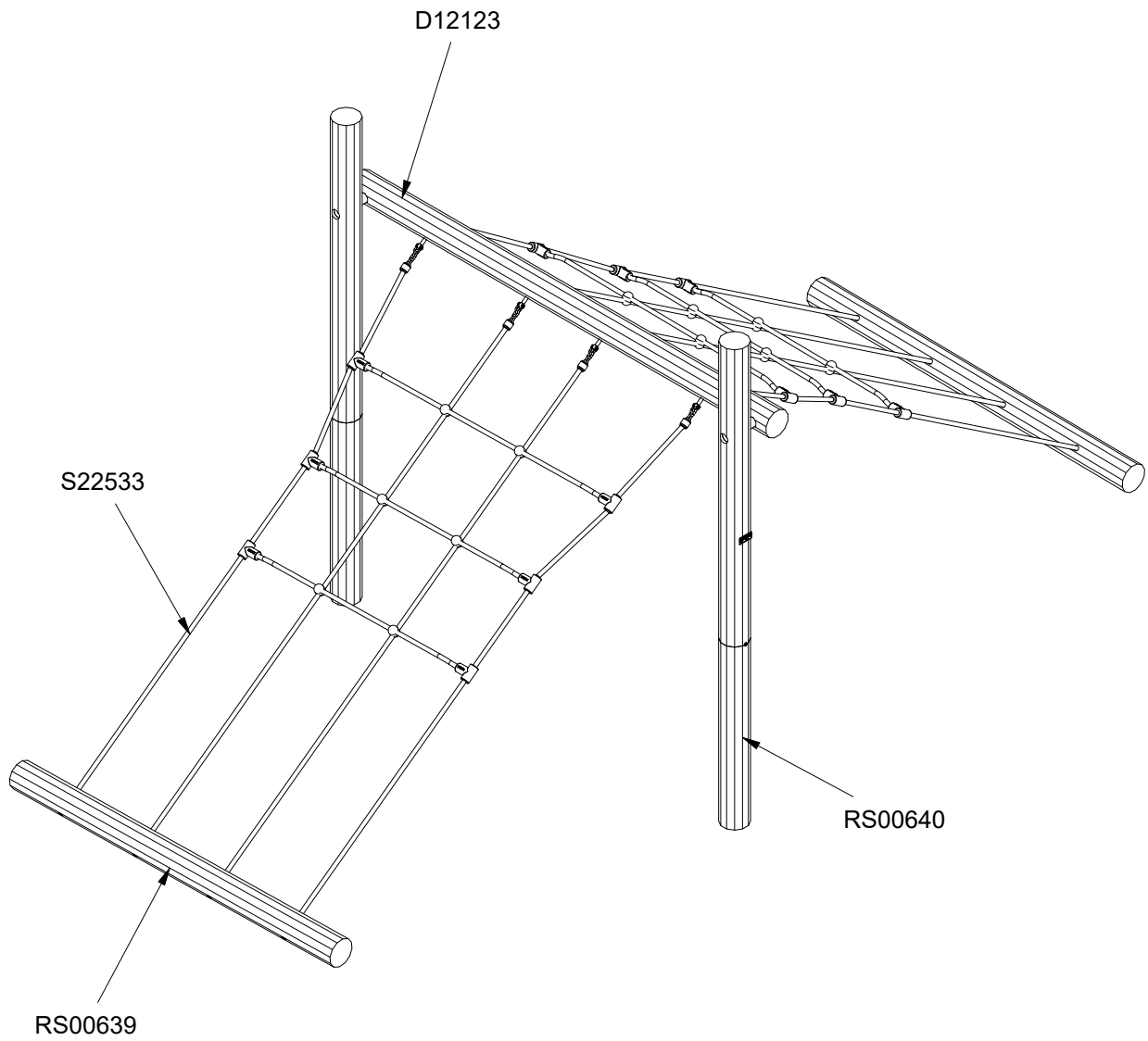
>C25



Ø10/12 x 210 cm

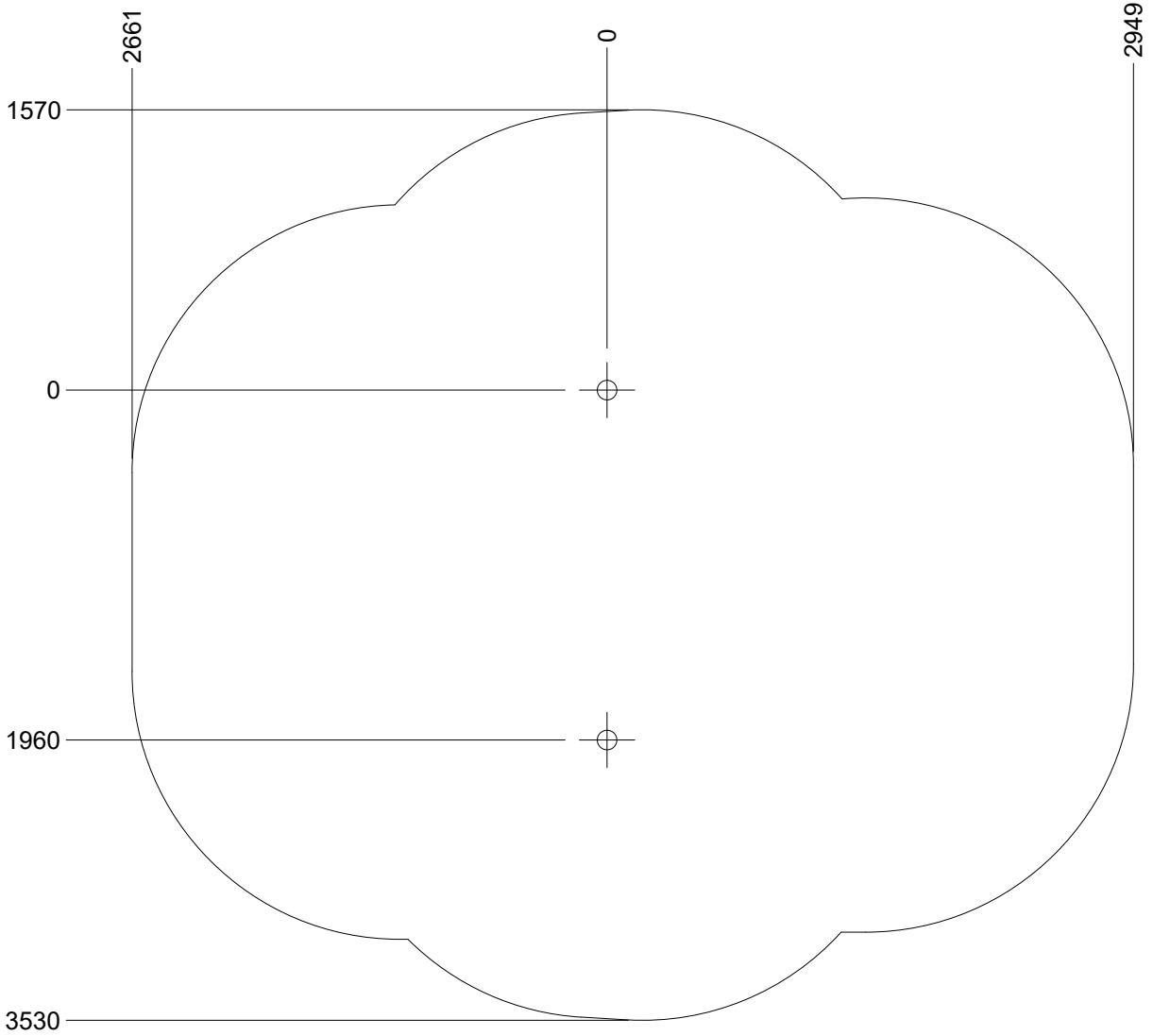
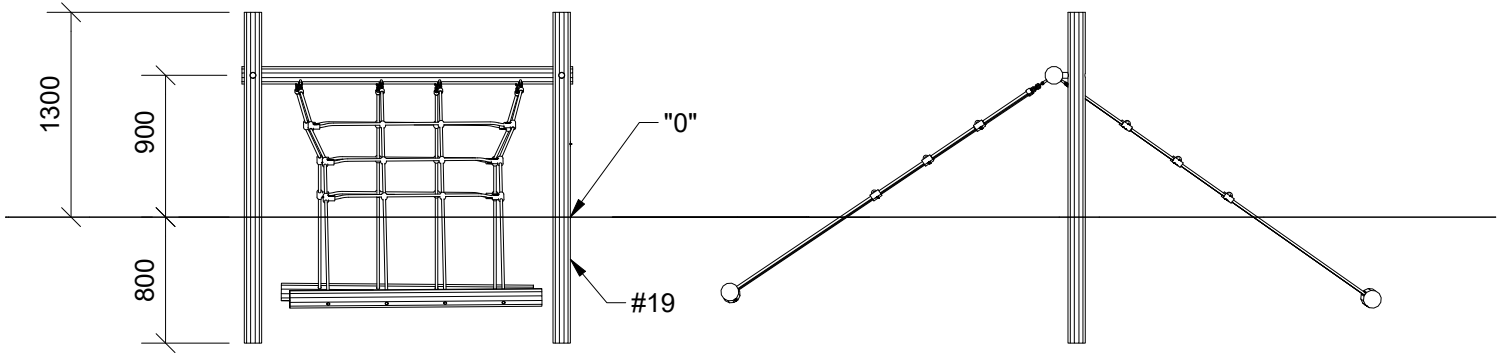


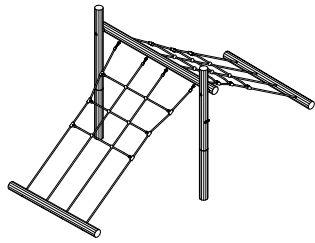
19,4 kg



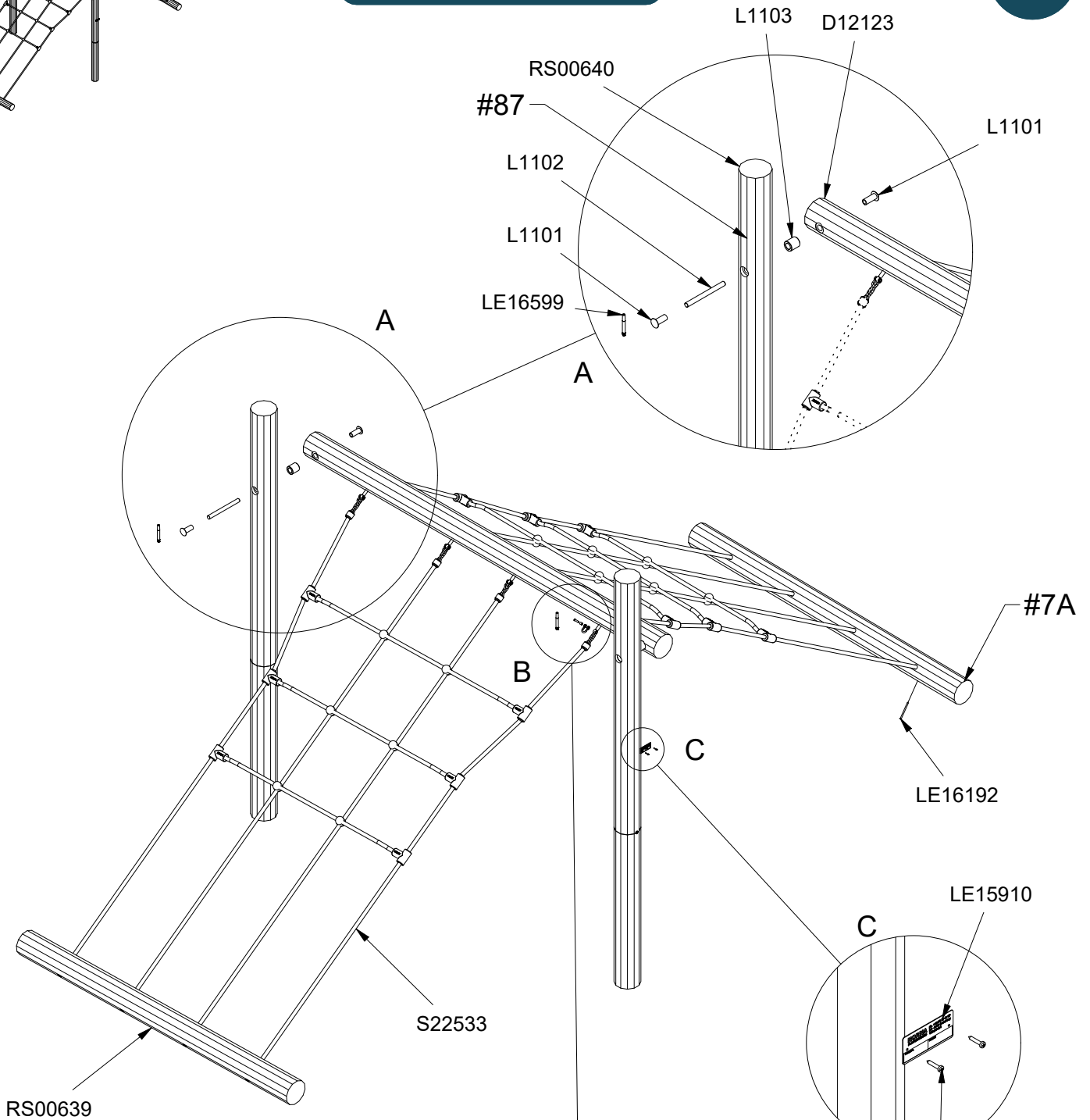
Parts List		
QTY	PART NO	DESCRIP.
1	D12123	Ø100-120mm, Assembled
2	RS00639	Ø100-120
2	RS00640	Ø100-120
2	S22533	Taifun

N3117U  
N3117





# N3117U N3117



Parts List		
QTY	PART NO	DESCRIP.
1	D12123	Ø100-120mm, Assembled
4	L1101	M16 sleeve nut
2	L1102	M16 Threaded rod
2	L1103	Ø37mm
8	LE13100	Shackle
2	LE15901	3x16, PH
1	LE15910	Name tag
8	LE16192	5x80mm
8	LE16502	Spacer 6mm
2	LE16599	Sealtite 970 1,5ml
2	RS00639	Ø100-120
2	RS00640	Ø100-120
2	S22533	Taifun

