



INFORMATION

Number of users	5
Age range	3 - 14
Device dimensions [m]	1.82 x 2.59 x 2.74
Compliance with the norm	PN-EN 1176-1+A1:2024-03
Max height of fall [m]	1
Perimeter of safety zone [m]	21
Area [m ²]	18



Viewpoint



Slide

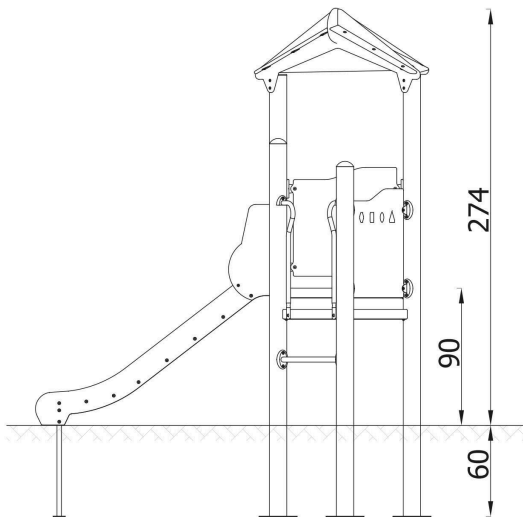
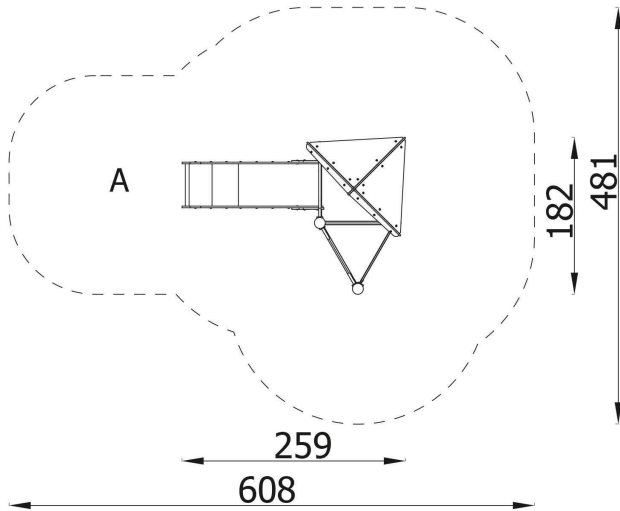


Entering



Fun





Material Description:

- Round load-bearing posts with a diameter of 114.3 mm made of S235 steel;
- Platforms made of anti-slip plywood with a thickness of 18 mm, mounted on a metal frame;
- Roof panels made of high-pressure HDPE polyethylene, 15 mm thick;
- Panels made of high-pressure HDPE polyethylene, 12 mm thick;
- Slides with a stainless steel glide, 1.5mm thick, and elements made of high-pressure HDPE polyethylene, 15mm thick. The glide structure is reinforced with U-profiles, and an additional seal was applied to dampen noise and reduce vibrations;
- Steel elements protected against corrosion through galvanization and powder coating;
- All connectors and fittings are weather-resistant and UV-resistant;
- Direct installation in the ground. Foundation according to the installation instructions;

Set Composition:

- 1 x square platform measuring 87x87 cm at a height of 90 cm
- 1 x triangular platform measuring 82x71 cm at a height of 76 cm
- 1 x slide 90 cm
- 1 x triangular roof
- 1 x step
- 1 x narrowing
- 1 x NOVUM panel
- 1 x openwork panel
- 1 x openwork figures panel

Series Description:

The Orbis collection offers comprehensive playground solutions for toddlers and older children. This is a traditional collection and one of NOVUM's first. The round posts give it a light and airy feel, and the wide range of available equipment ensures it meets the expectations of even the most demanding users.

SAFETY SURFACE

Zone	Max height of fall [m]	Area [m ²]	Perimeter of safety zone [m]
A	1	21	18
B	-	-	
C	-	-	

The visualizations are for illustrative purposes only; the actual appearance and colors of the equipment may vary. Novum reserves the right to make structural and color modifications as part of its commitment to continuous product improvement.

