



INFORMATION

| | |
|------------------------------|-------------------------|
| Number of users | 9 |
| Age range | 3 - 14 |
| Device dimensions [m] | 3.71 x 3.94 x 2.95 |
| Compliance with the norm | PN-EN 1176-1+A1:2024-03 |
| Max height of fall [m] | 1.2 |
| Perimeter of safety zone [m] | 31 |
| Area [m ²] | 22.5 |



Viewpoint



Slide



Entering

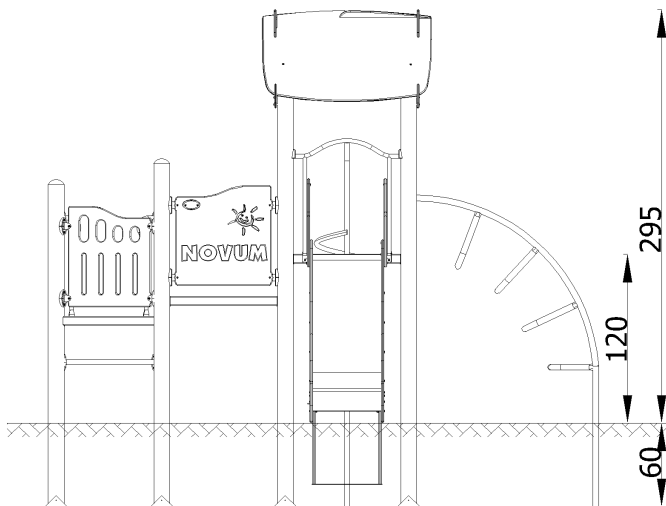
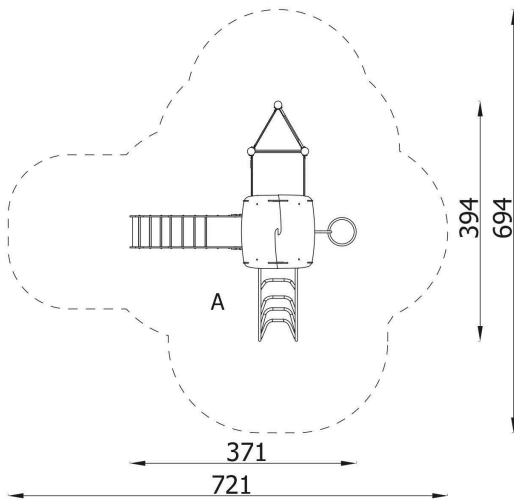


Climbing



Fun





Material Description:

- Round load-bearing posts with a diameter of 114.3 mm made of S235 steel;
- Platforms made of anti-slip plywood with a thickness of 18 mm, mounted on a metal frame;
- Roof panels made of high-pressure HDPE polyethylene, 15 mm thick;
- Panels made of high-pressure HDPE polyethylene, 12 mm thick;
- Slides with a stainless steel glide, 1.5mm thick, and elements made of high-pressure HDPE polyethylene, 15mm thick. The glide structure is reinforced with U-profiles, and an additional seal was applied to dampen noise and reduce vibrations;
- Steel elements protected against corrosion through galvanization and powder coating;
- All connectors and fittings are weather-resistant and UV-resistant;
- Direct installation in the ground. Foundation according to the installation instructions;

Set Composition:

- 1 x square platform measuring 87x87 cm at a height of 120 cm
- 1 x square platform measuring 87x87 cm at a height of 90 cm
- 1 x triangular platform measuring 82x71 cm at a height of 76 cm
- 1 x slide 120 cm
- 1 x gable roof
- 1 x arched entry 120 cm
- 1 x spiral entry 120 cm
- 1 x step
- 1 x narrowing
- 1 x NOVUM panel
- 1 x openwork panel
- 1 x openwork figures panel

Series Description:

The Orbis collection offers comprehensive playground solutions for toddlers and older children. This is a traditional collection and one of NOVUM's first. The round posts give it a light and airy feel, and the wide range of available equipment ensures it meets the expectations of even the most demanding users.

SAFETY SURFACE

| Zone | Max height of fall [m] | Area [m ²] | Perimeter of safety zone [m] |
|------|------------------------|------------------------|------------------------------|
| A | 1.2 | 31 | 22.5 |
| B | | | |
| C | | | |

The visualizations are for illustrative purposes only; the actual appearance and colors of the equipment may vary. Novum reserves the right to make structural and color modifications as part of its commitment to continuous product improvement.

