



NOVUM

1138EPON

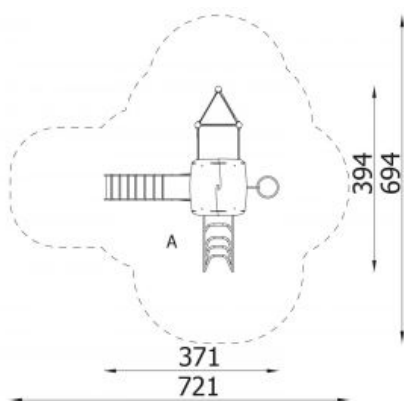


Description

1 tower with gable roof, 1 triangular platform, 1 square platform, 1 deep slide, 1 spiral ladder, 1 arc ladder, 3 safety HDPE boards with decorative cuts, 1 square landing, 1 entrance, 1 climbing bar, 1 metal bar over the slide, 7 metal fittings to be installed in the ground

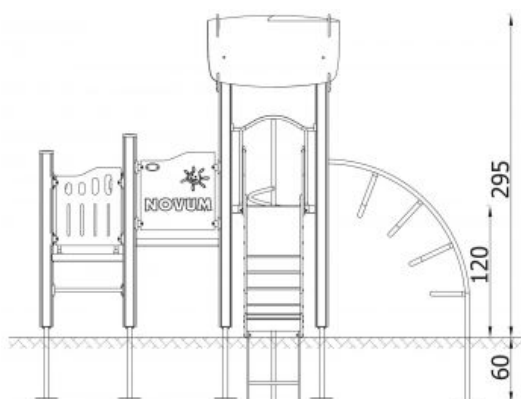
Model type	Modulair
Serial number	1138EPON
Equipment name	Tower 11 1138

Join the action!



Product line	Action Orbis Wood Modulair
Age range	3 - 14
Unit measurements	394cm x 371cm x 295cm
Required surface area	694cm x 721cm
Impact area	31m ²
Free height of fall	120cm

Material Bearing posts have a diameter of 12 cm and are made of glue-laminated, round, wood, fixed 10 cm above the ground level with metal anchors. Antislip platforms. Roofs, security elements and panels are made of HDPE (high durable polyethylene) boards with pattern cuttings. Sliding surface is made of acid-proof, stainless steel sheet. Ropes made of polypropylene with a steel core, thickness 16-18 mm, vandalism and UV resistant. All fittings and connectors are weather and UV resistant. Wood elements are oiled or covered with a colour glaze. Steel elements are protected against corrosion by zinc layer and powder paint coating.



Heaviest part	90kg
Largest part	80cm - 350cm
Spare parts	Available
Installation time without grondwork	9 hour(s) / 3 person(s)
Special tools	Included

Anchoring Poles are fixed in the ground at a depth of 60 cm on steel anchors. Concrete according to the assembly instructions.

Remarks This equipment is also available with hot dip galvanized posts. Prices on request.