



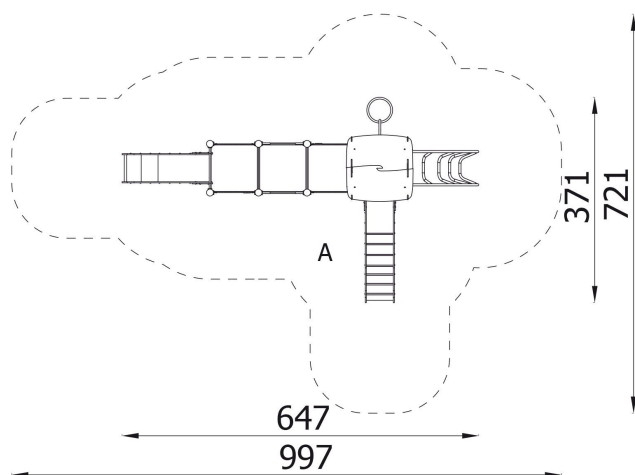
DESCRIPTION

Support posts made of glued laminated wood, oiled or covered with colored azure. Platforms with non-slip surface mounted on a metal frame. Colored panels made of flexible high pressure polyethylene (HDPE). HDPE slide with stainless steel slide. 16 mm polypropylene ropes reinforced with a steel core. All connectors and fittings resistant to weather conditions and UV radiation. Steel elements protected against corrosion by galvanizing and powder coating.

The device is located below ground level. Foundation in accordance with the assembly instructions.

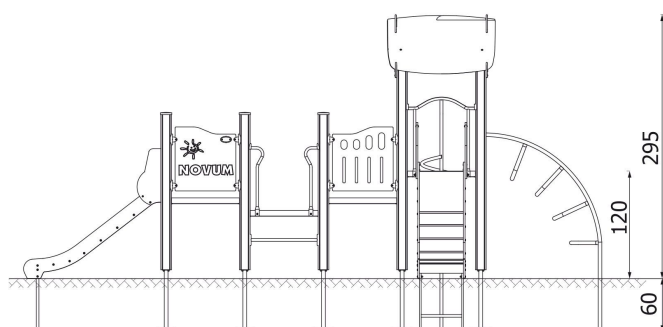
INFORMATION

Number of users	14
Age range	3 - 14
Device dimensions [m]	3.71 x 6.47 x 2.95
Compliance with the norm	EN 1176
Spare parts	Available



SAFETY SURFACE

Zone	Max height of fall [m]	Area [m ²]	Perimeter of safety zone [m]
A	1.2	41	28.5
B			
C			



Viewpoint



Slide



Entering



Climbing



Fun