

INFORMATION

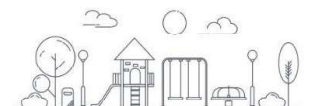
Number of users	1
Age range	1 - 12
Device dimensions [m]	0.97 x 0.3 x 0.82
Compliance with the norm	PN-EN 1176-1+A1:2024-03
Max height of fall [m]	0.6
Perimeter of safety zone [m]	9.5
Area [m ²]	11.5

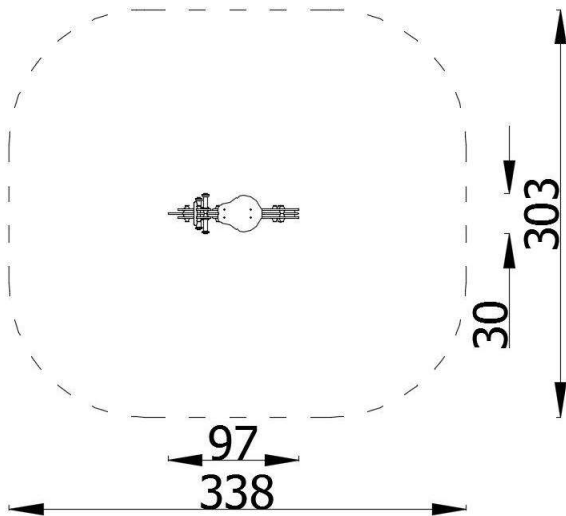


Rocking



Fun





Material Description:

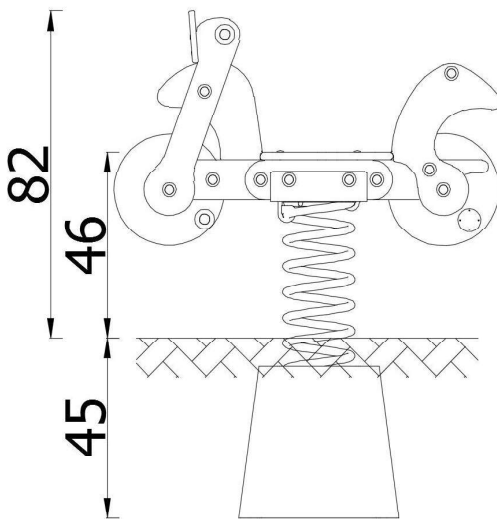
- Structure of the device made of S235 steel;
- Panels made of high-pressure HDPE polyethylene, 15 mm thick;
- Steel elements protected against corrosion through galvanization and powder coating;
- Handles made of polyamide PA6;
- Spring made of galvanized steel, powder-coated;
- Polyethylene insert in the spring to prevent pinching;
- All connectors and fittings are weather-resistant and UV-resistant;
- Riveted end caps for the posts;
- Direct installation in the ground;

Set Composition:

- 1 x single-seat spring rocker
- 1 x concrete anchor

Series Description:

Complementary equipment such as spring rockers, swings, slides, carousels, and sandpits are an essential part of every playground, making it even more attractive and functional. Each of these elements encourages physical activity and creative outdoor play while supporting children's motor and social development.



SAFETY SURFACE			
Zone	Max height of fall [m]	Area [m ²]	Perimeter of safety zone [m]
A	0.6	9.5	11.5
B			
C			

The visualizations are for illustrative purposes only; the actual appearance and colors of the equipment may vary. Novum reserves the right to make structural and color modifications as part of its commitment to continuous product improvement.

