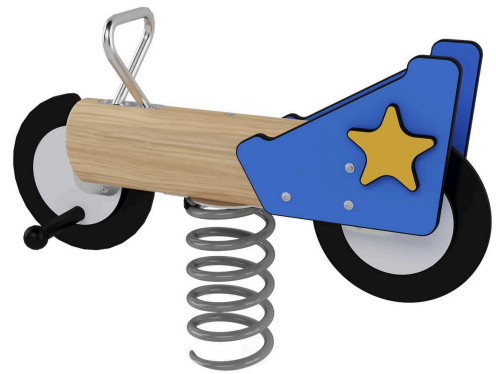




INFORMATION	
Number of users	1
Age range	1 - 12
Device dimensions [m]	1.02 x 0.42 x 0.69
Compliance with the norm	PN-EN 1176-1+A1:2024-03
Max height of fall [m]	0.51
Area [m ²]	9.4
Perimeter of safety zone [m]	11.14

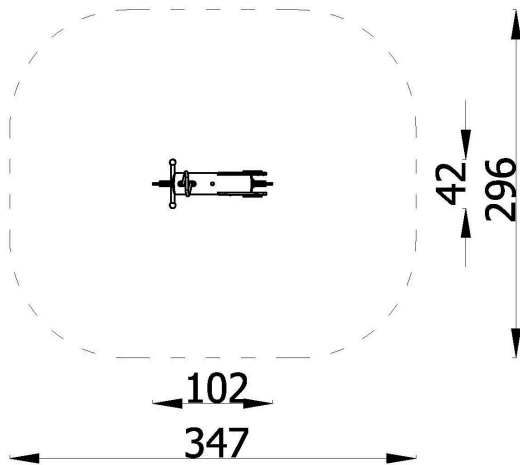


Rocking



Fun





Material Description:

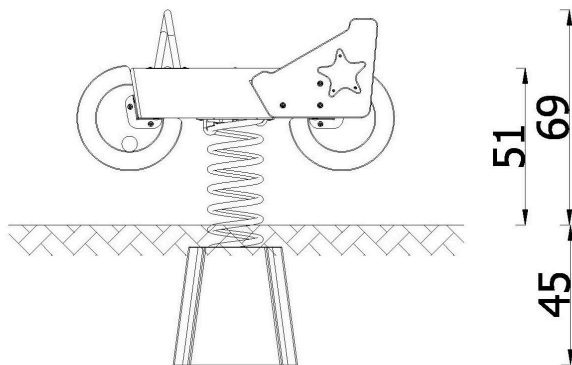
- Seat beam made of Robinia acacia wood;
- Panels made of high-pressure HDPE polyethylene, 15 mm thick;
- Additional elements made of stainless steel;
- Spring made of galvanized steel, powder-coated;
- Polyethylene insert in the spring to prevent pinching;
- All connectors and fittings are weather-resistant and UV-resistant;
- Riveted end caps for the posts;
- Direct installation in the ground. Foundation according to the installation instructions;

Set Composition:

- 1 x single-seat spring rocker
- 1 x concrete anchor

Series Description:

The ROBINIO collection is an exclusive series of equipment designed for demanding users. Intriguing and challenging climbing entries, diverse climbing walls, and unconventional passages encourage action, strategic planning, and full engagement in overcoming obstacles. Massive steel structural posts combined with beautiful and durable acacia wood of unique appearance give the collection a prestigious character. The ROBINIO collection promotes physical activity and creative thinking. It is the perfect solution for places that aim to offer users more than standard play – an experience filled with challenges and adventures.



SAFETY SURFACE

Zone	Max height of fall [m]	Area [m ²]	Perimeter of safety zone [m]
A	0.51	9.4	11.14
B			
C			

The visualizations are for illustrative purposes only; the actual appearance and colors of the equipment may vary. Novum reserves the right to make structural and color modifications as part of its commitment to continuous product improvement.

