



**32020**



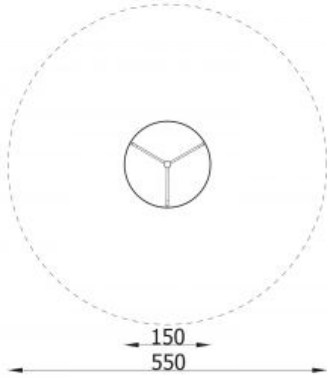
## **Description**

Disc Carousel 150

<b>Model type</b>	Solitair
<b>Serial number</b>	32020
<b>Equipment name</b>	Disc Carousel dia. 150

*Join the action!*

## Disc Carousel dia. 150



<b>Product line</b>	Action Carousels Solitair
<b>Age range</b>	3 - 14
<b>Unit measurements</b>	150cm x 150cm x 85cm
<b>Required surface area</b>	550cm x 550cm
<b>Impact area</b>	24m <sup>2</sup>
<b>Free height of fall</b>	40cm
<b>Material</b>	Stainless steel base, galvanized and powder coated steel elements
<b>Heaviest part</b>	390kg
<b>Largest part</b>	149cm - 79cm
<b>Spare parts</b>	Available
<b>Installation time without grondwork</b>	1 hour(s) / 2 person(s)
<b>Special tools</b>	Included
<b>Anchoring</b>	steel, galvanized anchors + concrete blocks. Depth of installing: 60 cm
<b>Remarks</b>	no

