



INFORMATION

Number of users	6
Age range	1 - 6
Device dimensions [m]	2.12 x 1.18 x 1.42
Compliance with the norm	PN-EN 1176-1+A1:2024-03
Max height of fall [m]	0.3
Area [m ²]	19.5
Perimeter of safety zone [m]	16.5



Hiding

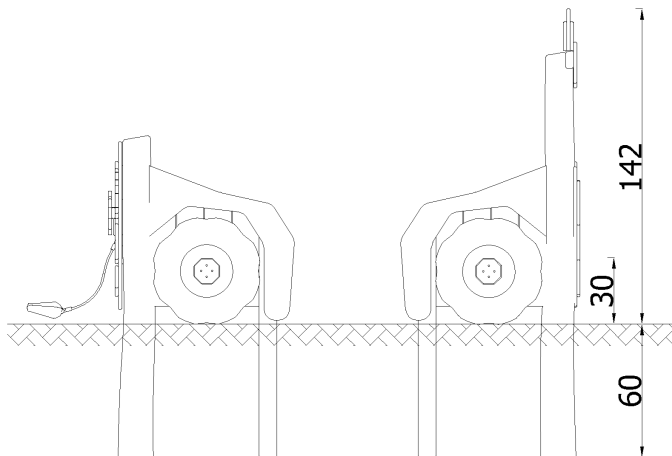
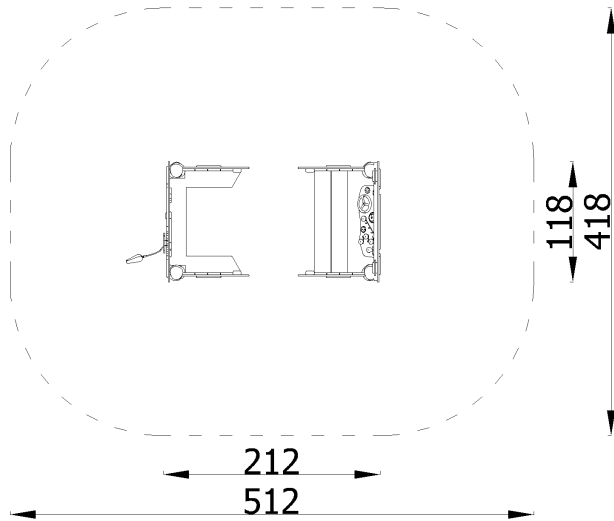


Interaction



Fun





Material Description:

- Round support posts with a diameter ranging from 120 mm to 160 mm made of robinia acacia wood;
- The structure of the device is made of robinia acacia wood planks;
- Panels made of high-pressure HDPE polyethylene, 15 mm thick;
- All connectors and fittings are weather-resistant and UV-resistant;
- Direct installation in the ground. Foundation according to the installation instructions;

Set Composition:

- 1 x steering wheel panel with interactive elements
- 1 x firefighter panel with interactive elements
- 2 x benches
- 4 x wheel panels
- 1 x fire truck front panel

Series Description:

Robinio Town - Discover the joy of creative play!

The new Robinio Town collection transports children to an extraordinary world of play, where they can take on various roles and develop their creativity and imagination. A new addition to this unique series is the impressive Robinio Town Hall

– the town's focal point, offering a multitude of attractions, slides, and spaces for shared play and interaction.

Robinio Town is the perfect place for learning through play – it develops social skills, fosters creativity, and teaches cooperation. Thanks to its aesthetic, wooden structures made of natural materials, every child can feel part of a magical world full of inspiration and unforgettable adventures.

SAFETY SURFACE

Zone	Max height of fall [m]]	Area [m ²]	Perimeter of safety zone [m]
A	0.3	19.5	16.5
B			
C			

The visualizations are for illustrative purposes only; the actual appearance and colors of the equipment may vary. Novum reserves the right to make structural and color modifications as part of its commitment to continuous product improvement.

