



Product name:
Ping Pong Table

Version:
Freestanding

Date create:
2010-04-29

Code:
3250

Destination:
Sport

Scale:

General principles

The device shall be mounted in accordance with the site layout plan or with the following principles:

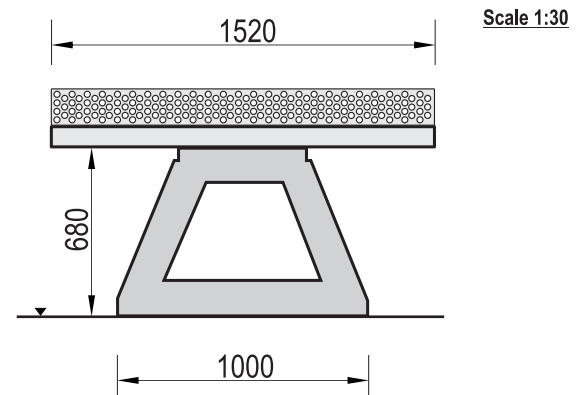
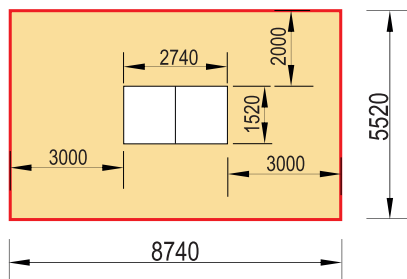
- Secure the assembly site to keep others at a distance
- Designate a precise location of the assembly having regard to appropriate safety zones of each devices.
- The device shall be mounted in consideration of an appropriate space of safety using of other, adjacent equipment, in accordance with the rules laid down in European Standard PN EN 1176.
- During the assembly works, follow the original assembly instruction of the particular equipment.
- The table shall be mounted on a level ground, immediately after delivery to the mounting location.
- The installation shall be performed by using appropriate tools and technical means.

Assembly method

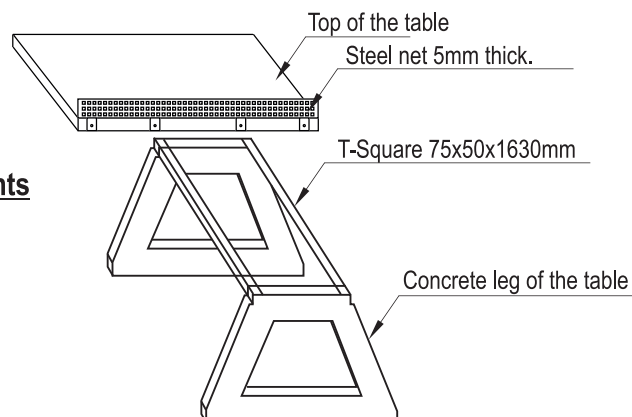
1. The assembly of the device shall start with planning of placing the table in area, having regard to adjacent items. For this purpose use a tape measure, having regard to playing area around the table.
2. Check the assembly method presented below:

Dimensions

Recommended free space



Components



3. Put the with T-squares 75x50x1630mm on the table legs and screw it by using M10 bolts.
4. Screw the steel net to the one side of the table top as shown on the above drawing. Use the M8x16 bolts with the conical heads which are hidden in the steel set.
5. Put the top on the prepared construction by using M10x25 bolts.
6. Level the ground around the table and remove the assembly tools.

Recommendations

- The assembly location shall be agreed with the owner or the administrator of the area.
- Ensure that the equipment does not present a risk to the health or safety of users and does not block access routes that may need to be used by emergency vehicles or commercial vehicles.

WARNING ! The equipment shall be used in accordance with its intended purpose