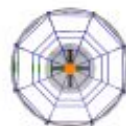


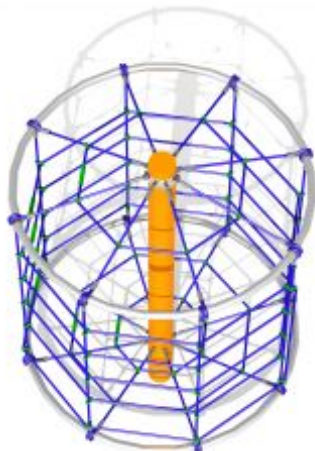
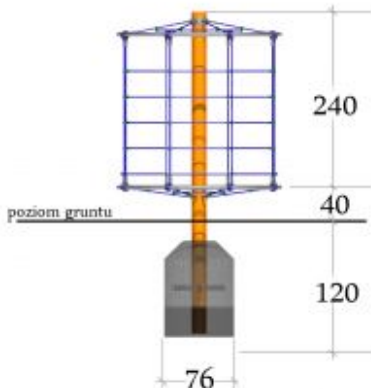
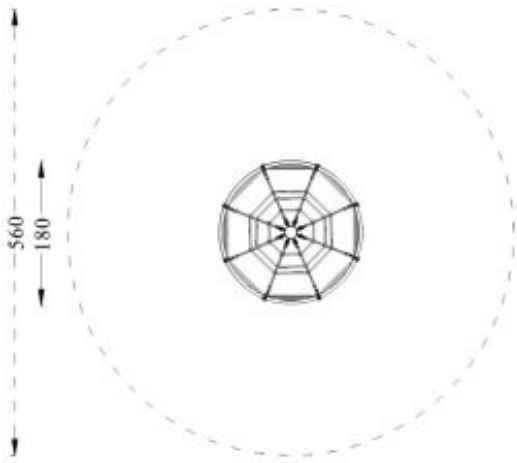
Description

Spatial net Roller MK-43040



Model type	Solitair
Serial number	43040
Equipment name	43040

Join the action!



Product line	Action Multi Climbers Solitair
Age range	3 - 12
Unit measurements	180cm x 180cm x 240cm
Required surface area	560cm x 560cm
Impact area	25m ²
Free height of fall	230cm
Material	Steel parts: Galvanized and powder coated. Stainless steel AISI 304 for all fastening materials (bolts etc.) and ring. Ropes: 16 mm Poly-ferro long life rope, 6 threads! UV-resistant rope connectors.
Heaviest part	10kg
Largest part	15cm - 355cm
Spare parts	Available
Installation time without grondwork	10 hour(s) / 2 person(s)
Special tools	Included
Anchoring	Post are directly 120 cm longer and will be installed 120 cm under ground level. Concrete used for more stability.
Remarks	no