

# 552.50

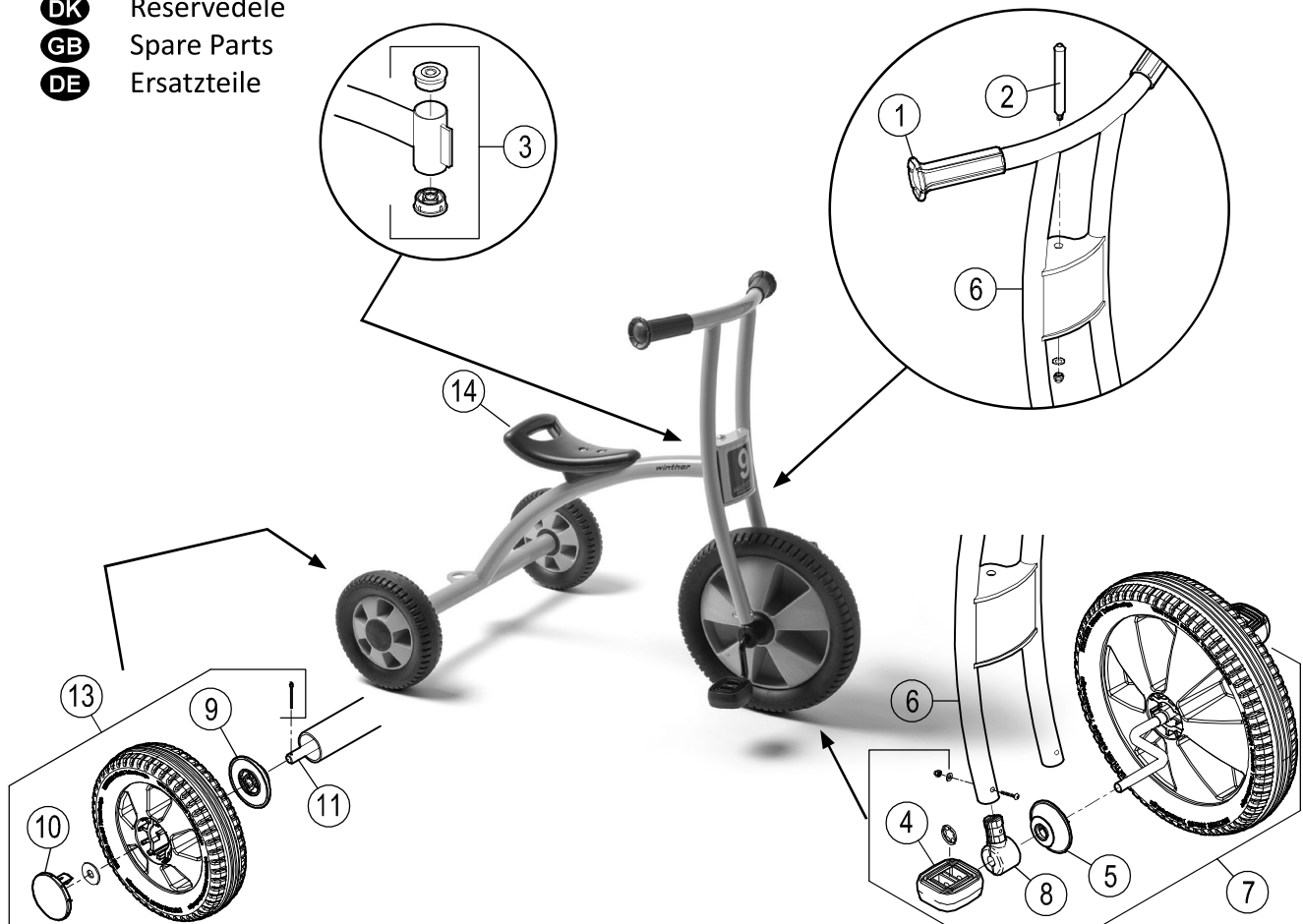


EN 71

ASTM F963



- DK** Reservedele
- GB** Spare Parts
- DE** Ersatzteile



| Pos. |                                | Pos. |                  |
|------|--------------------------------|------|------------------|
| 1    | x2                             | 8    | x2     x2     x1 |
| 2    | x1     x2     x1     x1     x1 | 9    | x2               |
| 3    | x2                             | 10   | x2               |
| 4    | x2     x2                      | 11   | x1     x2        |
| 5    | x2                             | 12   |                  |
| 6    |                                | 13   |                  |
| 7    |                                | 14   |                  |

# 552.50

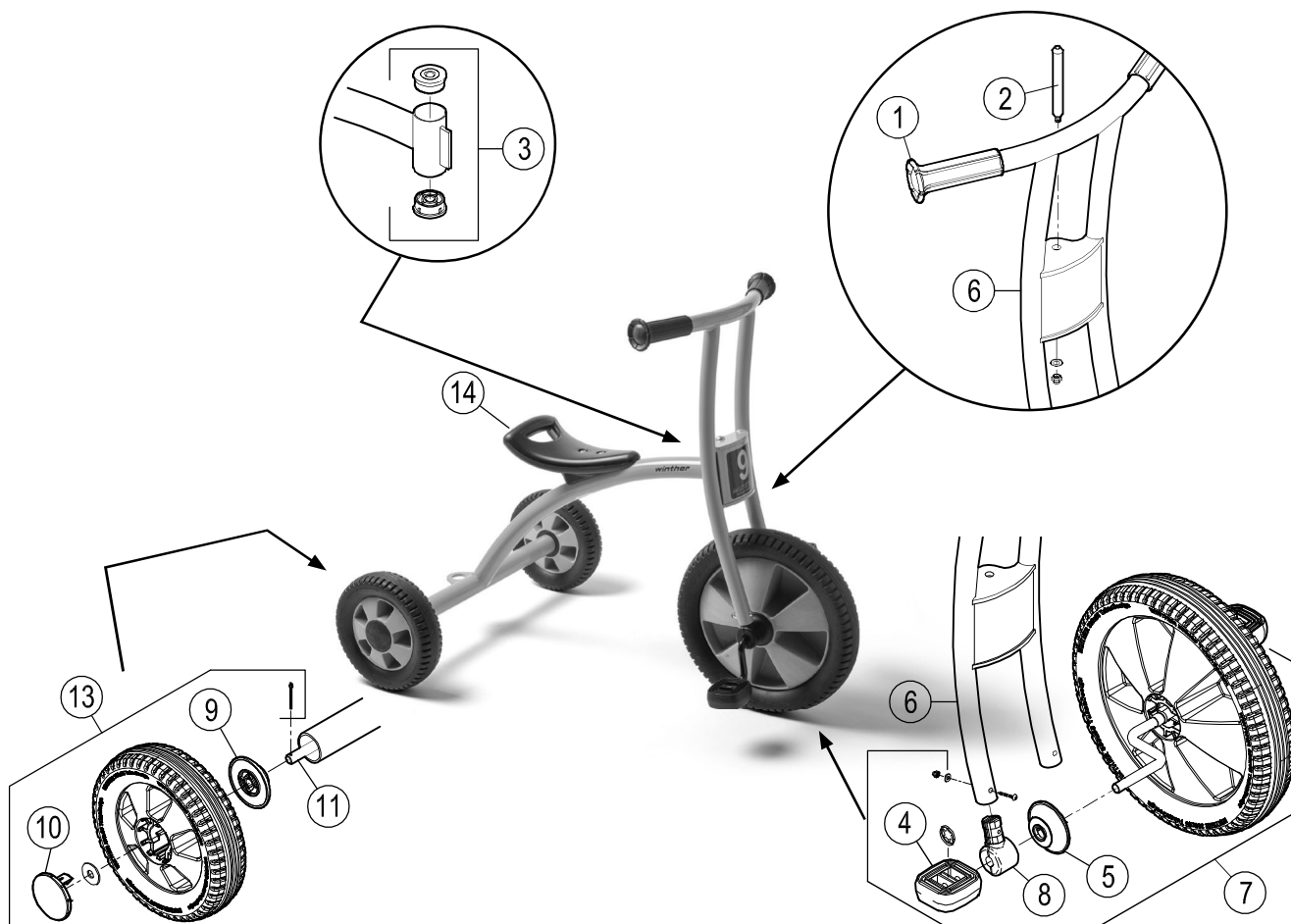


EN 71

ASTM F963



- DK** Reservedele
- GB** Spare Parts
- DE** Ersatzteile



| 552.50  |       |  |  |  |  |
|---------|-------|--|--|--|--|
| Version |       |  |  |  |  |
| Pos.    | 1.0   |  |  |  |  |
| 1       | 50403 |  |  |  |  |
| 2       | 50401 |  |  |  |  |
| 3       | 50404 |  |  |  |  |
| 4       | 50410 |  |  |  |  |
| 5       | 50270 |  |  |  |  |
| 6       | 50272 |  |  |  |  |
| 7       | 50279 |  |  |  |  |
| 8       | 50406 |  |  |  |  |
| 9       | 50283 |  |  |  |  |
| 10      | 50284 |  |  |  |  |
| 11      | 50293 |  |  |  |  |
| 12      | -     |  |  |  |  |
| 13      | 50287 |  |  |  |  |
| 14      | 50480 |  |  |  |  |
| 15      | -     |  |  |  |  |

