



Terrasoft® EPDM Globe



Ø 750 mm



Ø 500 mm



Ø 400 mm



Ø 300 mm

The globe symbolizes dynamics - it is usually always on the move, never stopping. The Terrasoft globes made of EPDM rubber granulate just lie around, and nevertheless look good. The six different colours of high-quality EPDM rubber granules bring colour and fun to any surface. The surfaces are utterly durable. Used in groups, the globes give large areas an overall design edge by using them with a specific aim. Outside areas of kindergartens are as much like an impressive feature as inner-city areas or private gardens in which the globe is both a seating object and a design feature.

ADVANTAGES

- seating
- low maintenance
- robust
- extraordinary design feature
- Play element

APPLICATION

Whether in gardens or urban areas - the globe is versatile and makes a good impression everywhere. Purposely used, it can be seating and balancing course at the same time.



Terrasoft Globe Ø 500 mm
signalyellow



Terrasoft Globe Ø 400 mm
signalyellow



Terrasoft Globe Ø 300 mm
signalyellow

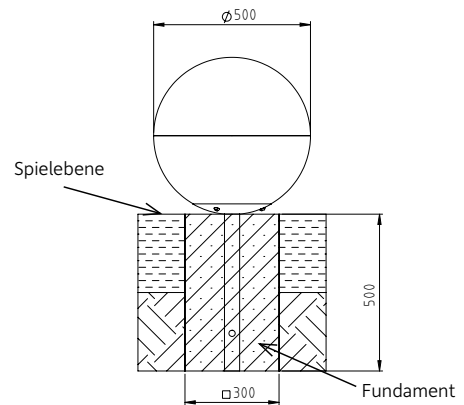


with Floor anchor
Item no. 353350109

Terrasoft® Globe (L x W x H) Ø 750 mm | EPDM Gummigranulat | Item no.: 353375xx1
 Terrasoft® Globe (L x W x H) Ø 500 mm | EPDM Gummigranulat | Item no.: 353350xx1
 Terrasoft® Globe (L x W x H) Ø 400 mm | EPDM Gummigranulat | Item no.: 353340xx1
 Terrasoft® Globe (L x W x H) Ø 300 mm | EPDM Gummigranulat | Item no.: 353330xx1



Globes embedded in concrete by means of the floor anchors.



INSTALLATION INSTRUCTIONS

Globes globe with Floor anchor:

The globes can be embedded with the ground anchor into the prepared concrete foundation to fix them permanently. The globe has to be on top of the floor. Take care that the ball is fully supported on a firm surface.

INSTALLATION INSTRUCTIONS

Select the play equipment location. Carry out excavation work for the foundation.

Set up the concrete foundation acc. to the dimensions indicated (belonging to diameter of the globe) with central, horizontal reinforcement (BST 500 S) in the quality class C 20/25. Put the floor anchor of the globe into the foundation. The globe has to lay on the play level. Take care that the foundation is a bit smaller than the diameter of the globe.

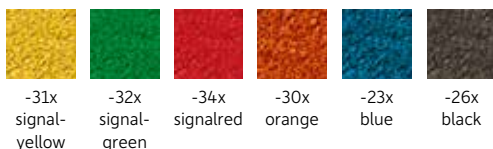
Do not allow children to use the equipment during the setting period of 8 – 10 days (depending on weather conditions and foundation size).



Fixation of Terrasoft floor anchor

Globe	Ø 300 mm	Ø 400 mm	Ø 500 mm	Ø 750 mm
Weight	12 kg	23 kg	38 kg	91 kg
Critical fall height	300 mm	400 mm	500 mm	750 mm
Impact area	Ø 3300 mm	Ø 3400 mm	Ø 3500 mm	Ø 3750 mm
Required safety slabs	12,25 m ²	12,25 m ²	12,25 m ²	16,0 m ²

Colours



Specifications



MAINTENANCE INSTRUCTIONS

Quarterly operative inspection:

Check the play and safety area for obvious safety hazards and cleanliness (e.g. exposed foundations, missing or damaged parts, missing or insufficient impact absorption, broken pieces, dirt etc.).

Check the play area for cleanliness and damages.

Protruding elements, if there are any, have to be removed. Check the installation depth. If necessary fill up the installation depth to the mark „play level“.

Check the equipment for cleanliness, correct functioning, wear, stability and damages. Check all the fixing elements and retighten them if necessary. In case of damages, replace the damaged elements.

Annual main inspection (in intervals of not more than 12 months):

In addition to the checks of the operative inspection, pay special attention to the stability of the equipment (which may be affected due to corrosion or vandalism) and its operational safety, especially after repair works or after mounting new elements or replacing existing elements. For that purpose, it may be necessary to uncover the foundations.

Attention!

The maintenance intervals mentioned above are to be understood as recommendations. The frequency of inspections has to be increased accordingly in case of intensive use of the equipment, extreme weather conditions, installations near the coast or in places which are often subject to vandalism and depending on the age of the equipment.

In addition to the maintenance recommendations given by the manufacturer, it is also absolutely necessary to follow the regulations stipulated in DIN EN 1176-7!

When exchanging or repairing elements, please always use original spare parts for the sake of operational safety and for liability reasons!

If the play equipment has been incompletely installed or partly dismantled when carrying out maintenance and repair work, this may lead to particular risks of injury for the user. For this reason, make clearly visible that the equipment shall not be used in such cases!

We recommend our basic cleaner.