



YAŞ
AGE



GERİ DÖNÜŞÜM
RECYCLE



DENGE
BALANCE



TIRMANMA
CLIMBING

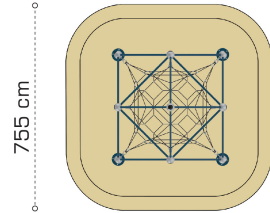
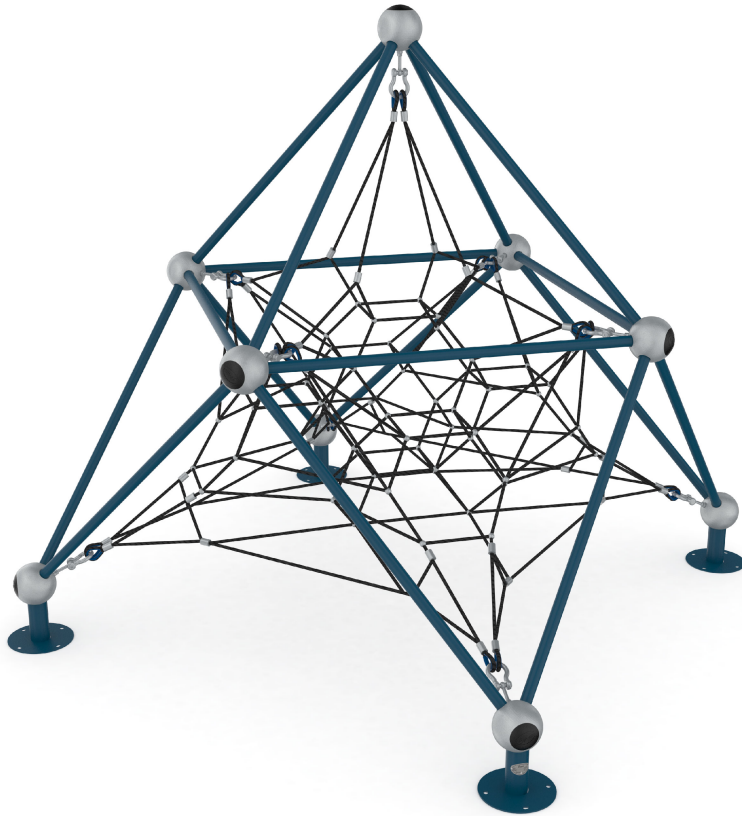


DUŞME YÜKSEKLİĞİ
FALL HEIGHT



KAPASİTE
CAPACITY

Cemer®



755 cm

755 cm

GÜVENLİK ALANI
SAFETY AREA

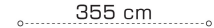


355 cm

YAN GÖRÜNÜŞ
SIDE VIEW

ZEMİN ÇİZGİSİ
GROUND LINE

360 cm



355 cm

ÖN GÖRÜNÜŞ
FRONT VIEW

ZEMİN ÇİZGİSİ
GROUND LINE

360 cm

175 cm



YAŞ
AGE



GERİ DÖNÜŞÜM
RECYCLE



DENGE
BALANCE



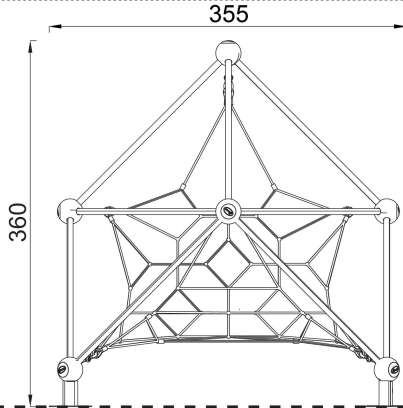
TIRMANMA
CLIMBING



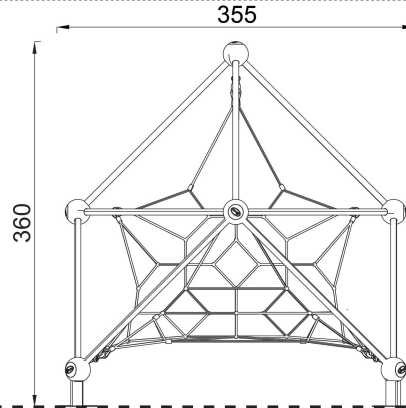
DÜŞME YÜKSEKLİĞİ
FALL HEIGHT



KAPASİTE
CAPACITY

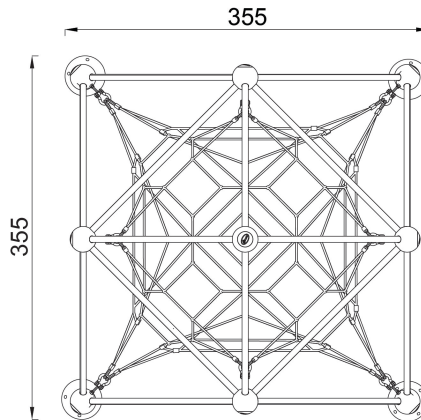


ÖN GÖRÜNÜŞ / FRONT VIEW



YAN GÖRÜNÜŞ / SIDE VIEW

ZEMİN ÇİZGİSİ / GROUND LINE



ÜST GÖRÜNÜŞ / TOP VIEW

Product Specification

Net Climbers

Pyramid

Armed Rope:



- Own production polyamide 6 (nylon) and braided armed ropes are used to construct a net climber.
- Each armed rope has 6 strands, and these strands are built on a core. Each strand is built with braided polyamide on steel wires. The core of the rope can either fiber or steel depending on the loading requirement.
- The armed rope is manufactured with 3 diameters; 16, 18 and 20 mm. Please see the chart below use of the ropes

20 mm.	Pyramid 3D systems higher than 4m.
18 mm.	Pyramid 3D systems lower than 4m., frame nets (SGM) Net trampoline, tensegrity AGWS systems
16 mm.	Net carousels and 2D accessories to be used at any playground

- Breakpoints of ropes mentioned above are as follows.

20 mm. FC	5760 Kgs	20 mm. IWRC	7940 Kgs
18 mm. FC	5000 Kgs.	18 mm. IWRC	6521 Kgs.
16 mm. FC	3980 Kgs.	16 mm IWRC	5820 Kgs.

Note: FC (Fiber Core) IWRC (Steel Core)

- Armed ropes have UV resistance and Flame Retardancy.

Main Mast (Post):



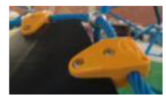
- Metal masts are made of ST37 steel.
- Metal finish consists 3-layer execution,
 - Shot Blasting
 - Zinc-Rich Primer Coating
 - Powder Coating
- Please see the chart below for mast wall thickness and diameter;

60 mm	SGM 1004, SGM 1005, SGM 1006, SGM 1007, SGM 1007-1A
114 mm	SG 1002, SG 1004, SG 1013, SG 1019, SG 2013 A3, SGM 1007
140 mm	SG 1001, SG 1004, SG 1011 A5, SG 1014, SG 1015, SG 2006 A5, SG 2007, SG 3001, SG 3005, SG 4001, SG 4002, SGM 1002, SGM 1009 A6, SGM 1010 A6, SGM 2002, SG 1004
165 mm	SG 1003, SG 1005, SG 1009 A6, SG 1010 A6, SG 2001, SG 2002, SG 2004, SG 3003, SG 3005, SG 4002, SG 4006, SGM 1001, SGM 1002, SGM 1003, SGM 1011, SGM 1013, SGM 1015, SGM 1016 D, SGM 1017, SGM 1018, SGM 1019, SGM 1020D, SGM 1022 D, SGM 1026, SGM 2003, SG 1012 A5, SG 2005
220 MM	SG 1006 SG 1007

- Tensegrity climbers have additional masts.

****Notes: Diameter indicates the carrying masts.**

Rubber and Holder:



- The main post is surrounded by textile-reinforced flexible rubber with the thickness of 16 mm. To fill openings in the net and prevents entrapments. This rubber is also to stabilize the product in the center and secured with injection technique polyamide six (NYLON) rubber grippers to the 1st floor of the products. (If necessary it is used at different levels)

Assembly Plates:



- Two types of ST 37 steel plates are in use at the construction of pyramid nets for corners and cocoon for the main mast.
- For tensegrity products, there are additional base plates fixed to side masts, and these plates allow sides masts to move to reduce the tension at welding points.
- Corner connection plates must include multi-connection points for to obtain adjustable strain.
- Centre cocoon has a wider diameter than the main mast, and square sheet widens as mast gets higher Use of this cocoon eliminates the tension on at welding points.
- On both plates, there are fixing points to be anchored to concrete slabs.

Turnbuckles:



- These shall be steel alloy that ensures a maximum load of over 15 tones force along the central axis.

Corner Assembly Plates Cover:



- It is made of polyethylene to cover base plates which are located at corners.
- Base plate cover is made of polyethylene and manufactured via Rotational molding.

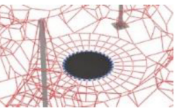
Fittings (Aluminum ferrule)



- Fittings are made of one single structure.
- Fittings are swaged by applying 150 -170 tones force and prevent ropes from moving.
- Fittings are aluminum casting.
- Each fitting model size change according to diameter of the rope



Reinforced Rubber



- Jumping Rubber is made of 13 mm. Thick rubber and 4 layers of textile cord inside to avoid tearing during use.
- The main post is surrounded by textile-reinforced flexible rubber with the thickness of 16 mm. to fill openings in the net and prevents entrapments.

Thimble & Omega Lock



- This equipment is made of steel alloy to provide integrity of the products where nets meet with assembly plates.

Cast covers for Main Mast:



- It is manufactured according to the main post diameters.
- It is aluminum cast.
- Bedding channels in the cover system keep the rope tight and stable.

General Notes

- $\pm 5\%$ deviation may occur in the size and weight of products within the range.
- CEMER keeps rights to make any technical and price changes.