
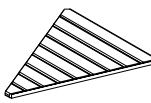


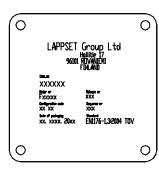
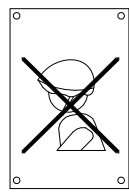
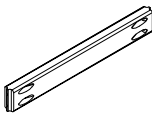
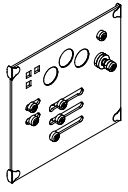
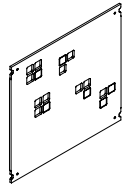
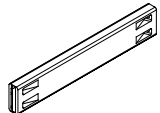

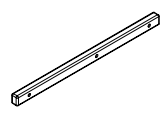
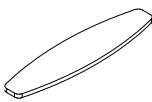
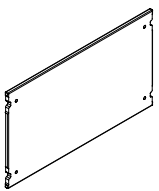
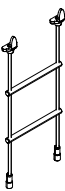
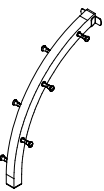
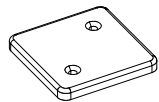

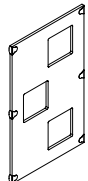
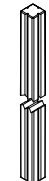
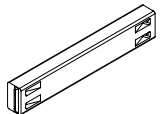
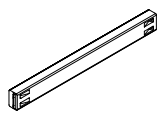
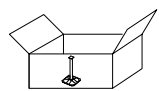
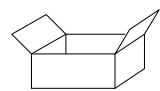
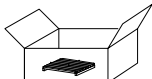
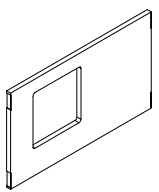
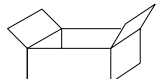
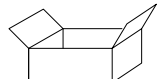
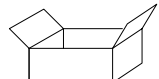
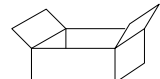
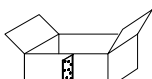
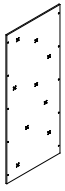


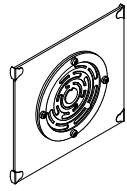

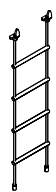
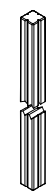



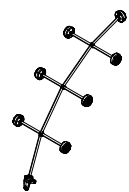
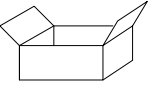

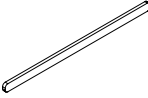
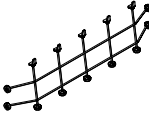
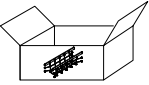
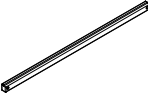
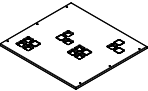
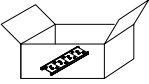

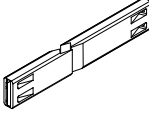

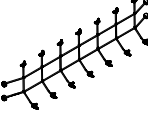

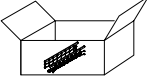


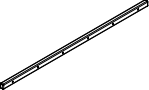
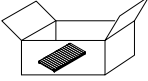
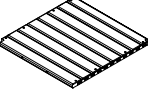
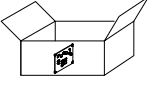
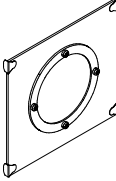
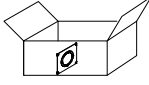
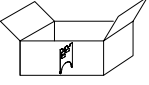
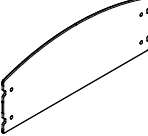
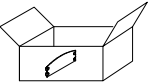
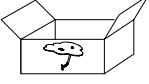
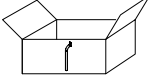
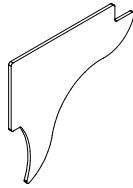
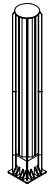
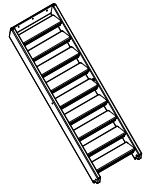

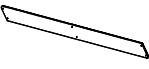
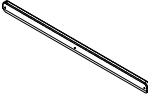
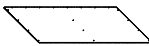
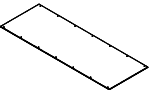


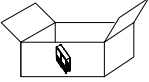
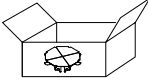
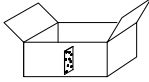
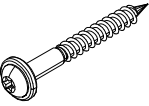
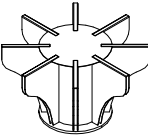
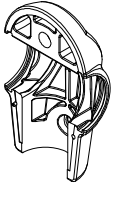
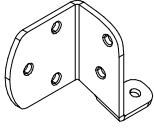
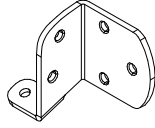
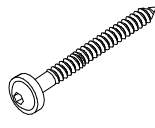

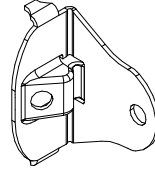
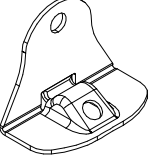
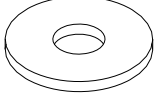
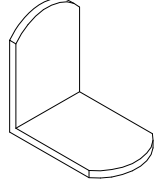
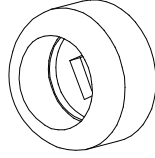
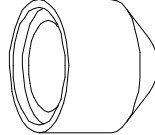
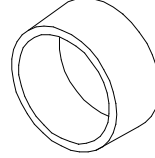
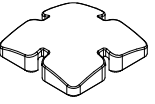
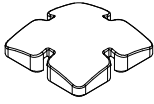
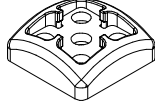
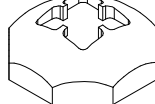
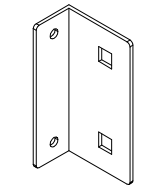
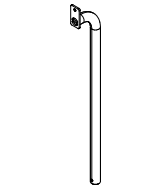
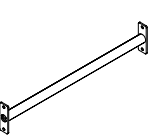
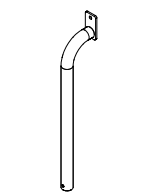
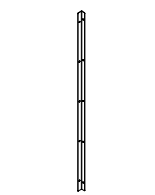
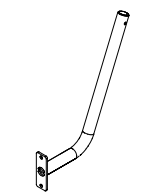
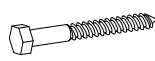
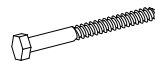
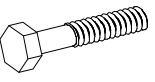
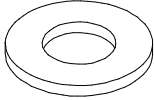
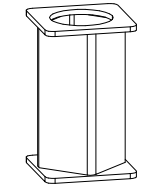
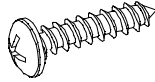
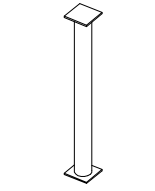
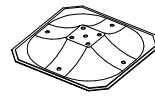
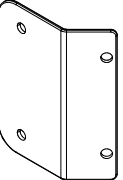
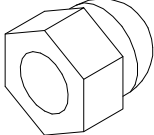
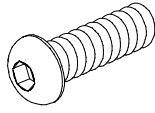


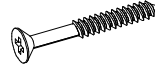
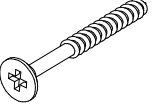
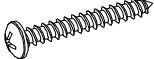
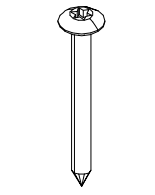
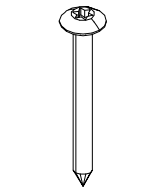
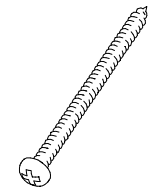
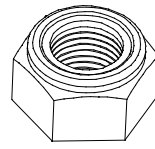


DATE: 14.9.2017

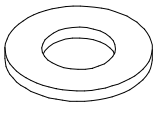
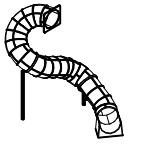

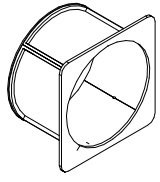


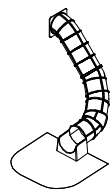

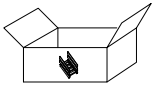
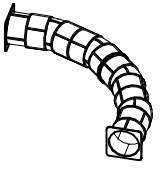

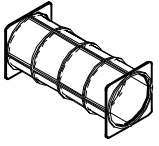

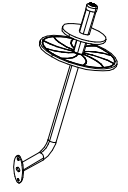

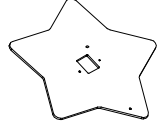
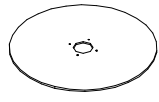
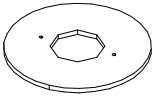
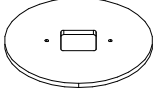
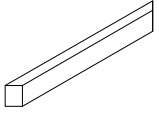
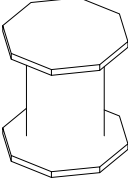


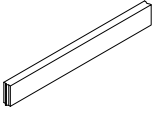


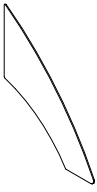
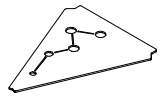




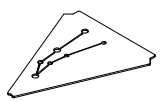

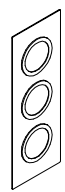
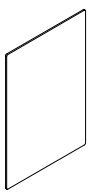
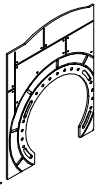
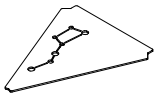
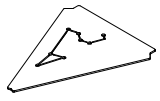
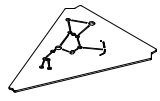

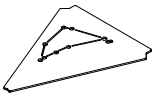
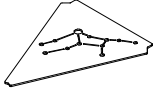

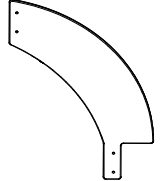
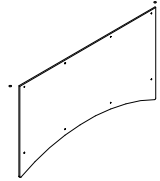
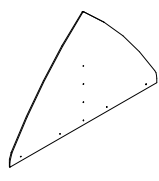
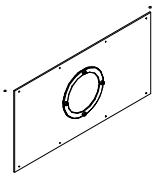
008986  750x750	PCS 9	700400  700400	PCS 23	701401  L 1250	PCS 1	701665  45x95x555	PCS 1	702286  65x65	PCS 2	702339  118x78	PCS 2
703338  L 704 H 95	PCS 2	705705-701  10x640x702	PCS 1	706436-701  10x640x702	PCS 2	706439  L 704	PCS 178	706441  93x93x1550	PCS 2	706443  32x45x702	PCS 43
706453  15x145x600	PCS 5	706461  15x400x703	PCS 4	706473-304  70x120x704	PCS 1	706475  1387x1020x325	PCS 1	706481-706  83x83x10	PCS 4	706499  93x93x860	PCS 2
706507-705  706507-705	PCS 1	706511  93x93x1870	PCS 5	706512  70x120x704	PCS 26	706514  70x120x1504	PCS 11	706531  706531	PCS 60	706534  706534	PCS 9
706535  706535	PCS 9	706540  20x702x415	PCS 4	706546  706546	PCS 2	706557  706557	PCS 4	706558  706558	PCS 1	706607  706607	PCS 1
706609  706609	PCS 1	706646  12x686x1660	PCS 1	706662  93x93x2600	PCS 1	706669  93x93x2400	PCS 1	706766-701  706766-701	PCS 2	706778  706778	PCS 2
706780-301  706780-301	PCS 1	706788  93x93x3700	PCS 16	706790  93x93x3500	PCS 17	706871  95x1005x1365	PCS 1	706872  95x1005x1365	PCS 1	706873  1455x505	PCS 1


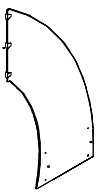
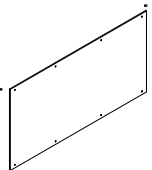

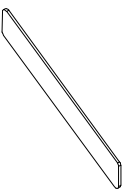

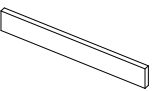
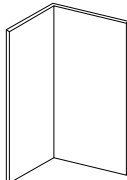
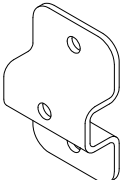


706877	PCS 1		707154	PCS 3		93x93x900	707255	PCS 2		45x120x2480	707260	PCS 2		2375x600	707268	PCS 1		707271	PCS 2		70x95x2480		
707272	PCS 4		15x630x590	707284	PCS 1		707331	PCS 12		93x93x470	707374	PCS 8		L 1504	707412	PCS 2		45x120x3280	707413	PCS 2		800x3140	
707415	PCS 1		707417	PCS 1		707435	PCS 4		750x770	707436	PCS 1		750x770	707437	PCS 5		32x45x1502	707440	PCS 3				
707441	PCS 1		750x770	707449	PCS 1		707453	PCS 14		10x640x702	707454	PCS 14		707470	PCS 11		707647	PCS 12		8x280x700			
707651	PCS 12		707665	PCS 2		707732	PCS 34		707757	PCS 8		21x926x1020	707769	PCS 1		707772	PCS 1		700x120x2000				
707778	PCS 2		45x95x1950	707779	PCS 4		15x145x2086	707780	PCS 2		45x120x2045	707788	PCS 2		8x695x1955	707789	PCS 1		8x897x2632	707806-704	PCS 4		15x1095x1095
707811	PCS 8		140x140x2420	707871	PCS 1		707872	PCS 1		708046	PCS 1		900240	PCS 327		Ø8x70	900436	PCS 1		Ø924x512			

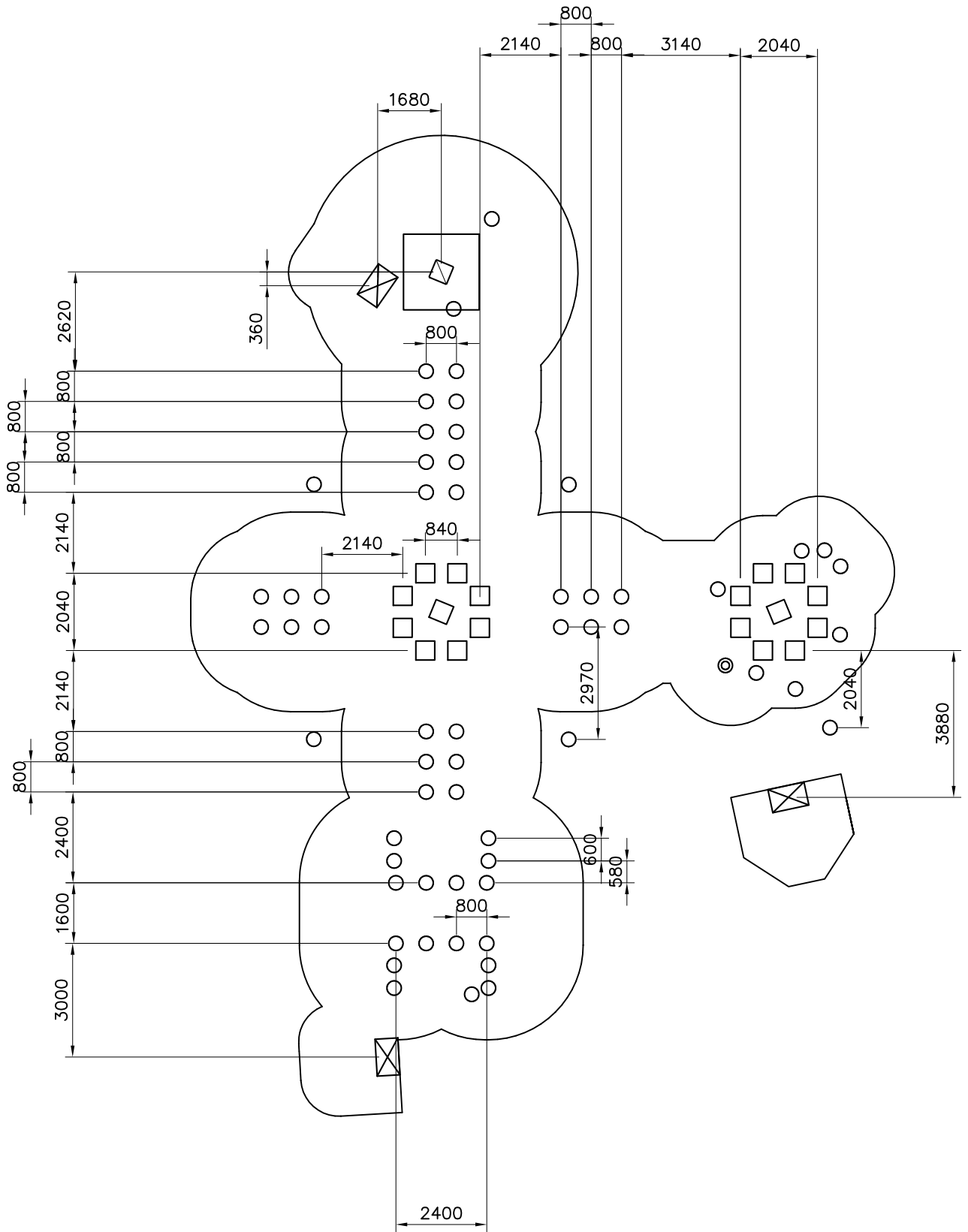
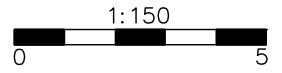
DATE: 14.9.2017

901902  30.7x60.9x100	PCS 8	902439  Left Hand	PCS 1	902474  Right Hand	PCS 1	903093  Ø8x90	PCS 1144	903112  L750	PCS 18	903176  12	PCS 12
903215 	PCS 32	905051  Ø24/8.4	PCS 68	905071 	PCS 8	905083  Ø32	PCS 48	905104 	PCS 216	905112  Ø22	PCS 48
905138  GRAY	PCS 38	905139  BLACK	PCS 4	905196  GRAY	PCS 38	905197  BLACK	PCS 4	907110 	PCS 72	907688-216  12	PCS 12
907694-216  L 704	PCS 8	907701-216  22	PCS 22	907770  2x35/40x1659	PCS 2	908207-216  336x392x40	PCS 2	909217  8x70	PCS 60	909238  8x90	PCS 8
909247  M8x45	PCS 24	909256  Ø16/8.4	PCS 572	909491  L 150	PCS 4	909506  Ø3.5x13	PCS 8	909511  90x90x650	PCS 60	909519  50x380x380	PCS 60
909524  140x110	PCS 48	909633  M8	PCS 296	909850  M8x25	PCS 236	909852  M8x30	PCS 60	980101  Ø4.5x70	PCS 184	980102  Ø5x40	PCS 72
980107  Ø6x60	PCS 24	980114  Ø4x20	PCS 8	980123  Ø7x60	PCS 440	980128  Ø7x40	PCS 237	980131  6x60	PCS 168	980150  M8	PCS 24

DATE: 14.9.2017

980151  Ø16/8.4	PCS 48	A10007-1  	PCS 1	A10013-1  	PCS 4	A10016 	PCS 1	A10026  	PCS 1	A10054 	PCS 1
A10185  	PCS 4	A10186  	PCS 4	AM0097  	PCS 4	P00072 	PCS 2	P00677 	PCS 1	P00678 	PCS 2
P00679  Ø420x15	PCS 4	P06520  45x95x778	PCS 20	P07312  L150	PCS 1	P10058  93x93x3500	PCS 3	P10066  93x93x1025	PCS 4	P10068  45x120x970	PCS 63
P10069  140x140x1550	PCS 2	P10070  L 5850	PCS 10	P10071 	PCS 24	P10072 	PCS 1	P10073 	PCS 8	P10074 	PCS 4
P10075 	PCS 4	P10076 	PCS 4	P10077 	PCS 1	P10078 	PCS 8	P10080 	PCS 21	P10081  10x702x1040	PCS 2
P10082 	PCS 3	P10083 	PCS 1	P10084 	PCS 1	P10085 	PCS 1	P10086 	PCS 1	P10087 	PCS 1
P10088 	PCS 1	P10089  32x45x750	PCS 46	P10122-701  10x678x692	PCS 16	P10123-701 	PCS 2	P10124-705 	PCS 2	P10127-701 	PCS 3

P10132-705	PCS 8	P10133-706	PCS 4	P10135-701	PCS 1	P10166	PCS 8	P10326	PCS 1	P10327	PCS 4
											
								+600		15x145x1082	
P11506	PCS 4	P11518	PCS 1	P11520	PCS 8	PK0060	PCS 4	PM0282	PCS 110	PO0577	PCS 8
		140x140x4200		140x140x5310							
						25x95x704					
PO0587	PCS 8	PP0256	PCS 6		PCS		PCS		PCS		PCS
											
	PCS		PCS		PCS		PCS		PCS		PCS
	PCS		PCS		PCS		PCS		PCS		PCS
	PCS		PCS		PCS		PCS		PCS		PCS




- EN/AS Impact Area 208 m<sup>2</sup>
- - - - Falling Space 209.5 m<sup>2</sup>  
Max Falling Height 2570 mm

