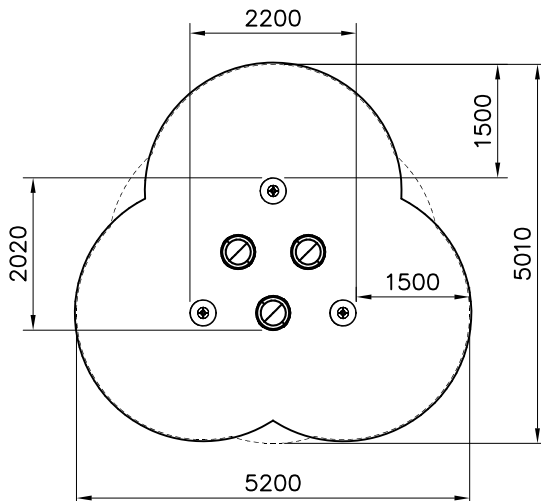
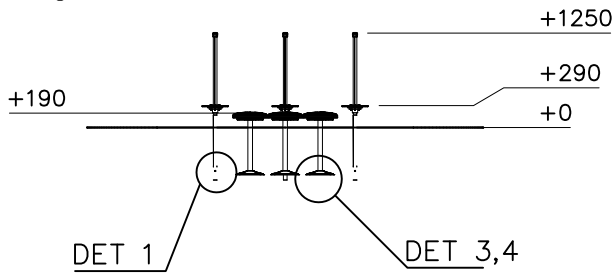
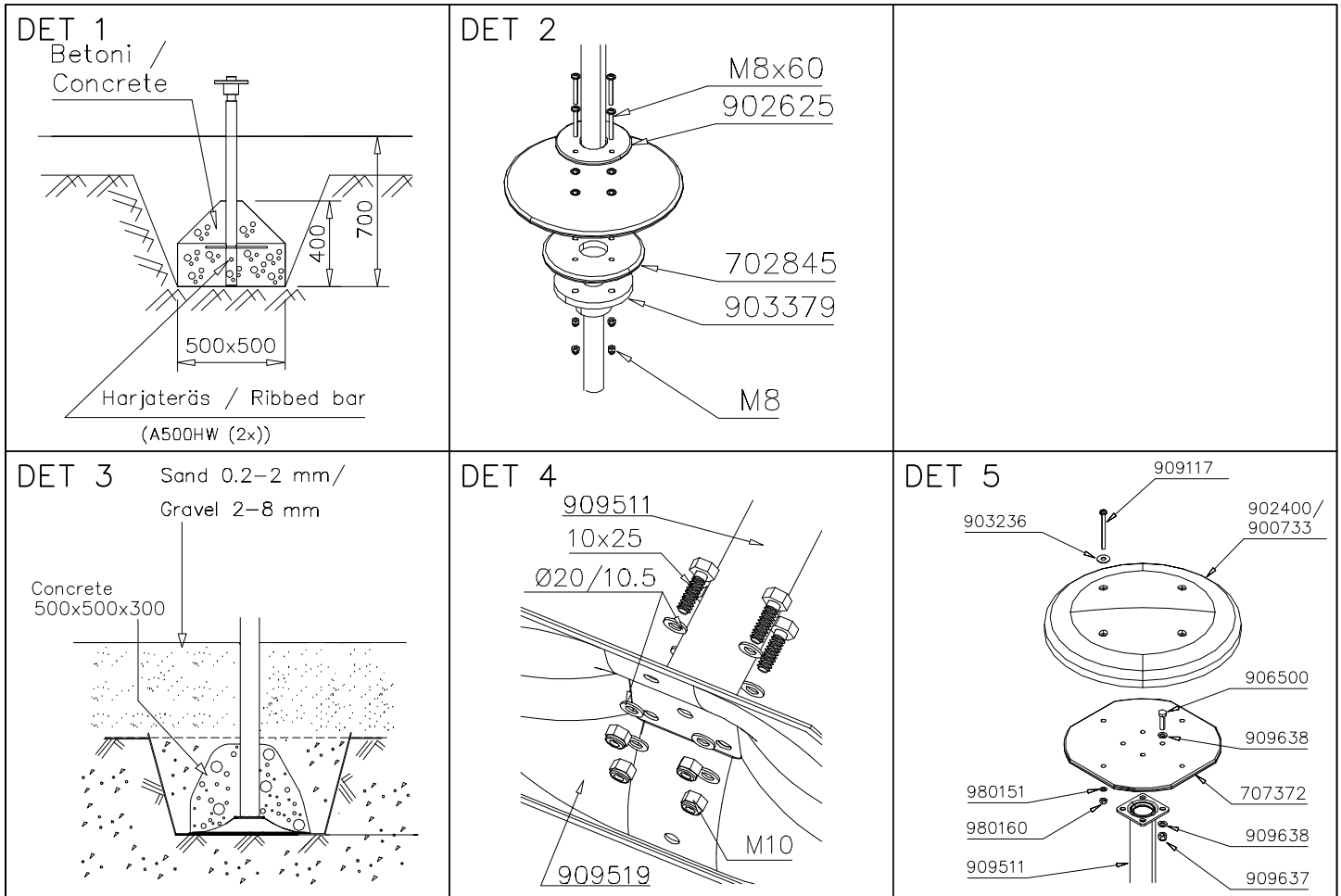


EN/AS Impact area 19.5 m²
Falling height area 19.7 m²
Max falling height 290 mm



① 702341	PCS	② 702844	PCS
	1		3
③ 702845	PCS	④ 902625	PCS
	3		3
⑤ 903562	PCS	⑥ 909633	PCS
	3		12
⑦ 909866	PCS	⑧ 707371	PCS
	12		3
M8x60			
	PCS		PCS
	PCS		PCS
	PCS		PCS
	PCS		PCS



1: 50

